

## Quarter turn actuators DAPS

**FESTO**






## Characteristics

### General information

→ Page 9, 24

#### DAPS

-  Size  
0008 ... 8000
-  Torque  
8 ... 8000 Nm
-  Swivel angle  
0 ... 90°

The quarter turn actuators DAPS are specially tailored to the requirements of the process industry. The torque is generated via a scotch yoke mechanism, which helps to overcome the valve's high breakaway torques. Given their robustness and graduated torques, the quarter turn actuators DAPS are predominantly used to control valves through which various media flow and whose rotation angle is limited to 90°, e.g. ball valves and butterfly valves.

- Compact design
- Torque characteristics adapted to process valves
- The single-acting actuator has half the torque of the double-acting actuator for the same housing size
- Low wear thanks to the simple and robust mechanical system
- Adjustable swivel angle
- Selected types in accordance with the ATEX directive for potentially explosive atmospheres
- → [www.festo.com/en/ex](http://www.festo.com/en/ex)





- Connection pattern to NAMUR VDI/VDE 3845 for mounting solenoid valves



### High-temperature version

→ Page 9, 24

#### DAPS T4

-  Size  
0015 ... 0960
-  Torque  
15 ... 960 Nm
-  Swivel angle  
0 ... 90°
-  Temperature range  
-20 ... +150°

The high-temperature version of the quarter turn actuator DAPS-T4 is specifically designed for the requirements for controlling process valves used with hot media flows.




- Compact design
- Torque characteristics adapted to process valves
- The single-acting actuator has half the torque of the double-acting actuator for the same housing size
- Low wear thanks to the simple and robust mechanical system
- Adjustable swivel angle

- Selected types in accordance with the ATEX directive for potentially explosive atmospheres
- → [www.festo.com/en/ex](http://www.festo.com/en/ex)
- Connection pattern to NAMUR VDI/VDE 3845 for mounting solenoid valves

### Stainless-steel version

→ Page 41

#### DAPS CR

-  Size  
0015 ... 0480
-  Torque  
15 ... 480 Nm
-  Swivel angle  
0 ... 90°

Single-acting and double-acting quarter turn actuators DAPS in stainless steel are used for automating valves with a 90° swivel angle. The single-acting variant has different spring forces for different supply pressures.

- Low wear thanks to the simple and robust mechanical system
- Torque characteristics adapted to process valves
- Selected types in accordance with the ATEX directive for potentially explosive atmospheres
- → [www.festo.com/en/ex](http://www.festo.com/en/ex)




- Connection pattern to NAMUR VDI/VDE 3845 for mounting solenoid valves



### Version with handwheel

→ Page 54

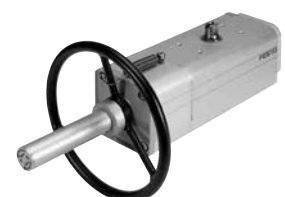
#### DAPS MW

-  Size  
0106 ... 1920
-  Torque  
106 ... 1920 Nm
-  Swivel angle  
0 ... 90°

When the supply pressure is switched off, the handwheel can be used to manually change the position of the valve or actuator. The handwheel therefore acts as a manual emergency override.

- Low wear thanks to the simple and robust mechanical system
- Torque characteristics adapted to process valves
- Selected types in accordance with the ATEX directive for potentially explosive atmospheres
- → [www.festo.com/en/ex](http://www.festo.com/en/ex)

- Connection pattern to NAMUR VDI/VDE 3845 for mounting solenoid valves



## Product range overview

| Flange hole pattern – Connection dimensions to DIN ISO 5211 and NAMUR VDI/VDE 3845 |         |         |         |         |         |         |         |         |         |              |
|--|---------|---------|---------|---------|---------|---------|---------|---------|---------|--------------|
| Connection Square  | F03 T11 | F03 T11 | F04 T11 | F04 T14 | F05 T11 | F05 T14 | F05 T17 | F07 T14 | F07 T17 | Shaft height |
| DAPS-0008-...-F03  | ■       | -       | -       | -       | -       | -       | -       | -       | -       | 20           |
| DAPS-0015-...-F03  | -       | ■       | -       | -       | -       | -       | -       | -       | -       | 20           |
| DAPS-0015-...-F04  | -       | -       | ■       | -       | -       | -       | -       | -       | -       | 20           |
| DAPS-0030-...-F0305  | -       | ■       | -       | -       | ■       | -       | -       | -       | -       | 20           |
| DAPS-0030-...-F04  | -       | -       | ■       | -       | -       | -       | -       | -       | -       | 20           |
| DAPS-0060-...-F04  | -       | -       | -       | ■       | -       | -       | -       | -       | -       | 20           |
| DAPS-0060-...-F0507  | -       | -       | -       | -       | -       | ■       | -       | ■       | -       | 20           |
| DAPS-0106-...-F0507  | -       | -       | -       | -       | -       | -       | ■       | -       | ■       | 20           |
| Hole pattern for NAMUR accessories   | 30      | 30      | 30      | 30      | 30      | 30      | 30      | 30      | 30      |              |
|  | 30      | 80      | 80      | 80      | 80      | 80      | 80      | 80      | 80      |              |

| Flange hole pattern – Connection dimensions to DIN ISO 5211 and NAMUR VDI/VDE 3845 |         |         |         |         |         |         |         |         |         |         |         |         |              |
|--|---------|---------|---------|---------|---------|---------|---------|---------|---------|---------|---------|---------|--------------|
| Connection Square  | F07 T22 | F10 T22 | F10 T27 | F12 T27 | F10 T36 | F12 T36 | F12 T46 | F14 T36 | F14 T46 | F16 T46 | F16 T46 | F25 T55 | Shaft height |
| DAPS-0180-...-F0710  | ■       | ■       | -       | -       | -       | -       | -       | -       | -       | -       | -       | -       | 30           |
| DAPS-0240-...-F0710  | ■       | ■       | -       | -       | -       | -       | -       | -       | -       | -       | -       | -       | 30           |
| DAPS-0360-...-F0710  | ■       | ■       | -       | -       | -       | -       | -       | -       | -       | -       | -       | -       | 30           |
| DAPS-0480-...-F1012  | -       | -       | ■       | ■       | -       | -       | -       | -       | -       | -       | -       | -       | 30           |
| DAPS-0720-...-F1012  | -       | -       | ■       | ■       | -       | -       | -       | -       | -       | -       | -       | -       | 30           |
| DAPS-0960-...-F1012  | -       | -       | -       | -       | ■       | ■       | -       | -       | -       | -       | -       | -       | 30           |
| DAPS-0960-...-F12  | -       | -       | -       | -       | -       | ■       | -       | -       | -       | -       | -       | -       | 30           |
| DAPS-0960-...-F14  | -       | -       | -       | -       | -       | -       | -       | ■       | -       | -       | -       | -       | 30           |
| DAPS-1440-...-F12  | -       | -       | -       | -       | -       | ■       | -       | -       | -       | -       | -       | -       | 30           |
| DAPS-1440-...-F14  | -       | -       | -       | -       | -       | -       | -       | ■       | -       | -       | -       | -       | 30           |
| DAPS-1920-...-F14  | -       | -       | -       | -       | -       | -       | -       | -       | ■       | -       | -       | -       | 30           |
| DAPS-1920-...-F1216  | -       | -       | -       | -       | -       | -       | ■       | -       | -       | ■       | -       | -       | 30           |
| DAPS-2880-...-F16  | -       | -       | -       | -       | -       | -       | -       | -       | -       | -       | ■       | -       | 30           |
| DAPS-3840-...-F16  | -       | -       | -       | -       | -       | -       | -       | -       | -       | -       | ■       | -       | 30           |
| DAPS-5760-...-F25  | -       | -       | -       | -       | -       | -       | -       | -       | -       | -       | -       | ■       | 30           |
| DAPS-8000-...-R-F25  | -       | -       | -       | -       | -       | -       | -       | -       | -       | -       | -       | ■       | 30           |
| Hole pattern for NAMUR accessories   | 30      | 30      | 30      | 30      | 30      | 30      | 30      | 30      | 30      | 30      | 30      | 30      |              |
|  | 80      | 80      | 80      | 80      | 80      | 80      | 80      | 80      | 80      | 80      | 130     | 130     |              |

Product range overview

| Flange hole pattern – Connection dimensions to DIN ISO 5211 and NAMUR VDI/VDE 3845 |            |            |            |            |            |            |            |            |              |
|--|------------|------------|------------|------------|------------|------------|------------|------------|--------------|
| Connection Square  | F03<br>T11 | F04<br>T11 | F04<br>T14 | F05<br>T11 | F05<br>T14 | F05<br>T17 | F07<br>T14 | F07<br>T17 | Shaft height |
| DAPS-0015-...-F0305  | ■          | -          | -          | ■          | -          | -          | -          | -          | 20           |
| DAPS-0015-...-F04  | -          | ■          | -          | -          | -          | -          | -          | -          | 20           |
| DAPS-0030-...-F04  | -          | -          | ■          | -          | -          | -          | -          | -          | 20           |
| DAPS-0030-...-F0507  | -          | -          | -          | -          | ■          | -          | ■          | -          | 20           |
| DAPS-0053-...-F0507  | -          | -          | -          | -          | -          | ■          | -          | ■          | 20           |
| Hole pattern for NAMUR accessories   | 30         | 30         | 30         | 30         | 30         | 30         | 30         | 30         |              |
|  | 80         | 80         | 80         | 80         | 80         | 80         | 80         | 80         |              |

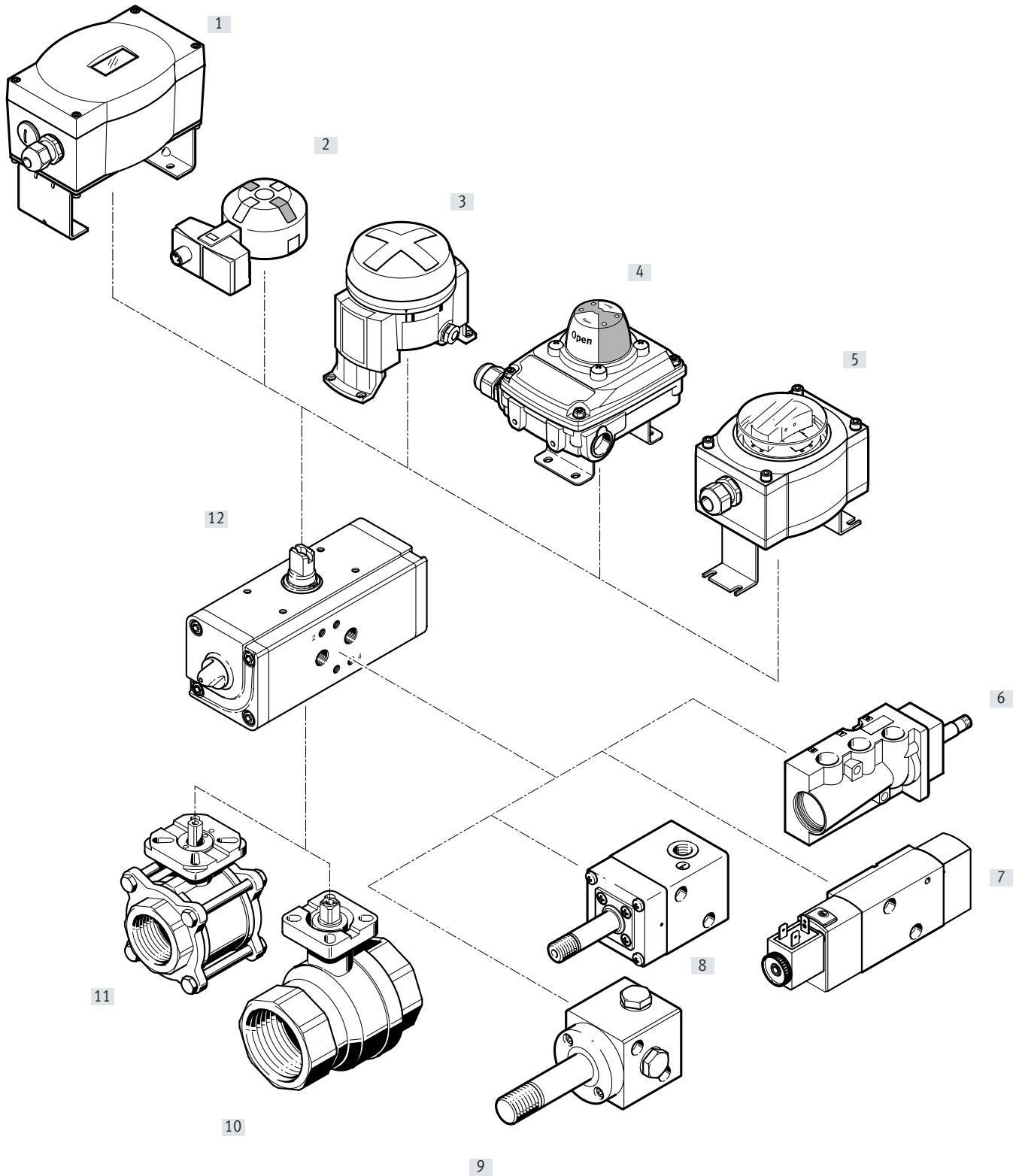
| Flange hole pattern – Connection dimensions to DIN ISO 5211 and NAMUR VDI/VDE 3845 |            |            |            |            |            |            |            |            |            |            |            |              |
|--|------------|------------|------------|------------|------------|------------|------------|------------|------------|------------|------------|--------------|
| Connection Square  | F07<br>T22 | F10<br>T22 | F10<br>T27 | F12<br>T27 | F10<br>T36 | F12<br>T36 | F12<br>T46 | F14<br>T36 | F14<br>T46 | F16<br>T46 | F16<br>T46 | Shaft height |
| DAPS-0090-...-F0710  | ■          | ■          | -          | -          | -          | -          | -          | -          | -          | -          | -          | 30           |
| DAPS-0120-...-F0710  | ■          | ■          | -          | -          | -          | -          | -          | -          | -          | -          | -          | 30           |
| DAPS-0180-...-F0710  | ■          | ■          | -          | -          | -          | -          | -          | -          | -          | -          | -          | 30           |
| DAPS-0240-...-F1012  | -          | -          | ■          | ■          | -          | -          | -          | -          | -          | -          | -          | 30           |
| DAPS-0360-...-F1012  | -          | -          | ■          | ■          | -          | -          | -          | -          | -          | -          | -          | 30           |
| DAPS-0480-...-F1012  | -          | -          | -          | -          | ■          | ■          | -          | -          | -          | -          | -          | 30           |
| DAPS-0480-...-F12  | -          | -          | -          | -          | -          | ■          | -          | -          | -          | -          | -          | 30           |
| DAPS-0480-...-F14  | -          | -          | -          | -          | -          | -          | -          | ■          | -          | -          | -          | 30           |
| DAPS-0720-...-F12  | -          | -          | -          | -          | -          | ■          | -          | -          | -          | -          | -          | 30           |
| DAPS-0720-...-F14  | -          | -          | -          | -          | -          | -          | -          | ■          | -          | -          | -          | 30           |
| DAPS-0960-...-F14  | -          | -          | -          | -          | -          | -          | -          | -          | ■          | -          | -          | 30           |
| DAPS-0960-...-F1216  | -          | -          | -          | -          | -          | -          | ■          | -          | -          | ■          | -          | 30           |
| DAPS-1440-...-F16  | -          | -          | -          | -          | -          | -          | -          | -          | -          | -          | ■          | 30           |
| DAPS-1920-...-F16  | -          | -          | -          | -          | -          | -          | -          | -          | -          | -          | ■          | 30           |
| DAPS-2880-...-F16  | -          | -          | -          | -          | -          | -          | -          | -          | -          | -          | ■          | 30           |
| DAPS-4000-...-RS1-F25  | -          | -          | -          | -          | -          | -          | -          | -          | -          | -          | ■          | 30           |
| DAPS-4000-...-RS2-F25  | -          | -          | -          | -          | -          | -          | -          | -          | -          | -          | ■          | 30           |
| DAPS-4000-...-RS3-F25  | -          | -          | -          | -          | -          | -          | -          | -          | -          | -          | ■          | 30           |
| DAPS-4000-...-RS4-F25  | -          | -          | -          | -          | -          | -          | -          | -          | -          | -          | ■          | 30           |
| Hole pattern for NAMUR accessories   | 30         | 30         | 30         | 30         | 30         | 30         | 30         | 30         | 30         | 30         | 30         |              |
|  | 80         | 80         | 80         | 80         | 80         | 80         | 80         | 80         | 80         | 80         | 130        |              |

## Product range overview

| <b>DAPS CR, double-acting</b>  |     |     |     |     |     |     |     |     |     |     |              |
|--|-----|-----|-----|-----|-----|-----|-----|-----|-----|-----|--------------|
| Flange hole pattern – Connection dimensions to DIN ISO 5211 and NAMUR VDI/VDE 3845 |     |     |     |     |     |     |     |     |     |     |              |
| Connection   | F03 | F03 | F05 | F05 | F05 | F07 | F07 | F07 | F10 | F10 | Shaft height |
| Square   | T09 | T11 | T11 | T14 | T17 | T14 | T17 | T22 | T17 | T22 |              |
| DAPS-0015-...-R-F03-CR   | ■   | –   | –   | –   | –   | –   | –   | –   | –   | –   | 20 mm        |
| DAPS-0030-...-R-F03-CR   | ■   | –   | –   | –   | –   | –   | –   | –   | –   | –   | 20 mm        |
| DAPS-0060-...-R-F0305-CR   | –   | ■   | ■   | –   | –   | –   | –   | –   | –   | –   | 20 mm        |
| DAPS-0120-...-R-F0507-CR   | –   | –   | –   | ■   | –   | ■   | –   | –   | –   | –   | 30 mm        |
| DAPS-0240-...-R-F0507-CR   | –   | –   | –   | –   | ■   | –   | ■   | –   | –   | –   | 30 mm        |
| DAPS-0480-...-R-F0710-CR   | –   | –   | –   | –   | –   | –   | –   | ■   | –   | ■   | 30 mm        |
| Hole pattern for NAMUR accessories   | 25  | 25  | 25  | 30  | 30  | 30  | 30  | 30  | 30  | 30  |              |
|  | 50  | 50  | 50  | 80  | 80  | 80  | 80  | 80  | 80  | 80  |              |

| <b>DAPS CR, single-acting</b>  |     |     |     |     |     |     |     |     |     |     |              |
|--|-----|-----|-----|-----|-----|-----|-----|-----|-----|-----|--------------|
| Flange hole pattern – Connection dimensions to DIN ISO 5211 and NAMUR VDI/VDE 3845 |     |     |     |     |     |     |     |     |     |     |              |
| Connection   | F03 | F03 | F05 | F05 | F05 | F07 | F07 | F07 | F10 | F10 | Shaft height |
| Square   | T09 | T11 | T11 | T14 | T17 | T14 | T17 | T22 | T17 | T22 |              |
| DAPS-0015-...-RS1-F03-CR   | ■   | –   | –   | –   | –   | –   | –   | –   | –   | –   | 20 mm        |
| DAPS-0015-...-RS2-F03-CR   | ■   | –   | –   | –   | –   | –   | –   | –   | –   | –   | 20 mm        |
| DAPS-0015-...-RS3-F03-CR   | ■   | –   | –   | –   | –   | –   | –   | –   | –   | –   | 20 mm        |
| DAPS-0015-...-RS4-F03-CR   | ■   | –   | –   | –   | –   | –   | –   | –   | –   | –   | 20 mm        |
| DAPS-0030-...-RS1-F03-CR   | –   | ■   | ■   | –   | –   | –   | –   | –   | –   | –   | 20 mm        |
| DAPS-0030-...-RS2-F03-CR   | –   | ■   | ■   | –   | –   | –   | –   | –   | –   | –   | 20 mm        |
| DAPS-0030-...-RS3-F03-CR   | –   | ■   | ■   | –   | –   | –   | –   | –   | –   | –   | 20 mm        |
| DAPS-0030-...-RS4-F03-CR   | –   | ■   | ■   | –   | –   | –   | –   | –   | –   | –   | 20 mm        |
| DAPS-0060-...-RS1-F0305-CR   | –   | –   | –   | ■   | –   | ■   | –   | –   | –   | –   | 30 mm        |
| DAPS-0060-...-RS2-F0305-CR   | –   | –   | –   | ■   | –   | ■   | –   | –   | –   | –   | 30 mm        |
| DAPS-0060-...-RS3-F0305-CR   | –   | –   | –   | ■   | –   | ■   | –   | –   | –   | –   | 30 mm        |
| DAPS-0060-...-RS4-F0305-CR   | –   | –   | –   | ■   | –   | ■   | –   | –   | –   | –   | 30 mm        |
| DAPS-0120-...-RS1-F0507-CR   | –   | –   | –   | –   | ■   | –   | ■   | –   | –   | –   | 30 mm        |
| DAPS-0120-...-RS2-F0507-CR   | –   | –   | –   | –   | ■   | –   | ■   | –   | –   | –   | 30 mm        |
| DAPS-0120-...-RS3-F0507-CR   | –   | –   | –   | –   | ■   | –   | ■   | –   | –   | –   | 30 mm        |
| DAPS-0120-...-RS4-F0507-CR   | –   | –   | –   | –   | ■   | –   | ■   | –   | –   | –   | 30 mm        |
| DAPS-0240-...-RS1-F0507-CR   | –   | –   | –   | –   | –   | –   | –   | ■   | –   | ■   | 30 mm        |
| DAPS-0240-...-RS1-F0507-CR   | –   | –   | –   | –   | –   | –   | –   | ■   | –   | ■   | 30 mm        |
| DAPS-0240-...-RS1-F0507-CR   | –   | –   | –   | –   | –   | –   | –   | ■   | –   | ■   | 30 mm        |
| DAPS-0240-...-RS1-F0507-CR   | –   | –   | –   | –   | –   | –   | –   | ■   | –   | ■   | 30 mm        |
| Hole pattern for NAMUR accessories   | 25  | 25  | 25  | 30  | 30  | 30  | 30  | 30  | 30  | 30  |              |
|  | 50  | 50  | 50  | 80  | 80  | 80  | 80  | 80  | 80  | 80  |              |

Peripherals overview



## Peripherals overview

| Mounting components and accessories |                                       | Brief description  | → Page/Internet |
|-------------------------------------|---------------------------------------|--|-----------------|
| [1]                                 | Positioner<br>CMSX                    | For controlling the position of quarter turn actuators in process automation systems                             | cmsx            |
| [2]                                 | Sensor boxes<br>SRBG                  | For electrical feedback and position monitoring of process valves which are actuated with quarter turn actuators | srbg            |
| [3]                                 | Limit switch attachments<br>DAPZ      | Round design, variant AR<br>Electrical, inductive or inductive and explosion-proof sensing                       | dapz            |
| [4]                                 | Sensor boxes<br>SRBC                  | For electrical feedback and position monitoring of process valves which are actuated with quarter turn actuators | srbc            |
| [5]                                 | Sensor boxes<br>SRAP                  | Analogue sensor box continuously senses the entire swivel range and reports this back to the controller          | srap            |
| [6]                                 | Solenoid valves<br>NVF3 <sup>1)</sup> | For F solenoid coil and explosion-proof F solenoid coil  | nvf3            |
| [7]                                 | Solenoid valves<br>VSNC               | For single-acting and double-acting quarter turn actuators with a connection pattern to VDI/VDE 3845             | vsnc            |
| [8]                                 | Solenoid valves<br>VOFC               | Solenoid valve with solenoid coil, connection pattern to NAMUR   | vofc            |
| [9]                                 | Solenoid valves<br>VOFD               | Solenoid valve with solenoid coil, connection pattern to NAMUR   | vofd            |
| [10]                                | Ball valves<br>VAPB                   | 2-way, brass, pipe thread to EN 10226-1  | vapb            |
| [11]                                | Ball valves<br>VZBA                   | 2-way, stainless steel, optionally with pipe thread to EN 10226-1 or with welding ends                           | vzba            |
| [12]                                | Quarter turn actuators<br>DAPS        | Connection pattern to VDI/VDE 3845 for mounting solenoid valves  | 9               |

1) Only solenoid valves from size 0015 upwards can be directly mounted

## Type codes for DAPS

|             |                   |  |
|-------------|-------------------|--|
| <b>001</b>  | <b>Series</b>     |  |
| <b>DAPS</b> | Semi-rotary drive |  |

|             |                               |  |
|-------------|-------------------------------|--|
| <b>002</b>  | <b>Size of valve actuator</b> |  |
| <b>0008</b> | 0008                          |  |
| <b>0015</b> | 0015                          |  |
| <b>0030</b> | 0030                          |  |
| <b>0053</b> | 0053                          |  |
| <b>0060</b> | 0060                          |  |
| <b>0090</b> | 0090                          |  |
| <b>0106</b> | 0106                          |  |
| <b>0120</b> | 0120                          |  |
| <b>0180</b> | 0180                          |  |
| <b>0240</b> | 0240                          |  |
| <b>0360</b> | 0360                          |  |
| <b>0480</b> | 0480                          |  |
| <b>0720</b> | 0720                          |  |
| <b>0960</b> | 0960                          |  |
| <b>1440</b> | 1440                          |  |
| <b>1920</b> | 1920                          |  |
| <b>2880</b> | 2880                          |  |
| <b>3840</b> | 3840                          |  |
| <b>4000</b> | 4000                          |  |
| <b>5760</b> | 5760                          |  |
| <b>8000</b> | 8000                          |  |

|            |                     |  |
|------------|---------------------|--|
| <b>003</b> | <b>Swivel angle</b> |  |
| <b>90</b>  | 90                  |  |

|            |                          |  |
|------------|--------------------------|--|
| <b>004</b> | <b>Closing direction</b> |  |
| <b>R</b>   | Closes to the right      |  |

|            |                        |  |
|------------|------------------------|--|
| <b>005</b> | <b>Function</b>        |  |
|            | Double-acting          |  |
| <b>S</b>   | Single-acting, pushing |  |

|            |                                    |  |
|------------|------------------------------------|--|
| <b>006</b> | <b>Spring force</b>                |  |
|            | None                               |  |
| <b>1</b>   | For connecting pressure of 2.8 bar |  |
| <b>2</b>   | For connecting pressure of 3.5 bar |  |
| <b>3</b>   | For connecting pressure of 4.2 bar |  |
| <b>4</b>   | For connecting pressure of 5.6 bar |  |

|            |                         |  |
|------------|-------------------------|--|
| <b>007</b> | <b>Flange pattern 1</b> |  |
| <b>F03</b> | Hole pattern F03        |  |
| <b>F04</b> | Hole pattern F04        |  |
| <b>F05</b> | Hole pattern F05        |  |
| <b>F07</b> | Hole pattern F07        |  |
| <b>F10</b> | Hole pattern F10        |  |
| <b>F12</b> | Hole pattern F12        |  |
| <b>F14</b> | Hole pattern F14        |  |
| <b>F16</b> | Hole pattern F16        |  |
| <b>F25</b> | Hole pattern F25        |  |

|            |                         |  |
|------------|-------------------------|--|
| <b>008</b> | <b>Flange pattern 2</b> |  |
|            | None                    |  |
| <b>F05</b> | Hole pattern F05        |  |
| <b>F07</b> | Hole pattern F07        |  |
| <b>F10</b> | Hole pattern F10        |  |
| <b>F12</b> | Hole pattern F12        |  |
| <b>F16</b> | Hole pattern F16        |  |

|            |                        |  |
|------------|------------------------|--|
| <b>009</b> | <b>Manual override</b> |  |
|            | None                   |  |
| <b>MW</b>  | Handwheel              |  |

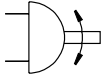
|            |                             |  |
|------------|-----------------------------|--|
| <b>010</b> | <b>Corrosion protection</b> |  |
|            | Standard                    |  |
| <b>CR</b>  | Stainless steel             |  |


|            |                          |  |
|------------|--------------------------|--|
| <b>011</b> | <b>Temperature range</b> |  |
|            | Standard                 |  |
| <b>T4</b>  | 0 ... +150°C             |  |
| <b>T6</b>  | -50 ... +60°C            |  |



## Data sheet



## Function



 Swivel angle  
 0 ... 90°

Sets of wearing parts  
 → Page 22



 Size  
 0008 ... 8000  
 Torque  
 8 ... 8000 Nm

**General technical data**

| Size                                | 0008                | 0015 ... 0360 | 0480 ... 0960 | 1440 ... 1920 | 2880 ... 5760 | 8000 |
|-------------------------------------|---------------------|---------------|---------------|---------------|---------------|------|
| Pneumatic connection                | G1/8                | G1/8          | G1/4          | G1/4          | G3/8          | G3/8 |
| Design                              | Scotch yoke system  |               |               |               |               |      |
| Mode of operation                   | Double-acting       |               |               |               |               |      |
| Mounting position                   | Any                 |               |               |               |               |      |
| Position sensing                    | Without             |               |               |               |               |      |
| Cushioning                          | No cushioning       |               |               |               |               |      |
| Swivel angle                        | 90                  |               |               |               |               |      |
| End-position adjusting range at 0°  |                     |               |               |               |               |      |
| DAPS ... R- ...                     | [°]                 | -             | -1 ... +9     |               | ±5            |      |
| DAPS ... R- ... T4                  | [°]                 | -             | -1 ... +9     | -             |               |      |
| DAPS ... R- ... T6                  | [°]                 | -             | -1 ... +9     |               | ±5            | -    |
| End-position adjusting range at 90° |                     |               |               |               |               |      |
| DAPS ... R- ...                     | [°]                 | -             |               |               | 85 ... 95     |      |
| DAPS ... R- ... T4                  | [°]                 | -             |               |               |               |      |
| DAPS ... R- ... T6                  | [°]                 | -             |               |               | 85 ... 95     | -    |
| Closing direction                   | Closes to the right |               |               |               |               |      |

**Operating and environmental conditions**

| Size   | 0008   | 0015 ... 0360 | 0480 ... 0960 | 1440 ... 1920 | 2880 ... 5760 | 8000    |
|--|--|---------------|---------------|---------------|---------------|---------|
| Nominal operating pressure                   | [bar]  | 5.6           |               |               |               |         |
| Operating pressure                           |  |               |               |               |               |         |
| DAPS ... R- ...                              | [bar]  | 1 ... 8.4     |               |               |               | 1 ... 7 |
| DAPS ... R- ... T4                           | [bar]  | 3 ... 8.4     |               |               | -             |         |
| DAPS ... R- ... T6                           | [bar]  | 3 ... 8.4     |               |               |               | -       |
| Operating medium                             | Compressed air to ISO 8573-1:2010 [7:4:4]  |               |               |               |               |         |
| Note on operating/pilot medium               | Lubricated operation possible (in which case lubricated operation will always be required) |               |               |               |               |         |
| Ambient temperature                          |  |               |               |               |               |         |
| DAPS ... R- ...                              | [°C]   | -20 ... +80   |               |               |               |         |
| DAPS ... R- ... T4                           | [°C]   | -             | -20 ... +150  |               | -             |         |
| DAPS ... R- ... T6                           | [°C]   | -             | -50 ... +60   |               |               |         |
| Corrosion resistance class CRC <sup>1)</sup> | 3  |               |               |               |               |         |
| Process valve connection to standard         | ISO 5211   |               |               |               |               |         |
| Valve connection conforms to standard        | VDI/VDE 3845 (NAMUR)   |               |               |               |               |         |
| Safety integrity level (SIL)                 |  |               |               |               |               |         |
| Up to SIL 2 high demand mode                 |  |               |               |               |               |         |
| Up to SIL 2 low demand mode                  |  |               |               |               |               |         |

1) Corrosion resistance class CRC 3 to Festo standard FN 940070

High corrosion stress. Outdoor exposure under moderate corrosive conditions. Externally visible parts with primarily functional surface requirements which are in direct contact with a normal industrial environment.

Data sheet

| ATEX                                       |   |                     |
|--|---|---------------------|
| ATEX category for gas                      | II 2G                                       |                     |
| Type of ignition protection for gas        | Ex h IIC T6 ... T3 Gb X                     |                     |
| ATEX category for dust                     | II 2D                                       |                     |
| Type of ignition protection for dust       | Ex h IIIC T85°C ... T200°C Db X             |                     |
| Explosion-proof ambient temperature        | Standard                                    | -20°C ≤ Ta ≤ +60°C  |
|  | Version T4                                  | -20°C ≤ Ta ≤ +150°C |
|  | Version T6                                  | -50°C ≤ Ta ≤ +60°C  |
| CE marking (see declaration of conformity) | To EU Explosion Protection Directive (ATEX) |                     |

| Air consumption [l/cycle 0°-nominal swivel angle-0°] at 6 bar |       |           |       |
|---|-------|-----------|-------|
| Size  |       | Size      |       |
| DAPS-0008   | 0.24  | DAPS-0720 | 32.2  |
| DAPS-0015   | 0.56  | DAPS-0960 | 42.35 |
| DAPS-0030   | 1.05  | DAPS-1440 | 67.9  |
| DAPS-0060   | 2.1   | DAPS-1920 | 90.3  |
| DAPS-0106   | 3.85  | DAPS-2880 | 140   |
| DAPS-0180   | 8.40  | DAPS-3840 | 179.2 |
| DAPS-0240   | 11.55 | DAPS-5760 | 266   |
| DAPS-0360   | 16.1  | DAPS-8000 | 350   |
| DAPS-0480   | 22.4  |           |       |

| Weight [g] |      |           |        |
|------------|------|-----------|--------|
| Size       |      | Size      |        |
| DAPS-0008  | 300  | DAPS-0720 | 12000  |
| DAPS-0015  | 750  | DAPS-0960 | 17400  |
| DAPS-0030  | 1000 | DAPS-1440 | 23000  |
| DAPS-0060  | 1600 | DAPS-1920 | 32000  |
| DAPS-0106  | 2500 | DAPS-2880 | 56000  |
| DAPS-0180  | 4600 | DAPS-3840 | 49000  |
| DAPS-0240  | 5400 | DAPS-5760 | 86000  |
| DAPS-0360  | 6500 | DAPS-8000 | 106000 |
| DAPS-0480  | 9600 |           |        |


| Materials              |                         |  | Material number |
|------------------------|-------------------------|--|-----------------|
| Quarter turn actuators |                         |  |                 |
| Housing                | Wrought aluminium alloy |  | -               |
| Cover                  | Wrought aluminium alloy |  | -               |
| Shaft                  | High-alloy steel        |  | 1.4305          |
| External screws        | High-alloy steel        |  | -               |
| Seals                  | Standard                | FPM, NBR, PUR  | -               |
|                        | T4                      | FPM, reinforced PTFE   | -               |
|                        | T6                      | FVMQ, reinforced PTFE  | -               |
| Note on materials      | Standard                | RoHS-compliant   | -               |
|                        | T4                      | Contains paint-wetting impairment substances, RoHS-compliant | -               |
|                        | T6                      | Contains paint-wetting impairment substances, RoHS-compliant | -               |

| Actual torque [Nm] as a function of operating pressure [bar] and swivel angle [°] |                  |                          |     |      |      |      |      |      |      |
|---|------------------|--------------------------|-----|------|------|------|------|------|------|
| Size  | Swivel angle [°] | Operating pressure [bar] |     |      |      |      |      |      |      |
|   |                  | 2.5                      | 3   | 4    | 5    | 5.6  | 6    | 7    | 8    |
| DAPS-0008   | 0                | 3.1                      | 3.8 | 5    | 6.3  | 7    | 7.5  | 8.8  | 10   |
|   | 50               | 1.6                      | 1.9 | 2.5  | 3.1  | 3.5  | 3.8  | 4.4  | 5    |
|   | 90               | 3.1                      | 3.8 | 5    | 6.3  | 7    | 7.5  | 8.8  | 10   |
| DAPS-0015   | 0                | 6.7                      | 8   | 10.7 | 13.4 | 15   | 16.1 | 18.8 | 21.4 |
|   | 50               | 3.3                      | 4   | 5.4  | 6.7  | 7.5  | 8    | 9.4  | 10.7 |
|   | 90               | 5                        | 6   | 8.1  | 10.1 | 11.3 | 12.1 | 14.1 | 16.1 |

## Data sheet

| Actual torque [Nm] as a function of operating pressure [bar] and swivel angle [°] |                  |                          |        |        |        |      |        |        |        |
|---|------------------|--------------------------|--------|--------|--------|------|--------|--------|--------|
| Size  | Swivel angle [°] | Operating pressure [bar] |        |        |        |      |        |        |        |
|   |                  | 2.5                      | 3      | 4      | 5      | 5.6  | 6      | 7      | 8      |
| DAPS-0030   | 0                | 13.4                     | 16.1   | 21.4   | 26.8   | 30   | 32.1   | 37.5   | 42.9   |
|   | 50               | 6.7                      | 8      | 10.7   | 13.4   | 15   | 16.1   | 18.8   | 21.4   |
|   | 90               | 10                       | 12     | 16.1   | 20.1   | 22.5 | 24.1   | 28.1   | 32.1   |
| DAPS-0060   | 0                | 26.8                     | 32.1   | 42.9   | 53.6   | 60   | 64.3   | 75     | 85.7   |
|   | 50               | 13.4                     | 16.1   | 21.4   | 26.8   | 30   | 32.1   | 37.5   | 42.9   |
|   | 90               | 20.1                     | 24.1   | 32.1   | 40.2   | 45   | 48.2   | 56.3   | 64.3   |
| DAPS-0106   | 0                | 47.5                     | 57     | 76     | 95     | 106  | 114    | 133    | 151    |
|   | 50               | 23.5                     | 28     | 38     | 47     | 53   | 57     | 66     | 76     |
|   | 90               | 35.5                     | 43     | 57     | 71     | 80   | 86     | 100    | 114    |
| DAPS-0180   | 0                | 80.4                     | 96     | 128.4  | 160.8  | 180  | 193.2  | 225.6  | 264.8  |
|   | 50               | 40.2                     | 48     | 64.8   | 80.4   | 90   | 96     | 112.8  | 128.4  |
|   | 90               | 60.6                     | 72     | 97.2   | 121.2  | 135  | 145.2  | 169.2  | 193.2  |
| DAPS-0240   | 0                | 107.1                    | 128.6  | 171.4  | 214.3  | 240  | 257.1  | 300    | 342.9  |
|   | 50               | 53.5                     | 64.3   | 85.7   | 107.1  | 120  | 128.6  | 150    | 171.4  |
|   | 90               | 80.3                     | 96.4   | 128.6  | 160.7  | 180  | 192.9  | 225    | 257.1  |
| DAPS-0360   | 0                | 160.8                    | 192    | 256.8  | 321.6  | 360  | 386.4  | 451.2  | 513.6  |
|   | 50               | 80.4                     | 96     | 129.6  | 160.8  | 180  | 192    | 225.6  | 264.8  |
|   | 90               | 121.2                    | 144    | 194.4  | 242.4  | 270  | 290.4  | 338.4  | 386.4  |
| DAPS-0480   | 0                | 214.3                    | 257.1  | 342.9  | 428.6  | 480  | 514.3  | 600    | 685.7  |
|   | 50               | 107.1                    | 128.6  | 171.4  | 214.3  | 240  | 257.1  | 300    | 342.9  |
|   | 90               | 160.7                    | 192.9  | 257.1  | 321.4  | 360  | 358.7  | 450    | 514.3  |
| DAPS-0720   | 0                | 321.4                    | 384    | 513.6  | 643.2  | 720  | 772.8  | 902.4  | 1027.2 |
|   | 50               | 160.7                    | 192    | 259.2  | 321.6  | 360  | 384    | 451.2  | 529.6  |
|   | 90               | 241                      | 288.1  | 388.8  | 484.8  | 540  | 580.8  | 676.8  | 772.8  |
| DAPS-0960   | 0                | 428.6                    | 514.3  | 685.7  | 857.1  | 960  | 1028.6 | 1200   | 1371.4 |
|   | 50               | 214.3                    | 257.1  | 342.9  | 428.6  | 480  | 514.3  | 600    | 685.7  |
|   | 90               | 321.4                    | 385.7  | 514.3  | 642.9  | 720  | 771.4  | 900    | 1028.6 |
| DAPS-1440   | 0                | 642.8                    | 768    | 1027.2 | 1286.4 | 1440 | 1545.6 | 1804.8 | 2057.4 |
|   | 50               | 321.4                    | 384    | 518.4  | 643.2  | 720  | 768    | 902.4  | 1059.2 |
|   | 90               | 482.1                    | 576    | 777.6  | 969.9  | 1080 | 1161.6 | 1353.6 | 1545.6 |
| DAPS-1920   | 0                | 857.1                    | 1028.6 | 1371.4 | 1714.3 | 1920 | 2057.1 | 2400   | 2742.9 |
|   | 50               | 428.6                    | 514.3  | 685.8  | 857.1  | 960  | 1028.6 | 1200   | 1371.4 |
|   | 90               | 642.9                    | 771.4  | 1028.6 | 1285.7 | 1440 | 1542.9 | 1800   | 2057.1 |
| DAPS-2880   | 0                | 1285                     | 1542   | 2057   | 2571   | 2880 | 3085   | 3600   | 4114   |
|   | 50               | 642                      | 771    | 1028   | 1285   | 1440 | 1542   | 1800   | 2057   |
|   | 90               | 856                      | 1028   | 1371   | 1741   | 1920 | 2056   | 2400   | 2742   |
| DAPS-3840   | 0                | 1714                     | 2057   | 2743   | 3428   | 3840 | 4114   | 4800   | 5485   |
|   | 50               | 857                      | 1028   | 1371   | 1714   | 1920 | 2057   | 2400   | 2742   |
|   | 90               | 1285                     | 1543   | 2057   | 2571   | 2880 | 3085   | 3600   | 4114   |
| DAPS-5760   | 0                | 2571                     | 3085   | 4114   | 5142   | 5760 | 6171   | 7200   | 8228   |
|   | 50               | 1285                     | 1542   | 2057   | 2571   | 2880 | 3085   | 3600   | 4141   |
|   | 90               | 1928                     | 2313   | 3085   | 3856   | 4320 | 4628   | 5400   | 6171   |
| DAPS-8000   | 0                | 3571.4                   | 4285.7 | 5714.3 | 7142.9 | 8000 | 8571.4 | 10000  | –      |
|   | 50               | 1785.7                   | 2142.9 | 2857.1 | 3571.4 | 4000 | 4285.7 | 5000   | –      |
|   | 90               | 2678.6                   | 3214.3 | 4285.7 | 5357.1 | 6000 | 6428.6 | 7500   | –      |

Torque for size at 5.6 bar  
and swivel angle 0°

 **Note**

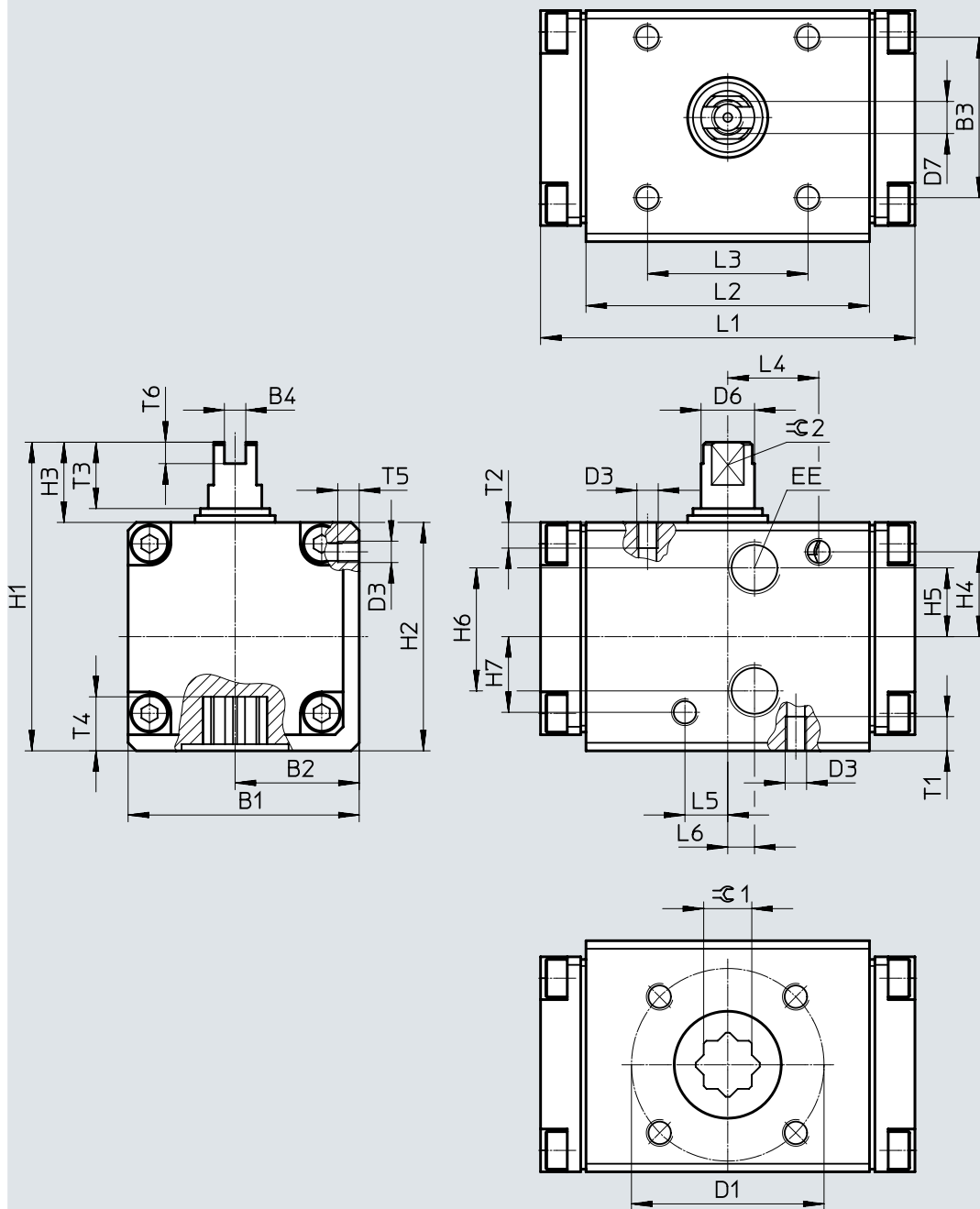
The operating torque of the actuator must not be greater than the maximum permissible torque listed in ISO 5211 in relation to the size of the mounting flange and of the coupling.

Data sheet

Dimensions

Download CAD data → [www.festo.com](http://www.festo.com)

Size 0008



## Data sheet

| Size         | B1   | B2   | B3 | B4<br>+0.1 | D1<br>∅ | D3 | D6<br>∅ | D7 | EE   | H1   | H2   | H3 | H4   | H5   | H6 |
|--------------|------|------|----|------------|---------|----|---------|----|------|------|------|----|------|------|----|
| DAPS-008-... | 43.2 | 23.2 | 30 | 4          | 36      | M5 | 10      | M6 | G1/8 | 57.7 | 42.7 | 15 | 14.5 | 11.5 | 23 |

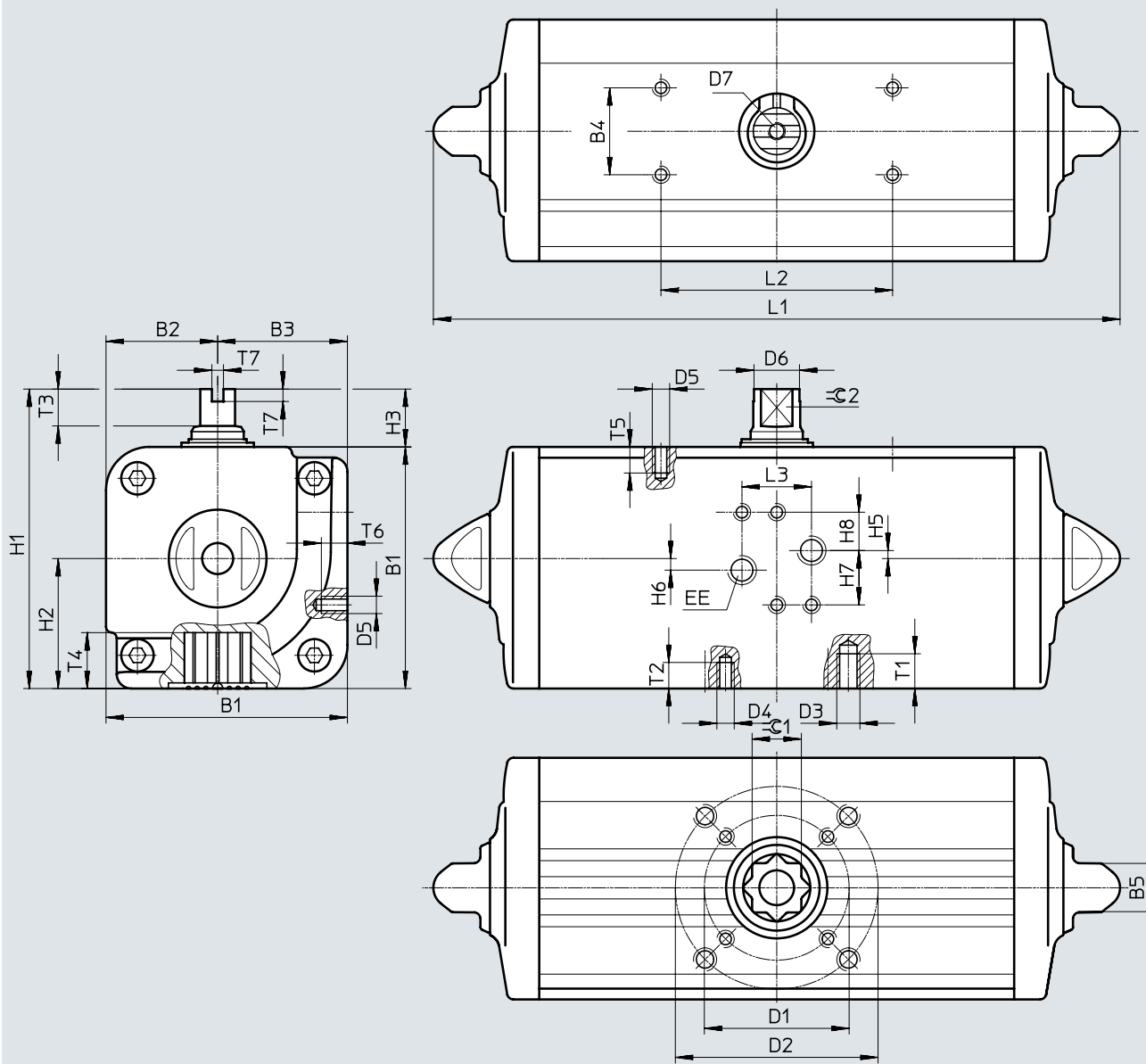
| Size         | H7   | L1 | L2 | L3 | L4 | L5 | L6 | T1 | T2 | T3   | T4   | T5 | T6<br>+0.5 | ≈ 1<br>H11 | ≈ 2<br>h11 |
|--------------|------|----|----|----|----|----|----|----|----|------|------|----|------------|------------|------------|
| DAPS-008-... | 15.5 | 70 | 53 | 30 | 17 | 8  | 5  | 8  | 6  | 12.4 | 10.1 | 5  | 4.5        | 9          | 8          |

Data sheet

Dimensions

Download CAD data → [www.festo.com](http://www.festo.com)

DAPS-0015-090-...T4



## Data sheet

| Size                | B1    | B2   | B3   | B4 | B5 | D1<br>∅<br>±0.1 | D2<br>∅<br>±0.1 | D3  | D4 | D5 | D6<br>∅ | D7 | EE   | H1    | H2   | H3 |
|---------------------|-------|------|------|----|----|-----------------|-----------------|-----|----|----|---------|----|------|-------|------|----|
| DAPS-0015-...-F03   | 52.2  | 24.2 | 28   | 30 | 13 | 36              | -               | -   | M5 | M5 | 9.2     | M6 | G1/8 | 72.2  | 28   | 20 |
| DAPS-0015-...-F04   |       |      |      |    |    | 42              | -               | -   |    |    |         |    |      |       |      |    |
| DAPS-0030-...-F0305 | 59.2  | 27.7 | 31.5 |    | 13 | 36              | 50              | M6  | M5 |    | 10.9    |    |      | 79.2  | 31.5 | 20 |
| DAPS-0030-...-F04   |       |      |      |    |    | 42              | -               | -   |    |    |         |    |      |       |      |    |
| DAPS-0060-...-F04   | 70.4  | 32.7 | 37.7 |    | 13 | 42              | -               | -   | M5 |    | 14.5    |    |      | 90.4  | 37.7 | 20 |
| DAPS-0060-...-F0507 |       |      |      |    |    | 50              | 70              | M8  | M6 |    |         |    |      |       |      |    |
| DAPS-0106-...-F0507 | 83.3  | 38.5 | 44.8 |    | 17 | 50              | 70              | M8  | M6 |    | 16.2    |    |      | 103.3 | 44.8 | 20 |
| DAPS-0180-...-F0710 | 107.5 | 51   | 56.5 |    | 22 | 70              | 102             | M10 | M8 |    | 20.2    |    |      | 137.5 | 56.5 | 30 |
| DAPS-0240-...-F0710 | 111.1 | 51   | 60.1 |    | 22 | 70              | 102             | M10 | M8 |    | 22.5    |    |      | 141.1 | 60.1 | 30 |
| DAPS-0360-...-F0710 | 118   | 56   | 62   |    | 22 | 70              | 102             | M10 | M8 |    | 25.5    |    |      | 148   | 62   | 30 |

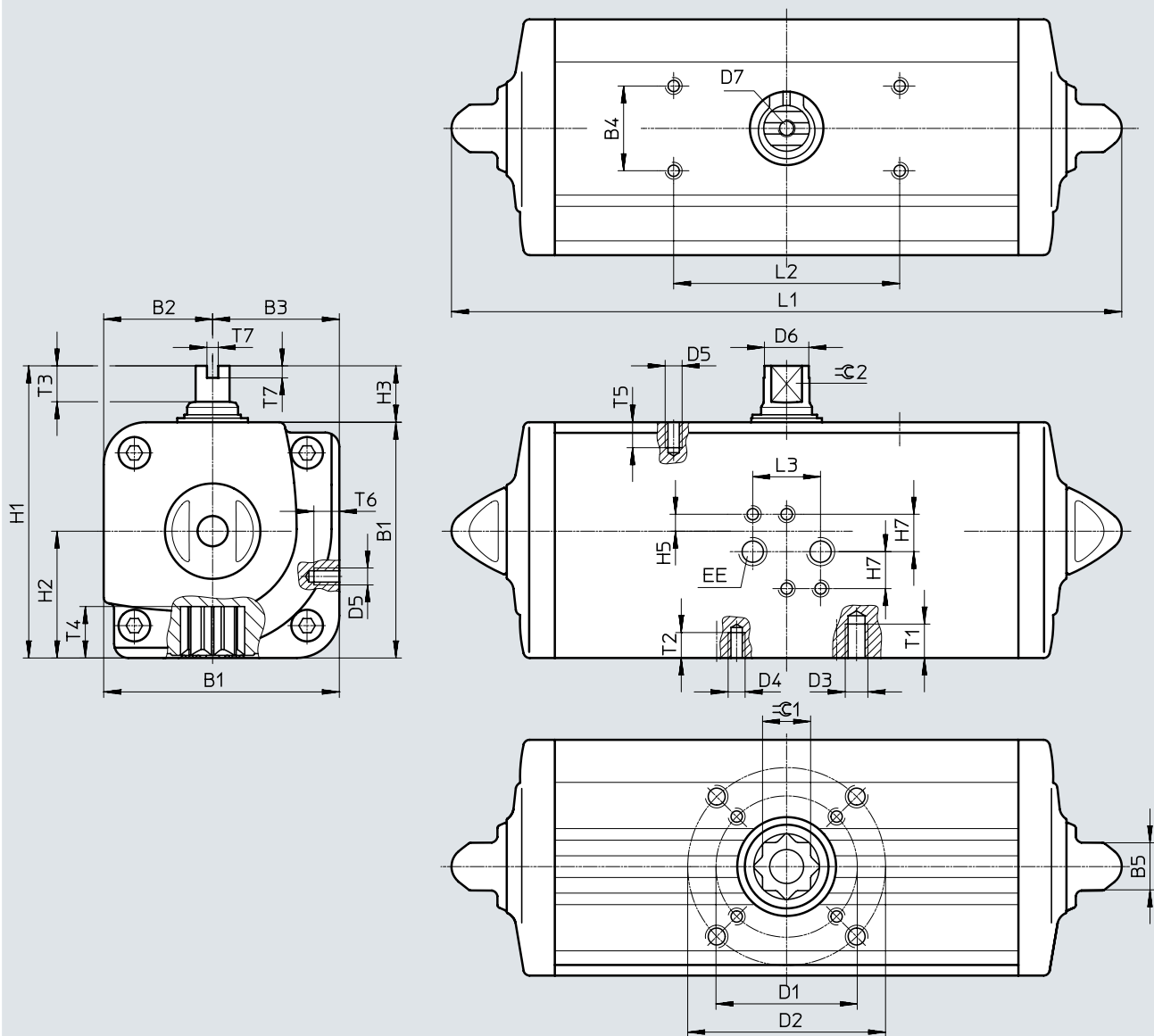
| Size                | H5  | H6  | H7 | H8 | L1<br>±2 | L2 | L3 | T1  | T2 | T3 | T4   | T5 | T6 | T7 | ≈G 1 | ≈G 2 |      |    |    |    |    |
|---------------------|-----|-----|----|----|----------|----|----|-----|----|----|------|----|----|----|------|------|------|----|----|----|----|
| DAPS-0015-...-F03   | 0.8 | 3.2 | 18 | 14 | 159      | 80 | 24 | -   | 8  | 10 | 13.2 | 6  | 7  | 4  | 11   | 8    |      |    |    |    |    |
| DAPS-0015-...-F04   |     |     |    |    |          |    |    | 9   | 8  | 10 | 13.2 |    |    |    |      |      |      |    |    |    |    |
| DAPS-0030-...-F0305 | 0.8 | 3.2 |    |    | 174      |    |    | 198 | 80 | 24 | -    |    |    |    | 8    | 13   | 16.5 | 14 | 10 |    |    |
| DAPS-0030-...-F04   |     |     |    |    |          |    |    |     |    |    | -    |    |    |    | 8    | 13   | 16.5 |    |    |    |    |
| DAPS-0060-...-F04   | -   | 4   |    |    | 198      |    |    | 80  | 24 | 12 | 9    |    |    |    | 13   | 16.5 | 6    | 7  | 4  | 14 | 10 |
| DAPS-0060-...-F0507 | -   | 4   |    |    | 237.1    |    |    | 12  | 9  | 13 | 19.3 |    |    |    | 17   | 12   |      |    |    |    |    |
| DAPS-0106-...-F0507 | -   | 4   |    |    | 289.9    |    |    | 15  | 12 | 16 | 24.8 |    |    |    | 22   | 15   |      |    |    |    |    |
| DAPS-0180-...-F0710 | -   | 4   |    |    | 313.6    |    |    | 15  | 12 | 17 | 24.8 |    |    |    | 22   | 15   |      |    |    |    |    |
| DAPS-0240-...-F0710 | -   | 4   |    |    | 339.3    |    |    | 15  | 12 | 19 | 24.3 |    |    |    | 22   | 19   |      |    |    |    |    |

Data sheet

Dimensions

Size 0015 ... 1920

Download CAD data → [www.festo.com](http://www.festo.com)





## Data sheet

| Size                | B1    | B2   | B3   | B4 | B5 | D1<br>∅<br>±0.1 | D2<br>∅<br>±0.1 | D3  | D4 | D5 | D6<br>∅ | D7 | EE   | H1    | H2   |      |      |      |      |      |
|---------------------|-------|------|------|----|----|-----------------|-----------------|-----|----|----|---------|----|------|-------|------|------|------|------|------|------|
| DAPS-0015-...-F03   | 52.2  | 24.2 | 28   | 30 | 13 | 36              | -               | -   | M5 | M5 | 9.2     | M6 | G1/8 | 72.2  | 28   |      |      |      |      |      |
| DAPS-0015-...-F04   |       |      |      |    |    | 42              |                 |     | M5 |    |         |    |      |       |      |      |      |      |      |      |
| DAPS-0030-...-F0305 | 59.2  | 27.7 | 31.5 |    | 13 | 36              | 50              | M6  | M5 |    | 10.9    |    |      | 14.5  | 16.2 | 20.2 | 22.5 | 25.5 | 79.2 | 31.5 |
| DAPS-0030-...-F04   |       |      |      |    |    | 42              | -               | -   | M5 |    |         |    |      |       |      |      |      |      |      |      |
| DAPS-0060-...-F04   | 70.4  | 32.7 | 37.7 |    | 13 | 42              | -               | -   | M5 |    | 14.5    |    |      | 16.2  | 20.2 | 22.5 | 25.5 | 79.2 | 31.5 |      |
| DAPS-0060-...-F0507 |       |      |      |    |    | 50              | 70              | M8  | M6 |    |         |    |      |       |      |      |      |      |      |      |
| DAPS-0106-...-F0507 | 83.3  | 38.5 | 44.8 |    | 17 | 50              | 70              | M8  | M6 |    | 16.2    |    |      | 103.3 | 44.8 |      |      |      |      |      |
| DAPS-0180-...-F0710 | 107.5 | 51   | 56.5 |    | 22 | 70              | 102             | M10 | M8 |    | 20.2    |    |      | 137.5 | 56.5 |      |      |      |      |      |
| DAPS-0240-...-F0710 | 111.1 | 51   | 60.1 |    | 22 | 70              | 102             | M10 | M8 |    | 22.5    |    |      | 141.1 | 60.1 |      |      |      |      |      |
| DAPS-0360-...-F0710 | 118   | 56   | 62   |    | 22 | 70              | 102             | M10 | M8 |    | 25.5    |    |      | 148   | 62   |      |      |      |      |      |

| Size                | H3 | H5   | H7 | L1<br>±2 | L2 | L3 | T1 | T2 | T3 | T4   | T5 | T6 | T7 | ⊕ 1 | ⊕ 2 |
|---------------------|----|------|----|----------|----|----|----|----|----|------|----|----|----|-----|-----|
| DAPS-0015-...-F03   | 20 | 28.8 | 32 | 159      | 80 | 24 | -  | 8  | 10 | 13.2 | 6  | 7  | 4  | 11  | 8   |
| DAPS-0015-...-F04   |    |      |    |          |    |    | 8  |    |    |      |    |    |    |     |     |
| DAPS-0030-...-F0305 | 20 | 32.3 |    | 174      |    |    | 9  | 8  | 10 | 13.2 |    |    |    | 11  | 9   |
| DAPS-0030-...-F04   |    |      |    |          |    |    |    |    |    |      |    |    |    |     |     |
| DAPS-0060-...-F04   | 20 | 37.7 |    | 198      |    |    | -  | 8  | 13 | 16.5 |    |    |    | 14  | 10  |
| DAPS-0060-...-F0507 |    |      |    |          |    |    |    |    |    |      |    |    |    |     |     |
| DAPS-0106-...-F0507 | 20 | 44.8 |    | 237.1    |    |    | 12 | 9  | 13 | 19.3 |    |    |    | 17  | 12  |
| DAPS-0180-...-F0710 | 30 | 56.5 |    | 289.9    |    |    | 15 | 12 | 16 | 24.8 |    |    |    | 22  | 15  |
| DAPS-0240-...-F0710 | 30 | 60.1 |    | 313.6    |    |    | 15 | 12 | 17 | 24.8 |    |    |    | 22  | 15  |
| DAPS-0360-...-F0710 | 30 | 62   |    | 339.3    |    |    | 15 | 12 | 19 | 24.3 |    |    |    | 22  | 19  |

| Size                | B1    | B2   | B3    | B4 | B5 | D1<br>∅<br>±0.1 | D2<br>∅<br>±0.1 | D3  | D4  | D5 | D6<br>∅ | D7 | EE   | H1    | H2    |       |       |
|---------------------|-------|------|-------|----|----|-----------------|-----------------|-----|-----|----|---------|----|------|-------|-------|-------|-------|
| DAPS-0480-...-F1012 | 134.9 | 62   | 72.9  | 30 | 27 | 102             | 125             | M12 | M10 | M5 | 29      | M6 | G1/4 | 164.9 | 72.9  |       |       |
| DAPS-0720-...-F1012 | 148   | 69.5 | 78.5  |    | 27 | 102             | 125             | M12 | M10 |    | 31.8    |    |      | 178   | 78.5  |       |       |
| DAPS-0960-...-F12   | 168   | 74.5 | 93.5  |    | 27 | 102             | 125             | M12 | M10 |    | 36.5    |    |      | 41    | 46    | 198   | 93.5  |
| DAPS-0960-...-F14   |       |      |       |    | 27 | 140             | -               | -   | M16 |    |         |    |      |       |       |       |       |
| DAPS-1440-...-F12   | 186   | 84.5 | 101.5 |    | 36 | 125             | -               | -   | M12 |    | M16     |    |      | 41    | 46    | 216   | 101.5 |
| DAPS-1440-...-F14   |       |      |       |    | 36 | 140             |                 |     |     |    |         |    |      |       |       |       |       |
| DAPS-1920-...-F14   | 207.7 | 93   | 114.7 |    | 36 | 140             | -               | -   | M16 |    | M12     |    |      | 46    | 237.7 | 114.7 |       |
| DAPS-1920-...-F1216 |       |      |       |    | 36 | 125             | 165             | M20 |     |    |         |    |      |       |       |       |       |

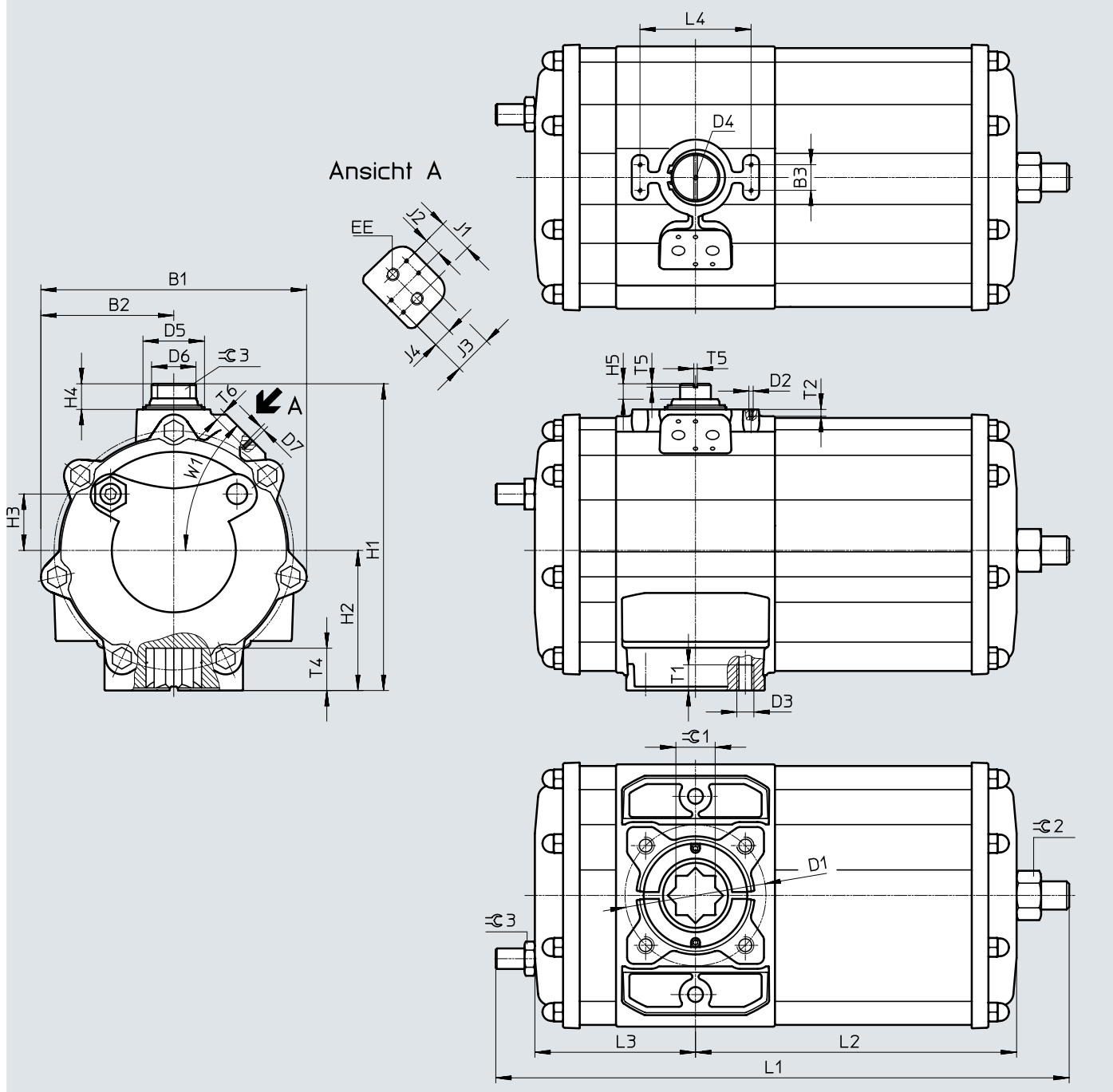
| Size                | H3 | H5   | H7 | L1    | L2 | L3 | T1 | T2 | T3   | T4   | T5 | T6 | T7 | ⊕ 1  | ⊕ 2 |
|---------------------|----|------|----|-------|----|----|----|----|------|------|----|----|----|------|-----|
| DAPS-0480-...-F1012 | 30 | 57.4 | 32 | 387.7 | 80 | 24 | 18 | 15 | 19   | 29.5 | 6  | 7  | 4  | 27   | 19  |
| DAPS-0720-...-F1012 |    | 61.5 |    | 433   |    |    | 18 | 15 | 19.5 | 29.5 |    |    |    | 27   | 22  |
| DAPS-0960-...-F12   |    | 78   |    | 479.4 |    |    | 18 | 15 | 19.5 | 38.5 |    |    |    | 36   | 24  |
| DAPS-0960-...-F14   |    | 86.5 |    | 567   |    |    | -  | 24 | 19.5 | 38.5 |    |    |    | 36   | 27  |
| DAPS-1440-...-F12   |    |      |    |       |    |    | -  | 18 | 24   | 19.5 |    |    |    | 38.5 |     |
| DAPS-1440-...-F14   |    | 99.2 |    | 601   |    |    | -  | 24 | 18.5 | 48.5 |    |    |    | 46   | 32  |
| DAPS-1920-...-F14   |    |      |    |       |    |    | -  | 30 | 18   |      |    |    |    |      |     |
| DAPS-1920-...-F1216 |    | 30   |    | 18    |    |    |    |    |      |      |    |    |    |      |     |

Data sheet

Dimensions

Download CAD data → [www.festo.com](http://www.festo.com)

Size 2880



| Size          | B1  | B2  | B3 | D1<br>∅ | D2 | D3  | D4 | D5<br>∅ | D6<br>∅ | D7 | EE   | H1  | H2  | H3 | H4 | H5 | J1 |
|---------------|-----|-----|----|---------|----|-----|----|---------|---------|----|------|-----|-----|----|----|----|----|
| DAPS-2880-... | 311 | 155 | 30 | 165     | M5 | M20 | M6 | 72      | 52      | M6 | G3/8 | 359 | 164 | 66 | 30 | 18 | 40 |

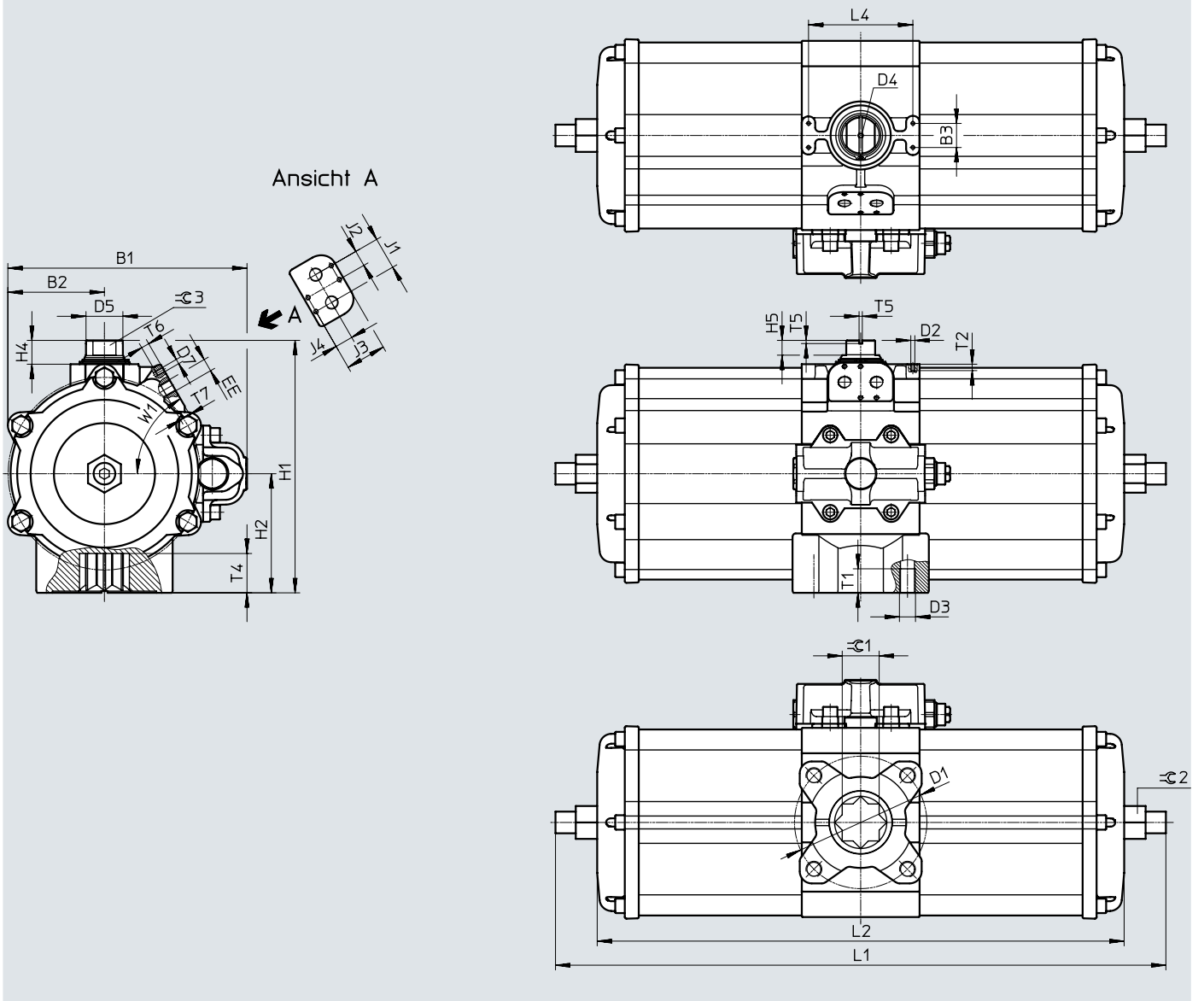
| Size          | J2 | J3 | J4   | L1<br>±2 | L2  | L3  | L4  | T1 | T2 | T4<br>±0.8 | T5 | T6 | W1  | ∅C1 | ∅C2 | ∅C3 |
|---------------|----|----|------|----------|-----|-----|-----|----|----|------------|----|----|-----|-----|-----|-----|
| DAPS-2880-... | 20 | 45 | 22.5 | 667      | 372 | 188 | 130 | 30 | 8  | 49.5       | 4  | 10 | 45° | 46  | 50  | 36  |

Data sheet

Dimensions

Download CAD data → [www.festo.com](http://www.festo.com)

Size 3840



| Size          | B1  | B2  | B3 | D1<br>∅ | D2 | D3  | D4 | D5<br>∅ | D7 | EE   | H1  | H2    | H4 | H5   | J1 | J2 |
|---------------|-----|-----|----|---------|----|-----|----|---------|----|------|-----|-------|----|------|----|----|
| DAPS-3840-... | 298 | 120 | 30 | 165     | M5 | M20 | M6 | 46      | M6 | G3/8 | 314 | 148.5 | 30 | 18.5 | 40 | 20 |

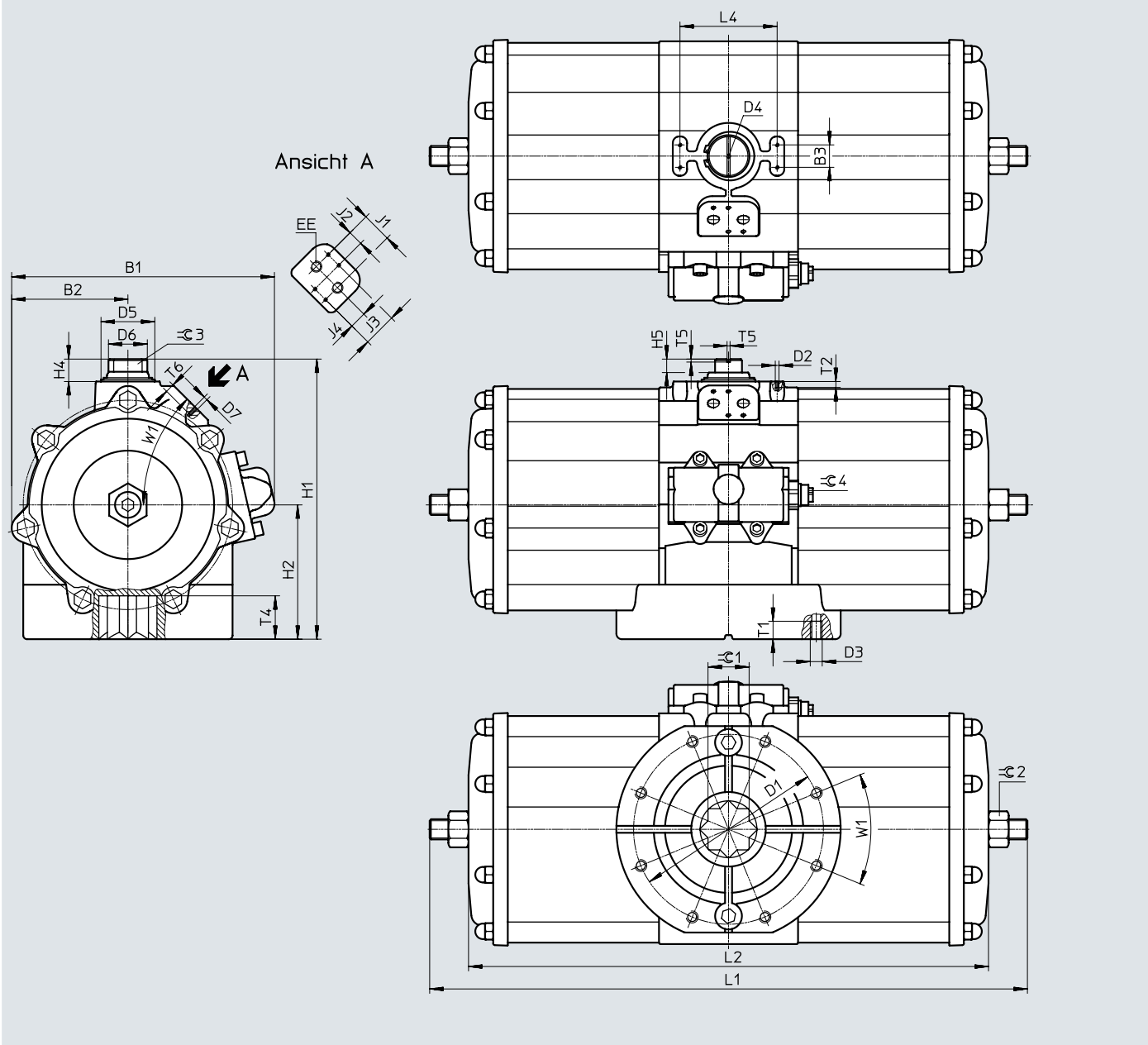
| Size          | J3 | J4   | L1<br>±2 | L2  | L4  | T1 | T2 | T4<br>±1 | T5 | T6 | T7 | W1  | ∅ 1 | ∅ 2 | ∅ 3 |
|---------------|----|------|----------|-----|-----|----|----|----------|----|----|----|-----|-----|-----|-----|
| DAPS-3840-... | 45 | 22.5 | 765      | 614 | 130 | 30 | 8  | 49       | 4  | 10 | 13 | 60° | 46  | 41  | 32  |

Data sheet

Dimensions

Download CAD data → [www.festo.com](http://www.festo.com)

Size 5760



| Size          | B1  | B2  | B3 | D1<br>∅ | D2 | D3  | D4 | D5<br>∅ | D6 | D7 | EE   | H1  | H2  | H4 | H5 | J1 |
|---------------|-----|-----|----|---------|----|-----|----|---------|----|----|------|-----|-----|----|----|----|
| DAPS-5760-... | 361 | 155 | 30 | 254     | M5 | M16 | M6 | 72      | 52 | M6 | G3/8 | 374 | 179 | 30 | 18 | 40 |

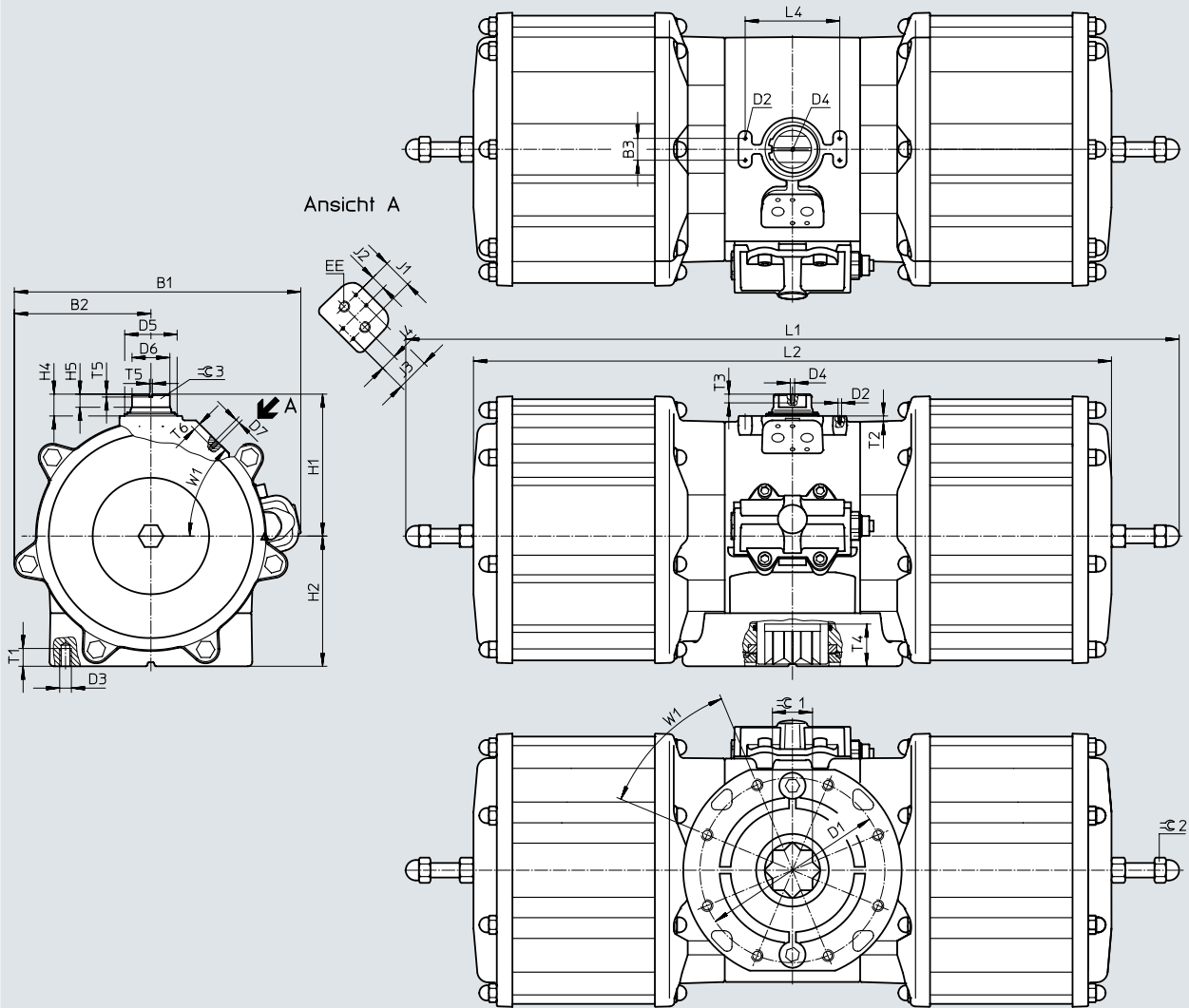
| Size          | J2 | J3 | J4   | L1<br>±2 | L2  | L4  | T1 | T2 | T4<br>±0.8 | T5 | T6 | W1  | ⌀ 1 | ⌀ 2 | ⌀ 3 | ⌀ 4 |
|---------------|----|----|------|----------|-----|-----|----|----|------------|----|----|-----|-----|-----|-----|-----|
| DAPS-5760-... | 20 | 45 | 22.5 | 885      | 744 | 130 | 24 | 8  | 58         | 4  | 10 | 45° | 55  | 50  | 36  | 15  |

Data sheet

Dimensions

Download CAD data → [www.festo.com](http://www.festo.com)

Size 8000



| Size          | B1  | B2  | B3 | D1<br>∅ | D2 | D3  | D4 | D5<br>∅ | D6<br>∅ | D7 | EE   | H1  | H2  | H4 | H5 | J1 |
|---------------|-----|-----|----|---------|----|-----|----|---------|---------|----|------|-----|-----|----|----|----|
| DAPS-8000-... | 394 | 188 | 30 | 254     | M5 | M16 | M6 | 72      | 52      | M6 | G3/8 | 195 | 179 | 30 | 18 | 40 |

| Size          | J2 | J3 | J4   | L1   | L2  | L4  | T1 | T2 | T3 | T4 | T5 | T6 | W1  | ⊕ 1 | ⊕ 2 | ⊕ 3 |
|---------------|----|----|------|------|-----|-----|----|----|----|----|----|----|-----|-----|-----|-----|
| DAPS-8000-... | 20 | 45 | 22.5 | 1044 | 877 | 130 | 24 | 8  | 12 | 58 | 4  | 10 | 45° | 55  | 30  | 36  |

## Data sheet

| Ordering data – Actuators |  | Part no. | Type                  | Part no.         | Type                  |
|---------------------------|--|----------|-----------------------|------------------|-----------------------|
| <b>Size 0008</b>          |  | 549666   | DAPS-0008-090-R-F03   | <b>Size 0720</b> |                       |
|                           |  |          |                       | 549667           | DAPS-0720-090-R-F1012 |
| <b>Size 0015</b>          |  | 533417   | DAPS-0015-090-R-F03   | <b>Size 0960</b> |                       |
|                           |  | 533475   | DAPS-0015-090-R-F04   | 533425           | DAPS-0960-090-R-F1012 |
| <b>Size 0030</b>          |  | 533418   | DAPS-0030-090-R-F0305 | 533478           | DAPS-0960-090-R-F14   |
|                           |  | 533476   | DAPS-0030-090-R-F04   | <b>Size 1440</b> |                       |
| <b>Size 0060</b>          |  | 533419   | DAPS-0060-090-R-F04   | 549668           | DAPS-1440-090-R-F12   |
|                           |  | 533477   | DAPS-0060-090-R-F0507 | 549669           | DAPS-1440-090-R-F14   |
| <b>Size 0106</b>          |  | 533420   | DAPS-0106-090-R-F0507 | <b>Size 1920</b> |                       |
| <b>Size 0180</b>          |  | 533421   | DAPS-0180-090-R-F0710 | 533426           | DAPS-1920-090-R-F14   |
| <b>Size 0240</b>          |  | 533422   | DAPS-0240-090-R-F0710 | 533479           | DAPS-1920-090-R-F1216 |
| <b>Size 0360</b>          |  | 533423   | DAPS-0360-090-R-F0710 | <b>Size 2880</b> |                       |
| <b>Size 0480</b>          |  | 533424   | DAPS-0480-090-R-F1012 | 549670           | DAPS-2880-090-R-F16   |
|                           |  |          |                       | <b>Size 3840</b> |                       |
|                           |  |          |                       | 549671           | DAPS-3840-090-R-F16   |
|                           |  |          |                       | <b>Size 5760</b> |                       |
|                           |  |          |                       | 549672           | DAPS-5760-090-F25     |
|                           |  |          |                       | <b>Size 8000</b> |                       |
|                           |  |          |                       | 560855           | DAPS-8000-090-R-F25   |

| Ordering data – Sets of wearing parts |  | Part no. | Type            | Part no.         | Type            |
|---------------------------------------|--|----------|-----------------|------------------|-----------------|
| <b>Size 0015</b>                      |  | 397470   | DAPS-0015       | <b>Size 0240</b> |                 |
|                                       |  |          |                 | 397475           | DAPS-0240/S0120 |
| <b>Size 0030</b>                      |  | 397471   | DAPS-0030/S0015 | <b>Size 0360</b> |                 |
|                                       |  |          |                 | 397476           | DAPS-0360/S0180 |
| <b>Size 0060</b>                      |  | 397472   | DAPS-0060/S0030 | <b>Size 0480</b> |                 |
|                                       |  |          |                 | 397477           | DAPS-0480/S0240 |
| <b>Size 0106</b>                      |  | 397473   | DAPS-0106/S0053 | <b>Size 0960</b> |                 |
|                                       |  |          |                 | 397478           | DAPS-0960/S0480 |
| <b>Size 0180</b>                      |  | 397474   | DAPS-0180/S0090 | <b>Size 1920</b> |                 |
|                                       |  |          |                 | 397479           | DAPS-1920/S0960 |

Data sheet

Ordering data – Actuators for variant T4

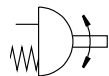
| Part no.         | Type                     | Part no.         | Type                     |
|------------------|--------------------------|------------------|--------------------------|
| <b>Size 0015</b> |                          | <b>Size 0240</b> |                          |
| 8030599          | DAPS-0015-090-R-F03-T4   | 8030607          | DAPS-0240-090-R-F0710-T4 |
| 8030600          | DAPS-0015-090-R-F04-T4   |                  |                          |
| <b>Size 0030</b> |                          | <b>Size 0360</b> |                          |
| 8030601          | DAPS-0030-090-R-F0305-T4 | 8030608          | DAPS-0360-090-R-F0710-T4 |
| 8030602          | DAPS-0030-090-R-F04-T4   |                  |                          |
| <b>Size 0060</b> |                          | <b>Size 0480</b> |                          |
| 8030603          | DAPS-0060-090-R-F04-T4   | 8030609          | DAPS-0480-090-R-F1012-T4 |
| 8030604          | DAPS-0060-090-R-F0507-T4 |                  |                          |
| <b>Size 0106</b> |                          | <b>Size 0720</b> |                          |
| 8030605          | DAPS-0106-090-R-F0507-T4 | 8030610          | DAPS-0720-090-R-F1012-T4 |
| <b>Size 0180</b> |                          | <b>Size 0960</b> |                          |
| 8030606          | DAPS-0180-090-R-F0710-T4 | 8030611          | DAPS-0960-090-R-F1012-T4 |
|                  |                          | 8030612          | DAPS-0960-090-R-F14-T4   |


Ordering data – Actuators for variant T6

| Part no.         | Type                     | Part no.         | Type                     |
|------------------|--------------------------|------------------|--------------------------|
| <b>Size 0015</b> |                          | <b>Size 0720</b> |                          |
| 553170           | DAPS-0015-090-R-F03-T6   | 553181           | DAPS-0720-090-R-F1012-T6 |
| 553171           | DAPS-0015-090-R-F04-T6   |                  |                          |
| <b>Size 0030</b> |                          | <b>Size 0960</b> |                          |
| 553172           | DAPS-0030-090-R-F0305-T6 | 553182           | DAPS-0960-090-R-F12-T6   |
| 553173           | DAPS-0030-090-R-F04-T6   | 553183           | DAPS-0960-090-R-F14-T6   |
| <b>Size 0060</b> |                          | <b>Size 1440</b> |                          |
| 553174           | DAPS-0060-090-R-F04-T6   | 553184           | DAPS-1440-090-R-F12-T6   |
| 553175           | DAPS-0060-090-R-F0507-T6 | 553185           | DAPS-1440-090-R-F14-T6   |
| <b>Size 0106</b> |                          | <b>Size 1920</b> |                          |
| 553176           | DAPS-0106-090-R-F0507-T6 | 553186           | DAPS-1920-090-R-F14-T6   |
| <b>Size 0180</b> |                          | 553187           | DAPS-1920-090-R-F1216-T6 |
| 553177           | DAPS-0180-090-R-F0710-T6 | <b>Size 2880</b> |                          |
| <b>Size 0240</b> |                          | 553188           | DAPS-2880-090-R-F16-T6   |
| 553178           | DAPS-0240-090-R-F0710-T6 | <b>Size 3840</b> |                          |
| <b>Size 0360</b> |                          | 553189           | DAPS-3840-090-R-F16-T6   |
| 553179           | DAPS-0360-090-R-F0710-T6 | <b>Size 5760</b> |                          |
| <b>Size 0480</b> |                          | 553190           | DAPS-5760-090-R-F25-T6   |
| 553180           | DAPS-0480-090-R-F1012-T6 |                  |                          |

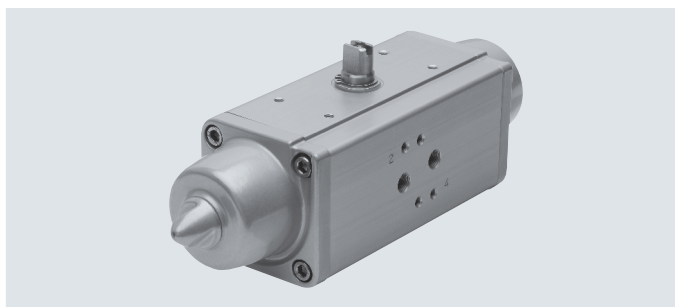
## Data sheet


### Function




 Swivel angle  
0 ... 90°

Sets of wearing parts  
→ Page 39



 Size  
0015 ... 4000

 Torque  
15 ... 4000 Nm

### General technical data

| Size                                     | 0015 ... 0180                           | 0240 ... 0960 | 1440 ... 2880 | 4000 |
|--|---|---------------|---------------|------|
| Pneumatic connection                     | G1/8                                    | G1/4          | G3/8          | G3/8 |
| Design                                   | Scotch yoke system                      |               |               |      |
| Mode of operation                        | Single-acting                           |               |               |      |
| Mounting position                        | Any                                     |               |               |      |
| Position sensing                         | Without                                 |               |               |      |
| Cushioning                               | No cushioning                           |               |               |      |
| Swivel angle [°]                         | 90                                      |               |               |      |
| End-position adjusting range at 0°       |   |               |               |      |
| DAPS ... RS- ... [°]                     | One adjustable end position, -1 ... +9  |               | ±5            |      |
| DAPS ... RS- ... T4 [°]                  |   |               | -             |      |
| DAPS ... RS- ... T6 [°]                  |   |               | ±5            | -    |
| End-position adjusting range at 90°      |   |               |               |      |
| DAPS ... RS- ... [°]                     | One adjustable end position, 81 ... +91 |               | 85 ... 95     |      |
| DAPS ... RS- ... T4 [°]                  |   |               | -             |      |
| DAPS ... RS- ... T6 [°]                  |   |               | 85 ... 95     | -    |
| Note on the end-position adjusting range | One optionally adjustable end position  |               |               |      |
| Closing direction                        | Closes to the right                     |               |               |      |

### Operating and environmental conditions

| Size   | 0015 ... 0480  | 0720 ... 2880 | 4000 |
|--|--|---------------|------|
| Nominal operating pressure [bar]             | 5.6  |               |      |
| Operating pressure <sup>1)</sup>             |  |               |      |
| DAPS ... RS1- ... [bar]                      | 2.8 ... 8.4  |               |      |
| DAPS ... RS2- ... [bar]                      | 3.5 ... 8.4  |               |      |
| DAPS ... RS3- ... [bar]                      | 4.2 ... 8.4  |               |      |
| DAPS ... RS4- ... [bar]                      | 5.6 ... 8.4  |               |      |
| Operating medium                             | Compressed air to ISO 8573-1:2010 [7:4:4]  |               |      |
| Note on operating/pilot medium               | Lubricated operation possible (in which case lubricated operation will always be required) |               |      |
| Ambient temperature                          |  |               |      |
| DAPS ... RS- ... [°C]                        | -20 ... +80  |               |      |
| DAPS ... RS- ... T4 [°C]                     | -20 ... +150   |               | -    |
| DAPS ... RS- ... T6 [°C]                     | -50 ... +60  |               | -    |
| Corrosion resistance class CRC <sup>2)</sup> | 3  |               |      |
| Process valve connection to standard         | ISO 5211   |               |      |
| Valve connection conforms to standard        | VDI/VDE 3845 (NAMUR)   |               |      |
| Safety integrity level (SIL)                 | Up to SIL 2 high demand mode   |               |      |
|  | Up to SIL 2 low demand mode  |               |      |

1) Minimum operating pressures vary for single-acting quarter turn actuators depending on spring quantity

2) Corrosion resistance class CRC 3 to Festo standard FN 940070

High corrosion stress. Outdoor exposure under moderate corrosive conditions. Externally visible parts with primarily functional surface requirements which are in direct contact with a normal industrial environment.



## Data sheet


| ATEX                                       |   |  |
|--|---|--|
| ATEX category for gas                      | II 2G                                       |  |
| Type of ignition protection for gas        | Ex h IIC T6 ... T3 Gb X                     |  |
| ATEX category for dust                     | II 2D                                       |  |
| Type of ignition protection for dust       | Ex h IIIC T85°C ... T200°C Db X             |  |
| Explosion-proof ambient temperature        | Standard                                    | $-20^{\circ}\text{C} \leq T_a \leq +60^{\circ}\text{C}$  |
|  | Version T4                                  | $-20^{\circ}\text{C} \leq T_a \leq +150^{\circ}\text{C}$ |
|  | Version T6                                  | $-50^{\circ}\text{C} \leq T_a \leq +60^{\circ}\text{C}$  |
| CE marking (see declaration of conformity) | To EU Explosion Protection Directive (ATEX) |  |

| Air consumption [l/cycle 0°-nominal swivel angle-0°] at 6 bar |       | Weight [g] |        |
|---|-------|------------|--------|
| Size  |       | Size       |        |
| DAPS-0015   | 0.63  | DAPS-0015  | 1200   |
| DAPS-0030   | 1.19  | DAPS-0030  | 1950   |
| DAPS-0053   | 2.1   | DAPS-0053  | 3000   |
| DAPS-0090   | 3.85  | DAPS-0090  | 5900   |
| DAPS-0120   | 5.6   | DAPS-0120  | 6800   |
| DAPS-0180   | 7     | DAPS-0180  | 8900   |
| DAPS-0240   | 10.5  | DAPS-0240  | 11800  |
| DAPS-0360   | 14    | DAPS-0360  | 16500  |
| DAPS-0480   | 19.6  | DAPS-0480  | 22700  |
| DAPS-0720   | 29.4  | DAPS-0720  | 33000  |
| DAPS-0960   | 41.3  | DAPS-0960  | 42000  |
| DAPS-1440   | 77    | DAPS-1440  | 74000  |
| DAPS-1920   | 91.7  | DAPS-1920  | 67000  |
| DAPS-2880   | 147   | DAPS-2880  | 117000 |
| DAPS-4000   | 203.7 | DAPS-4000  | 183000 |

| Materials              |                         |  | Material number |
|------------------------|-------------------------|--|-----------------|
| Quarter turn actuators |                         |  |                 |
| Housing                | Wrought aluminium alloy |  | -               |
| Cover                  | Wrought aluminium alloy |  | -               |
| Shaft                  | High-alloy steel        |  | 1.4305          |
| External screws        | High-alloy steel        |  | -               |
| Seals                  | Standard                | FPM, NBR, PUR  | -               |
|                        | T4                      | FPM, reinforced PTFE   | -               |
|                        | T6                      | FVMQ, reinforced PTFE  | -               |
| Note on materials      | Standard                | RoHS-compliant   | -               |
|                        | T4                      | Contains paint-wetting impairment substances, RoHS-compliant | -               |
|                        | T6                      | Contains paint-wetting impairment substances, RoHS-compliant | -               |

Data sheet


| Actual torque [Nm] as a function of operating pressure [bar], spring force and swivel angle [°] |                    |       |       |                          |      |      |      |      |      |       |       |       |       |       |      |      |       |       |
|---|--------------------|-------|-------|--------------------------|------|------|------|------|------|-------|-------|-------|-------|-------|------|------|-------|-------|
| Spring force  | Spring torque [Nm] |       |       | Operating pressure [bar] |      |      |      |      |      |       |       |       |       |       |      |      |       |       |
|   |                    |       |       | 2.5                      |      |      | 2.8  |      |      | 3     |       |       | 3.5   |       |      | 4.2  |       |       |
|   | 0°                 | 50°   | 90°   | 0°                       | 50°  | 90°  | 0°   | 50°  | 90°  | 0°    | 50°   | 90°   | 0°    | 50°   | 90°  | 0°   | 50°   | 90°   |
| <b>DAPS-0015</b>  |                    |       |       |                          |      |      |      |      |      |       |       |       |       |       |      |      |       |       |
| 1   | 5.0                | 3.7   | 7.5   | 6.2                      | 2.9  | 3.7  | 7.5  | 3.7  | 5    | 8.4   | 4.2   | 5.9   | 10.6  | 5.6   | 8.1  | 13.8 | 7.4   | 11.3  |
| 2   | 6.3                | 4.7   | 9.4   | -                        | -    | -    | -    | -    | -    | 7.2   | 3.3   | 4     | 9.4   | 4.7   | 6.3  | 12.6 | 6.5   | 9.4   |
| 3   | 7.5                | 5.6   | 11.3  | -                        | -    | -    | -    | -    | -    | -     | -     | -     | 8.2   | 3.7   | 4.4  | 11.3 | 5.6   | 7.5   |
| 4   | 10.0               | 7.5   | 15    | -                        | -    | -    | -    | -    | -    | -     | -     | -     | -     | -     | -    | -    | -     | -     |
| <b>DAPS-0030</b>  |                    |       |       |                          |      |      |      |      |      |       |       |       |       |       |      |      |       |       |
| 1   | 10.0               | 7.5   | 15    | 12.3                     | 5.9  | 7.3  | 15   | 7.5  | 10   | 16.8  | 8.6   | 11.8  | 21.3  | 11.3  | 16.3 | 27.5 | 15    | 22.5  |
| 2   | 12.5               | 9.4   | 18.8  | -                        | -    | -    | -    | -    | -    | 14.3  | 6.7   | 8     | 18.8  | 9.4   | 12.5 | 25.1 | 13.2  | 18.8  |
| 3   | 15.0               | 11.3  | 22.5  | -                        | -    | -    | -    | -    | -    | -     | -     | -     | 16.3  | 7.5   | 8.8  | 22.5 | 11.3  | 15    |
| 4   | 20.0               | 15    | 30    | -                        | -    | -    | -    | -    | -    | -     | -     | -     | -     | -     | -    | -    | -     | -     |
| <b>DAPS-0053</b>  |                    |       |       |                          |      |      |      |      |      |       |       |       |       |       |      |      |       |       |
| 1   | 17.5               | 13    | 26.5  | 21.8                     | 10.2 | 12.8 | 26.5 | 13   | 17.5 | 29.6  | 14.9  | 20.6  | 37.5  | 19.5  | 28.5 | 48.5 | 26    | 39.5  |
| 2   | 22                 | 16.5  | 33    | -                        | -    | -    | -    | -    | -    | 25.1  | 11.8  | 14.1  | 33    | 16.5  | 22   | 44   | 23.1  | 33    |
| 3   | 26                 | 19.5  | 40    | -                        | -    | -    | -    | -    | -    | -     | -     | -     | 29    | 13    | 15   | 40   | 19.5  | 26    |
| 4   | 35                 | 26    | 53    | -                        | -    | -    | -    | -    | -    | -     | -     | -     | -     | -     | -    | -    | -     | -     |
| <b>DAPS-0090</b>  |                    |       |       |                          |      |      |      |      |      |       |       |       |       |       |      |      |       |       |
| 1   | 30                 | 22.5  | 45    | 37                       | 17.7 | 22   | 45   | 22.5 | 30   | 50.4  | 25.7  | 35.4  | 63.8  | 33.8  | 48.8 | 82.5 | 45    | 67.5  |
| 2   | 37.5               | 28.1  | 56.3  | -                        | -    | -    | -    | -    | -    | 42.9  | 20.1  | 24.1  | 56.3  | 28.1  | 37.5 | 75.1 | 39.4  | 56.3  |
| 3   | 45                 | 33.9  | 67.5  | -                        | -    | -    | -    | -    | -    | -     | -     | -     | 48.8  | 22.6  | 26.3 | 67.5 | 33.9  | 45    |
| 4   | 60                 | 45    | 90    | -                        | -    | -    | -    | -    | -    | -     | -     | -     | -     | -     | -    | -    | -     | -     |
| <b>DAPS-0120</b>  |                    |       |       |                          |      |      |      |      |      |       |       |       |       |       |      |      |       |       |
| 1   | 40                 | 30    | 60    | 49.3                     | 23.6 | 29.3 | 60   | 30   | 40   | 67.1  | 34.3  | 47.1  | 85    | 45    | 65   | 110  | 60    | 90    |
| 2   | 50                 | 37.5  | 75    | -                        | -    | -    | -    | -    | -    | 57.1  | 26.8  | 32.1  | 75    | 37.5  | 50   | 100  | 52.5  | 75    |
| 3   | 60                 | 45    | 90    | -                        | -    | -    | -    | -    | -    | -     | -     | -     | 65    | 30    | 35   | 90   | 45    | 60    |
| 4   | 80                 | 60    | 120   | -                        | -    | -    | -    | -    | -    | -     | -     | -     | -     | -     | -    | -    | -     | -     |
| <b>DAPS-0180</b>  |                    |       |       |                          |      |      |      |      |      |       |       |       |       |       |      |      |       |       |
| 1   | 60                 | 45    | 90    | 73.9                     | 35.4 | 43.9 | 90   | 45   | 60   | 100.7 | 51.4  | 70.7  | 127.5 | 67.5  | 97.5 | 165  | 90    | 135   |
| 2   | 75                 | 56.3  | 112.5 | -                        | -    | -    | -    | -    | -    | 85.7  | 40.2  | 48.2  | 112.5 | 56.3  | 75   | 150  | 78.8  | 112.5 |
| 3   | 90                 | 67.5  | 135   | -                        | -    | -    | -    | -    | -    | -     | -     | -     | 97.5  | 45    | 52.5 | 135  | 67.5  | 90    |
| 4   | 120                | 90    | 180   | -                        | -    | -    | -    | -    | -    | -     | -     | -     | -     | -     | -    | -    | -     | -     |
| <b>DAPS-0240</b>  |                    |       |       |                          |      |      |      |      |      |       |       |       |       |       |      |      |       |       |
| 1   | 80                 | 60    | 120   | 98.6                     | 47.1 | 58.6 | 120  | 60   | 80   | 134.3 | 68.6  | 94.3  | 170   | 90    | 130  | 220  | 120   | 180   |
| 2   | 100                | 75    | 150   | -                        | -    | -    | -    | -    | -    | 114.3 | 53.6  | 64.3  | 150   | 75    | 100  | 200  | 105   | 150   |
| 3   | 120                | 90    | 180   | -                        | -    | -    | -    | -    | -    | -     | -     | -     | 130   | 60    | 70   | 180  | 90    | 120   |
| 4   | 160                | 120   | 240   | -                        | -    | -    | -    | -    | -    | -     | -     | -     | -     | -     | -    | -    | -     | -     |
| <b>DAPS-0360</b>  |                    |       |       |                          |      |      |      |      |      |       |       |       |       |       |      |      |       |       |
| 1   | 120                | 90    | 180   | 147.9                    | 70.7 | 87.9 | 180  | 90   | 120  | 201.4 | 102.9 | 141.1 | 255   | 135   | 195  | 330  | 180   | 270   |
| 2   | 150                | 112.5 | 225   | -                        | -    | -    | -    | -    | -    | 171.4 | 80.4  | 96.4  | 225   | 112.5 | 150  | 300  | 157.5 | 225   |
| 3   | 180                | 135   | 270   | -                        | -    | -    | -    | -    | -    | -     | -     | -     | 195   | 90    | 105  | 270  | 135   | 180   |
| 4   | 240                | 180   | 360   | -                        | -    | -    | -    | -    | -    | -     | -     | -     | -     | -     | -    | -    | -     | -     |

 **Note**  
 The operating torque of the actuator must not be greater than the maximum permissible torque listed in ISO 5211 in relation to the size of the mounting flange and of the coupling.

## Data sheet

| Actual torque [Nm] as a function of operating pressure [bar], spring force and swivel angle [°] |                          |       |       |       |       |       |       |       |       |       |       |      |       |       |       |
|---|--------------------------|-------|-------|-------|-------|-------|-------|-------|-------|-------|-------|------|-------|-------|-------|
| Spring force  | Operating pressure [bar] |       |       |       |       |       |       |       |       |       |       |      |       |       |       |
|   | 5                        |       |       | 5.6   |       |       | 6     |       |       | 7     |       |      | 8     |       |       |
|   | 0°                       | 50°   | 90°   | 0°    | 50°   | 90°   | 0°    | 50°   | 90°   | 0°    | 50°   | 90°  | 0°    | 50°   | 90°   |
| <b>DAPS-0015</b>  |                          |       |       |       |       |       |       |       |       |       |       |      |       |       |       |
| 1   | -                        |       |       | -     |       |       | -     |       |       | -     |       |      | -     |       |       |
| 2   | 16.1                     | 8.7   | 13    | 18.8  | 10.3  | 15.7  | -     |       |       | -     |       |      | -     |       |       |
| 3   | 14.9                     | 7.7   | 11.1  | 17.6  | 9.3   | 13.8  | 19.4  | 10.4  | 15.6  | 23.8  | 13.1  | 20   | 28.3  | 15.7  | 24.5  |
| 4   | 12.3                     | 5.9   | 7.3   | 15    | 7.5   | 10    | 16.8  | 8.6   | 11.8  | 21.3  | 11.3  | 16.3 | 25.7  | 13.9  | 20.7  |
| <b>DAPS-0030</b>  |                          |       |       |       |       |       |       |       |       |       |       |      |       |       |       |
| 1   | -                        |       |       | -     |       |       | -     |       |       | -     |       |      | -     |       |       |
| 2   | 32.2                     | 17.5  | 25.9  | 37.6  | 20.7  | 31.3  | -     |       |       | -     |       |      | -     |       |       |
| 3   | 29.6                     | 15.6  | 22.1  | 35    | 18.8  | 27.5  | 38.6  | 21    | 31.1  | 47.5  | 26.4  | 40   | 56.4  | 31.7  | 48.9  |
| 4   | 24.6                     | 11.8  | 14.6  | 30    | 15    | 20    | 33.6  | 17.1  | 23.6  | 42.5  | 22.5  | 32.5 | 51.4  | 27.9  | 41.4  |
| <b>DAPS-0053</b>  |                          |       |       |       |       |       |       |       |       |       |       |      |       |       |       |
| 1   | -                        |       |       | -     |       |       | -     |       |       | -     |       |      | -     |       |       |
| 2   | 56.6                     | 30.6  | 45.6  | 66    | 36.3  | 55    | -     |       |       | -     |       |      | -     |       |       |
| 3   | 52.6                     | 26.9  | 38.6  | 62    | 32.5  | 48    | 68.3  | 36.2  | 54.3  | 84    | 45.5  | 70   | 99.7  | 54.8  | 85.7  |
| 4   | 43.6                     | 20.4  | 25.6  | 53    | 26    | 35    | 59.3  | 29.7  | 41.3  | 75    | 39    | 57   | 90    | 48.3  | 72.7  |
| <b>DAPS-0090</b>  |                          |       |       |       |       |       |       |       |       |       |       |      |       |       |       |
| 1   | -                        |       |       | -     |       |       | -     |       |       | -     |       |      | -     |       |       |
| 2   | 96.5                     | 52.2  | 77.7  | 112.6 | 61.9  | 93.8  | -     |       |       | -     |       |      | -     |       |       |
| 3   | 88.9                     | 46.8  | 66.4  | 105   | 56.5  | 82.5  | 115.7 | 63    | 93.2  | 142.5 | 79.1  | 120  | 169.3 | 95.2  | 146.8 |
| 4   | 73.9                     | 35.4  | 43.9  | 90    | 45    | 60    | 100.7 | 51.4  | 70.7  | 127.5 | 67.5  | 97.5 | 154.3 | 83.6  | 124.3 |
| <b>DAPS-0120</b>  |                          |       |       |       |       |       |       |       |       |       |       |      |       |       |       |
| 1   | -                        |       |       | -     |       |       | -     |       |       | -     |       |      | -     |       |       |
| 2   | 128.6                    | 69.6  | 103.6 | 150   | 82.5  | 125   | -     |       |       | -     |       |      | -     |       |       |
| 3   | 118.6                    | 62.1  | 88.6  | 140   | 75    | 110   | 154.3 | 83.6  | 124.3 | 190   | 105   | 160  | 225.7 | 126.4 | 195.7 |
| 4   | 98.6                     | 47.1  | 58.6  | 120   | 60    | 80    | 134.4 | 68.6  | 94.3  | 170   | 90    | 130  | 205.7 | 111.4 | 165.7 |
| <b>DAPS-0180</b>  |                          |       |       |       |       |       |       |       |       |       |       |      |       |       |       |
| 1   | -                        |       |       | -     |       |       | -     |       |       | -     |       |      | -     |       |       |
| 2   | 192.9                    | 104.5 | 155.4 | 225   | 123.8 | 187.5 | -     |       |       | -     |       |      | -     |       |       |
| 3   | 177.9                    | 93.2  | 132.9 | 210   | 112.5 | 165   | 231.4 | 125.4 | 186.4 | 285   | 157.5 | 240  | 338.6 | 189.6 | 293.6 |
| 4   | 147.9                    | 70.7  | 87.9  | 180   | 90    | 120   | 201.4 | 102.9 | 141.4 | 255   | 135   | 195  | 308.6 | 167.6 | 284.6 |
| <b>DAPS-0240</b>  |                          |       |       |       |       |       |       |       |       |       |       |      |       |       |       |
| 1   | -                        |       |       | -     |       |       | -     |       |       | -     |       |      | -     |       |       |
| 2   | 257.1                    | 139.3 | 207.1 | 300   | 165   | 250   | -     |       |       | -     |       |      | -     |       |       |
| 3   | 237.1                    | 124.3 | 177.1 | 280   | 150   | 220   | 308.6 | 167.1 | 248.6 | 380   | 210   | 320  | 451.4 | 252.9 | 391.4 |
| 4   | 197.1                    | 94.3  | 117.1 | 240   | 120   | 160   | 268.6 | 137.1 | 188.6 | 340   | 180   | 260  | 411.4 | 222.9 | 331.4 |
| <b>DAPS-0360</b>  |                          |       |       |       |       |       |       |       |       |       |       |      |       |       |       |
| 1   | -                        |       |       | -     |       |       | -     |       |       | -     |       |      | -     |       |       |
| 2   | 385.7                    | 208.9 | 310.7 | 450   | 247.5 | 375   | -     |       |       | -     |       |      | -     |       |       |
| 3   | 355.7                    | 186.4 | 265.7 | 420   | 225   | 330   | 462.9 | 250.7 | 372.9 | 570   | 315   | 480  | 677.1 | 379.3 | 587.1 |
| 4   | 295.7                    | 141.4 | 175.7 | 360   | 180   | 240   | 402.9 | 205.7 | 282.9 | 510   | 270   | 390  | 617.1 | 334.3 | 497.1 |

Torque for size at 5.6 bar  
and swivel angle 0°

 **Note**

The operating torque of the actuator must not be greater than the maximum permissible torque listed in ISO 5211 in relation to the size of the mounting flange and of the coupling.

Data sheet

| Actual torque [Nm] as a function of operating pressure [bar], spring force and swivel angle [°] |                    |      |      |                          |       |       |      |      |      |       |       |       |      |      |      |      |      |      |
|---|--------------------|------|------|--------------------------|-------|-------|------|------|------|-------|-------|-------|------|------|------|------|------|------|
| Spring force  | Spring torque [Nm] |      |      | Operating pressure [bar] |       |       |      |      |      |       |       |       |      |      |      |      |      |      |
|   |                    |      |      | 2.5                      |       |       | 2.8  |      |      | 3     |       |       | 3.5  |      |      | 4.2  |      |      |
|   | 0°                 | 50°  | 90°  | 0°                       | 50°   | 90°   | 0°   | 50°  | 90°  | 0°    | 50°   | 90°   | 0°   | 50°  | 90°  | 0°   | 50°  | 90°  |
| <b>DAPS-0480</b>  |                    |      |      |                          |       |       |      |      |      |       |       |       |      |      |      |      |      |      |
| 1   | 160                | 120  | 240  | 197.1                    | 94.3  | 117.1 | 240  | 120  | 160  | 268.6 | 137.1 | 188.6 | 340  | 180  | 260  | 440  | 240  | 360  |
| 2   | 200                | 150  | 300  | -                        | -     | -     | -    | -    | -    | 228.6 | 107.1 | 128.6 | 300  | 150  | 200  | 400  | 210  | 300  |
| 3   | 240                | 180  | 360  | -                        | -     | -     | -    | -    | -    | -     | -     | -     | 260  | 120  | 140  | 360  | 180  | 240  |
| 4   | 320                | 240  | 480  | -                        | -     | -     | -    | -    | -    | -     | -     | -     | -    | -    | -    | -    | -    | -    |
| <b>DAPS-0720</b>  |                    |      |      |                          |       |       |      |      |      |       |       |       |      |      |      |      |      |      |
| 1   | 240                | 180  | 360  | 295.7                    | 141.4 | 175.7 | 360  | 180  | 240  | 402.9 | 205.7 | 282.9 | 510  | 270  | 390  | 660  | 360  | 540  |
| 2   | 300                | 225  | 450  | -                        | -     | -     | -    | -    | -    | 342.9 | 160.7 | 192.9 | 450  | 225  | 300  | 600  | 315  | 450  |
| 3   | 360                | 270  | 540  | -                        | -     | -     | -    | -    | -    | -     | -     | -     | 390  | 180  | 210  | 540  | 270  | 360  |
| 4   | 480                | 360  | 720  | -                        | -     | -     | -    | -    | -    | -     | -     | -     | -    | -    | -    | -    | -    | -    |
| <b>DAPS-0960</b>  |                    |      |      |                          |       |       |      |      |      |       |       |       |      |      |      |      |      |      |
| 1   | 320                | 240  | 480  | 394.3                    | 188.6 | 234.3 | 480  | 240  | 320  | 537.1 | 274.3 | 377.1 | 680  | 360  | 520  | 880  | 480  | 720  |
| 2   | 400                | 300  | 600  | -                        | -     | -     | -    | -    | -    | 457.1 | 214.3 | 257.1 | 600  | 300  | 400  | 800  | 420  | 600  |
| 3   | 480                | 360  | 720  | -                        | -     | -     | -    | -    | -    | -     | -     | -     | 520  | 240  | 280  | 720  | 360  | 480  |
| 4   | 640                | 480  | 960  | -                        | -     | -     | -    | -    | -    | -     | -     | -     | -    | -    | -    | -    | -    | -    |
| <b>DAPS-1440</b>  |                    |      |      |                          |       |       |      |      |      |       |       |       |      |      |      |      |      |      |
| 1   | 480                | 360  | 720  | 591                      | 282   | 351   | 720  | 360  | 480  | 805   | 411   | 565   | 1020 | 540  | 780  | 1320 | 720  | 1080 |
| 2   | 600                | 450  | 900  | -                        | -     | -     | -    | -    | -    | 685   | 321   | 385   | 900  | 450  | 600  | 1200 | 630  | 900  |
| 3   | 720                | 540  | 1080 | -                        | -     | -     | -    | -    | -    | -     | -     | -     | 780  | 360  | 420  | 1080 | 540  | 720  |
| 4   | 960                | 720  | 1440 | -                        | -     | -     | -    | -    | -    | -     | -     | -     | -    | -    | -    | -    | -    | -    |
| <b>DAPS-1920</b>  |                    |      |      |                          |       |       |      |      |      |       |       |       |      |      |      |      |      |      |
| 1   | 640                | 480  | 960  | 778                      | 377   | 468   | 960  | 480  | 640  | 1074  | 548   | 754   | 1360 | 720  | 1040 | 1760 | 960  | 1440 |
| 2   | 800                | 600  | 1200 | -                        | -     | -     | -    | -    | -    | 914   | 428   | 514   | 1200 | 600  | 800  | 1600 | 840  | 1200 |
| 3   | 960                | 720  | 1440 | -                        | -     | -     | -    | -    | -    | -     | -     | -     | 1040 | 480  | 560  | 1440 | 720  | 960  |
| 4   | 1280               | 960  | 1920 | -                        | -     | -     | -    | -    | -    | -     | -     | -     | -    | -    | -    | -    | -    | -    |
| <b>DAPS-2880</b>  |                    |      |      |                          |       |       |      |      |      |       |       |       |      |      |      |      |      |      |
| 1   | 960                | 720  | 1440 | 1183                     | 566   | 703   | 1440 | 720  | 960  | 1611  | 823   | 1131  | 2040 | 1080 | 1560 | 2640 | 1440 | 2160 |
| 2   | 1200               | 900  | 1800 | -                        | -     | -     | -    | -    | -    | 1370  | 643   | 771   | 1800 | 900  | 1200 | 2400 | 1260 | 1800 |
| 3   | 1440               | 1080 | 2160 | -                        | -     | -     | -    | -    | -    | -     | -     | -     | 1560 | 720  | 840  | 2160 | 1080 | 1440 |
| 4   | 1920               | 1440 | 2880 | -                        | -     | -     | -    | -    | -    | -     | -     | -     | -    | -    | -    | -    | -    | -    |
| <b>DAPS-4000</b>  |                    |      |      |                          |       |       |      |      |      |       |       |       |      |      |      |      |      |      |
| 1   | 1333               | 1000 | 2000 | 1524                     | 714   | 857   | 2000 | 1000 | 1333 | 2238  | 1143  | 1571  | 2833 | 1500 | 2166 | 3666 | 2000 | 2999 |
| 2   | 1666               | 1250 | 2500 | -                        | -     | -     | -    | -    | -    | 1905  | 893   | 1071  | 2500 | 1250 | 1666 | 3333 | 1750 | 2499 |
| 3   | 1999               | 1500 | 3000 | -                        | -     | -     | -    | -    | -    | -     | -     | -     | 2167 | 1000 | 1166 | 3000 | 1500 | 1999 |
| 4   | 2666               | 2000 | 4000 | -                        | -     | -     | -    | -    | -    | -     | -     | -     | -    | -    | -    | -    | -    | -    |



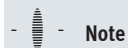
**Note**

The operating torque of the actuator must not be greater than the maximum permissible torque listed in ISO 5211 in relation to the size of the mounting flange and of the coupling.

## Data sheet

| Actual torque [Nm] as a function of operating pressure [bar], spring force and swivel angle [°] |                          |       |       |      |      |      |        |       |       |      |      |      |        |        |        |
|---|--------------------------|-------|-------|------|------|------|--------|-------|-------|------|------|------|--------|--------|--------|
| Spring force  | Operating pressure [bar] |       |       |      |      |      |        |       |       |      |      |      |        |        |        |
|   | 5                        |       |       | 5.6  |      |      | 6      |       |       | 7    |      |      | 8      |        |        |
|   | 0°                       | 50°   | 90°   | 0°   | 50°  | 90°  | 0°     | 50°   | 90°   | 0°   | 50°  | 90°  | 0°     | 50°    | 90°    |
| <b>DAPS-0480</b>  |                          |       |       |      |      |      |        |       |       |      |      |      |        |        |        |
| 1   | -                        |       |       | -    |      |      | -      |       |       | -    |      |      | -      |        |        |
| 2   | 514.3                    | 278.6 | 414.3 | 600  | 330  | 500  | -      |       |       | -    |      |      | -      |        |        |
| 3   | 474.3                    | 248.6 | 354.3 | 560  | 300  | 440  | 617.1  | 334.3 | 497.1 | 760  | 420  | 640  | 902.9  | 505.7  | 782.9  |
| 4   | 394.3                    | 118.6 | 234.3 | 480  | 240  | 320  | 537.1  | 274.3 | 377.1 | 680  | 360  | 520  | 822.9  | 445.7  | 662.9  |
| <b>DAPS-0720</b>  |                          |       |       |      |      |      |        |       |       |      |      |      |        |        |        |
| 1   | -                        |       |       | -    |      |      | -      |       |       | -    |      |      | -      |        |        |
| 2   | 771.4                    | 417.9 | 621.4 | 900  | 495  | 750  | -      |       |       | -    |      |      | -      |        |        |
| 3   | 711.4                    | 372.9 | 531.4 | 840  | 450  | 660  | 925.7  | 501.4 | 745.7 | 1140 | 630  | 960  | 1354   | 758.6  | 1174   |
| 4   | 591.4                    | 282.9 | 351.4 | 720  | 360  | 480  | 805.7  | 411.4 | 565.7 | 1020 | 540  | 780  | 1234   | 668.6  | 994.3  |
| <b>DAPS-0960</b>  |                          |       |       |      |      |      |        |       |       |      |      |      |        |        |        |
| 1   | -                        |       |       | -    |      |      | -      |       |       | -    |      |      | -      |        |        |
| 2   | 1028.6                   | 557.1 | 828.6 | 1200 | 660  | 1000 | -      |       |       | -    |      |      | -      |        |        |
| 3   | 948.6                    | 497.1 | 708.6 | 1120 | 600  | 880  | 1234.3 | 668.6 | 994.3 | 1520 | 840  | 1280 | 1805.7 | 1011.4 | 1565.7 |
| 4   | 788.6                    | 377.1 | 468.6 | 960  | 480  | 640  | 1074.3 | 548.6 | 754.3 | 1360 | 720  | 1040 | 1645.7 | 891.4  | 1325.7 |
| <b>DAPS-1440</b>  |                          |       |       |      |      |      |        |       |       |      |      |      |        |        |        |
| 1   | -                        |       |       | -    |      |      | -      |       |       | -    |      |      | -      |        |        |
| 2   | 1542                     | 835   | 1242  | 1800 | 990  | 1500 | -      |       |       | -    |      |      | -      |        |        |
| 3   | 1422                     | 745   | 1062  | 1680 | 900  | 1320 | 1851   | 1002  | 1491  | 2280 | 1260 | 1920 | 2708   | 1517   | 2348   |
| 4   | 1182                     | 565   | 702   | 1440 | 720  | 960  | 1611   | 822   | 1131  | 2040 | 1080 | 1560 | 2468   | 1337   | 1988   |
| <b>DAPS-1920</b>  |                          |       |       |      |      |      |        |       |       |      |      |      |        |        |        |
| 1   | -                        |       |       | -    |      |      | -      |       |       | -    |      |      | -      |        |        |
| 2   | 2057                     | 1114  | 1657  | 2400 | 1320 | 2000 | -      |       |       | -    |      |      | -      |        |        |
| 3   | 1897                     | 994   | 1417  | 2240 | 1200 | 1760 | 2468   | 1337  | 1988  | 3040 | 1680 | 2560 | 3611   | 2022   | 3131   |
| 4   | 1577                     | 754   | 937   | 1920 | 960  | 1280 | 2148   | 1097  | 1508  | 2720 | 1440 | 2080 | 3291   | 1782   | 2651   |
| <b>DAPS-2880</b>  |                          |       |       |      |      |      |        |       |       |      |      |      |        |        |        |
| 1   | -                        |       |       | -    |      |      | -      |       |       | -    |      |      | -      |        |        |
| 2   | 3085                     | 1671  | 2485  | 3600 | 1980 | 3000 | -      |       |       | -    |      |      | -      |        |        |
| 3   | 2845                     | 1491  | 2125  | 3360 | 1800 | 2640 | 3702   | 2006  | 2982  | 4560 | 2520 | 3840 | 5417   | 3034   | 4697   |
| 4   | 2365                     | 1131  | 1405  | 2880 | 1440 | 1920 | 3222   | 1645  | 2262  | 4080 | 2160 | 3120 | 4937   | 2674   | 3977   |
| <b>DAPS-4000</b>  |                          |       |       |      |      |      |        |       |       |      |      |      |        |        |        |
| 1   | -                        |       |       | -    |      |      | -      |       |       | -    |      |      | -      |        |        |
| 2   | 4285                     | 2321  | 3451  | 5000 | 2750 | 4166 | -      |       |       | -    |      |      | -      |        |        |
| 3   | 3952                     | 2071  | 2951  | 4666 | 2500 | 3665 | 5143   | 2786  | 4141  | 6333 | 3500 | 5332 | 7523   | 4214   | 6522   |
| 4   | 3286                     | 1571  | 1952  | 4000 | 2000 | 2666 | 4476   | 2286  | 3142  | 5666 | 3000 | 4332 | 6857   | 3714   | 5523   |

Torque for size at 5.6 bar  
and swivel angle 0°

**Note**

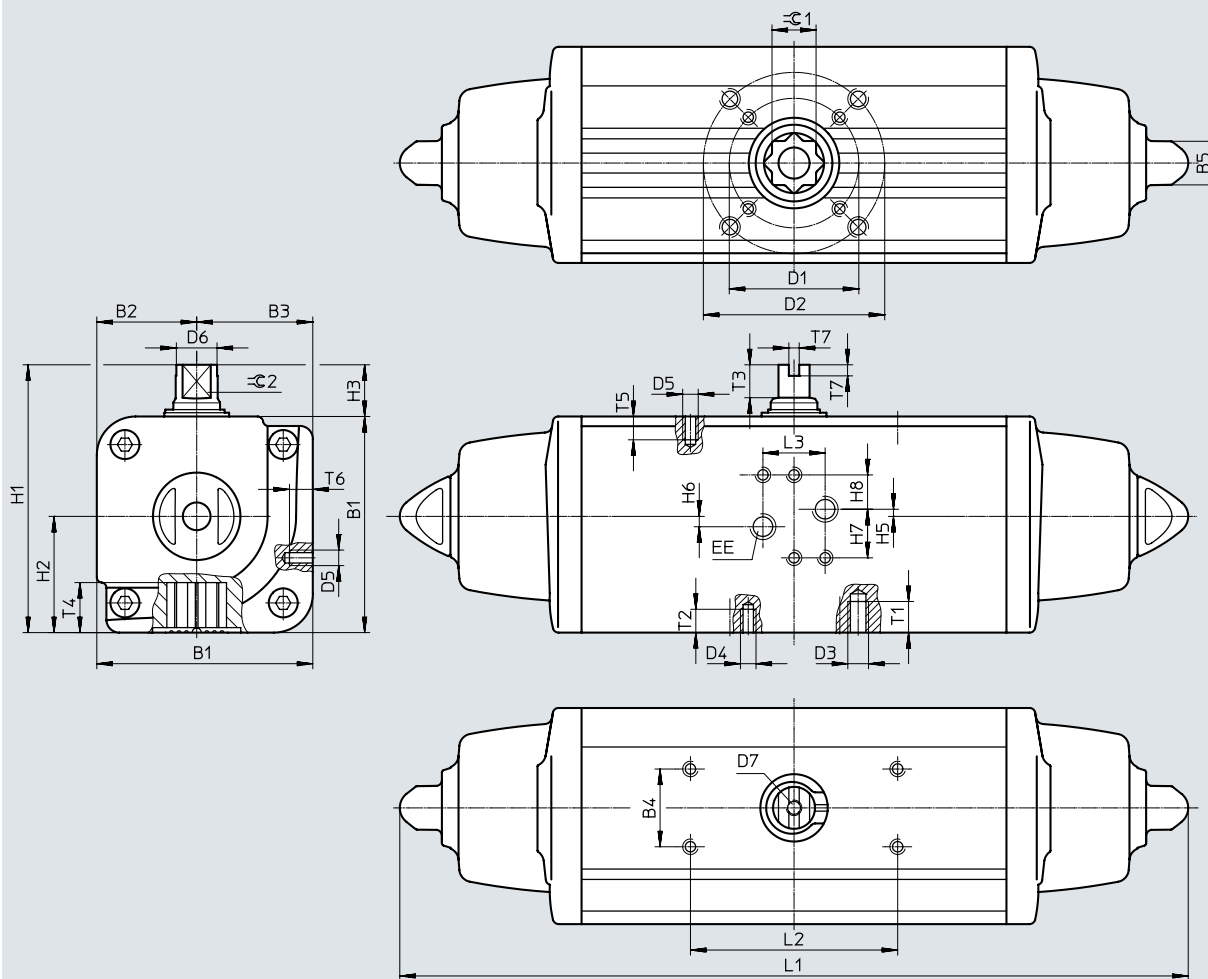
The operating torque of the actuator must not be greater than the maximum permissible torque listed in ISO 5211 in relation to the size of the mounting flange and of the coupling.

Data sheet

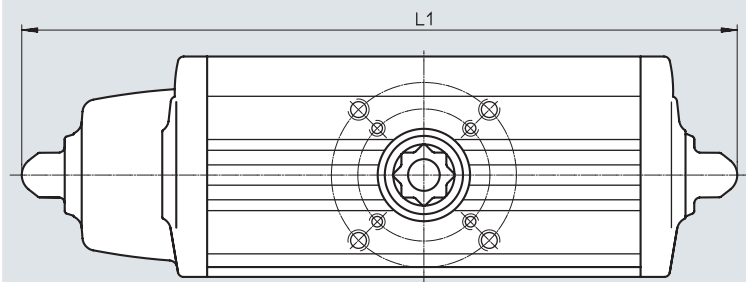
Dimensions

Download CAD data → [www.festo.com](http://www.festo.com)

DAPS-0015-090-...T4



RS1



## Data sheet

| Size                | B1    | B2   | B3   | B4 | B5 | D1<br>∅<br>±0.1 | D2<br>∅<br>±0.1 | D3  | D4 | D5 | D6<br>∅ | D7 | EE   | H1   | H2   | H3 | H5  |
|---------------------|-------|------|------|----|----|-----------------|-----------------|-----|----|----|---------|----|------|------|------|----|-----|
| DAPS-0015-...-F0305 | 59.2  | 27.7 | 31.5 | 30 | 13 | 36              | 50              | M6  | M5 | M5 | 10.9    | M6 | G1/8 | 79.2 | 31.5 | 20 | 0.8 |
| DAPS-0015-...-F04   |       |      |      |    |    | 42              | -               | -   |    |    |         |    |      |      |      |    |     |
| DAPS-0030-...-F04   | 70.4  | 32.7 | 37.7 |    | 13 | 42              | -               | -   | M5 |    | 14.5    |    |      |      |      |    |     |
| DAPS-0030-...-F0507 |       |      |      |    |    | 50              | 70              | M8  | M6 |    |         |    |      |      |      |    |     |
| DAPS-0053-...-F0507 | 83.3  | 38.5 | 44.8 |    | 17 | 50              | 70              | M8  | M6 |    | 16.2    |    |      |      |      |    |     |
| DAPS-0090-...-F0710 | 107.5 | 51   | 56.5 |    | 22 | 70              | 102             | M10 | M8 |    | 20.2    |    |      |      |      |    |     |
| DAPS-0120-...-F0710 | 111.1 | 51   | 60.1 |    | 22 | 70              | 102             | M10 | M8 |    | 22.5    |    |      |      |      |    |     |
| DAPS-0180-...-F0710 | 118   | 56   | 62   |    | 22 | 70              | 102             | M10 | M8 |    | 25.5    |    |      |      |      |    |     |

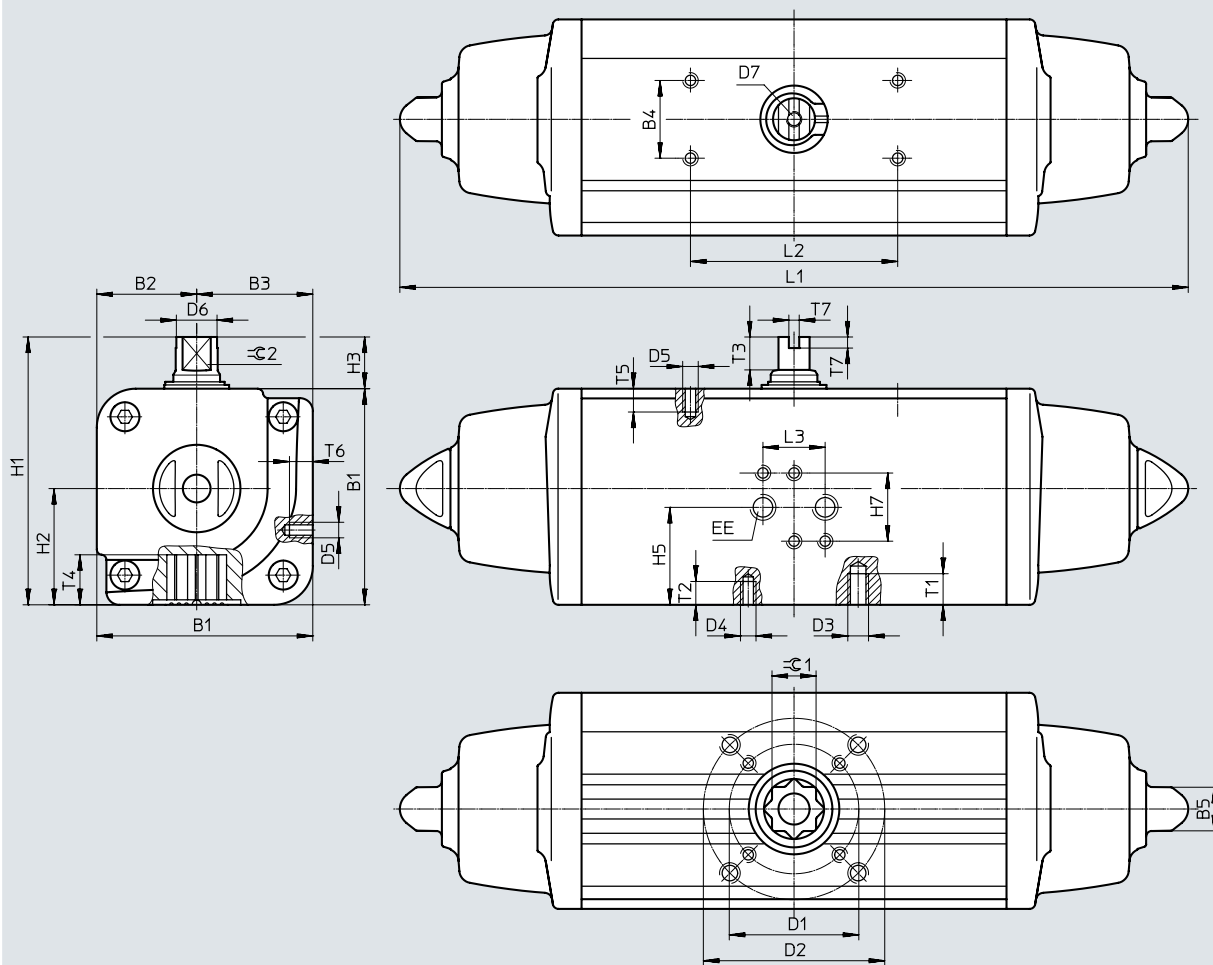
| Size                | H6  | H7 | H8 | L1    |        | L2 | L3 | T1 | T2 | T3 | T4   | T5 | T6 | T7 | =⊕ 1 | =⊕ 2 |
|---------------------|-----|----|----|-------|--------|----|----|----|----|----|------|----|----|----|------|------|
|                     |     |    |    | RS1   | RS ... |    |    |    |    |    |      |    |    |    |      |      |
| DAPS-0015-...-F0305 | 3.2 | 18 | 14 | 203.8 | 233.3  | 80 | 24 | 9  | 8  | 10 | 13.2 | 6  | 7  | 4  | 11   | 9    |
| DAPS-0015-...-F04   |     |    |    |       |        |    |    | -  |    |    |      |    |    |    |      |      |
| DAPS-0030-...-F04   | 4   |    |    | 228.5 | 259    |    |    | 12 | 9  | 13 | 16.5 |    |    |    | 14   | 10   |
| DAPS-0030-...-F0507 |     |    |    | 270.7 | 304.3  |    |    | 12 | 9  | 13 | 19.3 |    |    |    | 17   | 12   |
| DAPS-0053-...-F0507 | 4   |    |    | 341.8 | 393.7  |    |    | 15 | 12 | 16 | 24.8 |    |    |    | 22   | 15   |
| DAPS-0090-...-F0710 | 4   |    |    | 361.6 | 409.6  |    |    | 15 | 12 | 17 | 24.8 |    |    |    | 22   | 15   |
| DAPS-0120-...-F0710 | 4   |    |    | 406.6 | 474    |    |    | 15 | 12 | 19 | 24.3 |    |    |    | 22   | 19   |
| DAPS-0180-...-F0710 | 4   |    |    |       |        |    |    |    |    |    |      |    |    |    |      |      |

Data sheet

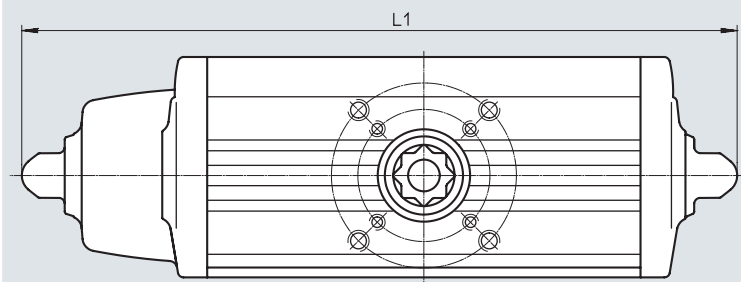
Dimensions

Download CAD data → [www.festo.com](http://www.festo.com)

Size 0015 ... 0960



RS1





Data sheet

| Size                | B1    | B2   | B3   | B4 | B5 | D1<br>∅<br>±0.1 | D2<br>∅<br>±0.1 | D3  | D4 | D5 | D6<br>∅ | D7 | EE   | H1    | H2   | H3 |
|---------------------|-------|------|------|----|----|-----------------|-----------------|-----|----|----|---------|----|------|-------|------|----|
| DAPS-0015-...-F0305 | 59.2  | 27.7 | 31.5 | 30 | 13 | 36              | 50              | M6  | M5 | M5 | 10.9    | M6 | G1/8 | 79.2  | 31.5 | 20 |
| DAPS-0015-...-F04   |       |      |      |    |    | 42              | -               | -   |    |    |         |    |      |       |      |    |
| DAPS-0030-...-F04   | 70.4  | 32.7 | 37.7 |    | 13 | 42              | -               | -   | M5 |    |         |    |      |       |      |    |
| DAPS-0030-...-F0507 |       |      |      |    |    | 50              | 70              | M8  | M6 |    | 14.5    |    |      | 90.4  | 37.7 | 20 |
| DAPS-0053-...-F0507 | 83.3  | 38.5 | 44.8 |    | 17 | 50              | 70              | M8  | M6 |    | 16.2    |    |      | 103.3 | 44.8 | 20 |
| DAPS-0090-...-F0710 | 107.5 | 51   | 56.5 |    | 22 | 70              | 102             | M10 | M8 |    | 20.2    |    |      | 137.5 | 56.5 | 30 |
| DAPS-0120-...-F0710 | 111.1 | 51   | 60.1 |    | 22 | 70              | 102             | M10 | M8 |    | 22.5    |    |      | 141.1 | 60.1 | 30 |
| DAPS-0180-...-F0710 | 118   | 56   | 62   |    | 22 | 70              | 102             | M10 | M8 |    | 25.5    |    |      | 148   | 62   | 30 |

| Size                | H5   | H7 | L1    |       | L2 | L3 | T1 | T2 | T3 | T4   | T5 | T6 | T7 | ≈G1 | ≈G2 |
|---------------------|------|----|-------|-------|----|----|----|----|----|------|----|----|----|-----|-----|
|                     |      |    | RS1   | RS... |    |    |    |    |    |      |    |    |    |     |     |
| DAPS-0015-...-F0305 | 32.3 | 32 | 203.8 | 233.3 | 80 | 24 | 9  | 8  | 10 | 13.2 | 6  | 7  | 4  | 11  | 9   |
| DAPS-0015-...-F04   |      |    |       |       |    |    | -  |    |    |      |    |    |    |     |     |
| DAPS-0030-...-F04   | 37.7 |    | 228.5 | 259   |    |    | 12 | 9  | 13 | 16.5 |    |    |    | 14  | 10  |
| DAPS-0030-...-F0507 |      |    |       |       |    |    |    |    |    |      |    |    |    |     |     |
| DAPS-0053-...-F0507 | 44.8 |    | 270.7 | 304.3 |    |    | 12 | 9  | 13 | 19.3 |    |    |    | 17  | 12  |
| DAPS-0090-...-F0710 | 56.5 |    | 341.8 | 393.7 |    |    | 15 | 12 | 16 | 24.8 |    |    |    | 22  | 15  |
| DAPS-0120-...-F0710 | 60.1 |    | 361.6 | 409.6 |    |    | 15 | 12 | 17 | 24.8 |    |    |    | 22  | 15  |
| DAPS-0180-...-F0710 | 62   |    | 406.6 | 474   |    |    | 15 | 12 | 19 | 24.3 |    |    |    | 22  | 19  |

| Size                | B1    | B2   | B3    | B4 | B5 | D1<br>∅ | D2<br>∅ | D3  | D4  | D5 | D6<br>∅ | D7 | EE   | H1    | H2    | H3 |
|---------------------|-------|------|-------|----|----|---------|---------|-----|-----|----|---------|----|------|-------|-------|----|
| DAPS-0240-...-F1012 | 134.9 | 62   | 72.9  | 30 | 27 | 102     | 125     | M12 | M10 | M5 | 29      | M6 | G1/4 | 164.9 | 72.9  | 30 |
| DAPS-0360-...-F1012 | 148   | 69.5 | 78.5  |    | 27 | 102     | 125     | M12 | M10 |    | 31.8    |    |      | 178   | 78.5  |    |
| DAPS-0480-...-F1012 | 168   | 74.5 | 93.5  |    | 27 | 102     | 125     | M12 | M10 |    | 36.5    |    |      | 198   | 93.5  |    |
| DAPS-0480-...-F14   |       |      |       |    |    | 140     | -       | -   | M16 |    |         |    |      |       |       |    |
| DAPS-0720-...-F12   | 186   | 84.5 | 101.5 |    | 36 | 125     | -       | -   | M12 |    | 41      |    |      | 216   | 101.5 |    |
| DAPS-0720-...-F14   |       |      |       |    |    | 140     | -       | -   | M16 |    |         |    |      |       |       |    |
| DAPS-0960-...-F14   | 207.7 | 93   | 114.7 |    | 36 | 140     | -       | -   | M16 |    | 46      |    |      | 237.7 | 114.7 |    |
| DAPS-0960-...-F1216 |       |      |       |    |    | 125     | 165     | M20 | M12 |    |         |    |      |       |       |    |

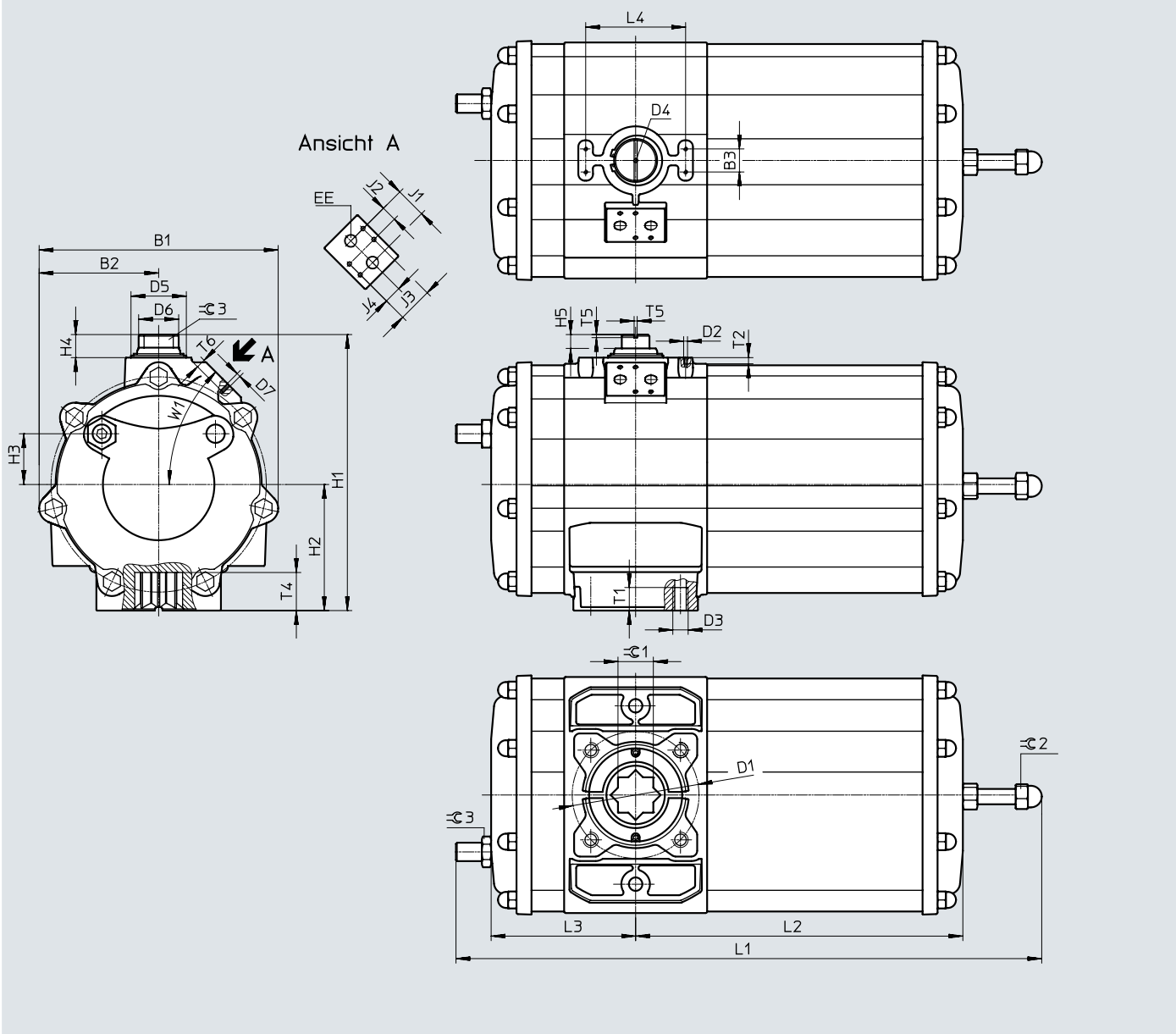
| Size                | H5   | H7 | L1    |       | L2 | L3 | T1 | T2 | T3   | T4   | T5 | T6 | T7 | ≈G1 | ≈G2 |
|---------------------|------|----|-------|-------|----|----|----|----|------|------|----|----|----|-----|-----|
|                     |      |    | RS1   | RS... |    |    |    |    |      |      |    |    |    |     |     |
| DAPS-0240-...-F1012 | 57.4 | 32 | 454   | 520.5 | 80 | 24 | 18 | 15 | 19   | 29.5 | 6  | 7  | 4  | 27  | 19  |
| DAPS-0360-...-F1012 | 61.5 |    | 523   | 613   |    |    | 18 | 15 | 19.5 | 29.5 |    |    |    | 27  | 22  |
| DAPS-0480-...-F1012 | 78   |    | 563.8 | 648.2 |    |    | 18 | 15 | 19.5 | 38.5 |    |    |    | 36  | 24  |
| DAPS-0480-...-F14   |      |    |       |       |    |    | -  | 24 |      |      |    |    |    |     |     |
| DAPS-0720-...-F12   | 86.5 |    | 683   | 798   |    |    | -  | 18 | 19.5 | 38.5 |    |    |    | 36  | 27  |
| DAPS-0720-...-F14   |      |    |       |       |    |    | -  | 24 |      |      |    |    |    |     |     |
| DAPS-0960-...-F14   | 99.2 |    | 714.4 | 828   |    |    | -  | 24 | 18.5 | 48.5 |    |    |    | 46  | 32  |
| DAPS-0960-...-F1216 |      |    |       |       |    |    | 30 | 18 |      |      |    |    |    |     |     |

Data sheet

Dimensions

Download CAD data → [www.festo.com](http://www.festo.com)

Size 1440



| Size          | B1  | B2  | B3 | D1<br>∅ | D2 | D3  | D4 | D5<br>∅ | D6<br>∅ | D7 | EE   | H1  | H2  | H3 | H4 | H5 | J1 |
|---------------|-----|-----|----|---------|----|-----|----|---------|---------|----|------|-----|-----|----|----|----|----|
| DAPS-1440-... | 311 | 155 | 30 | 165     | M5 | M20 | M6 | 72      | 52      | M6 | G3/8 | 359 | 164 | 66 | 30 | 18 | 40 |

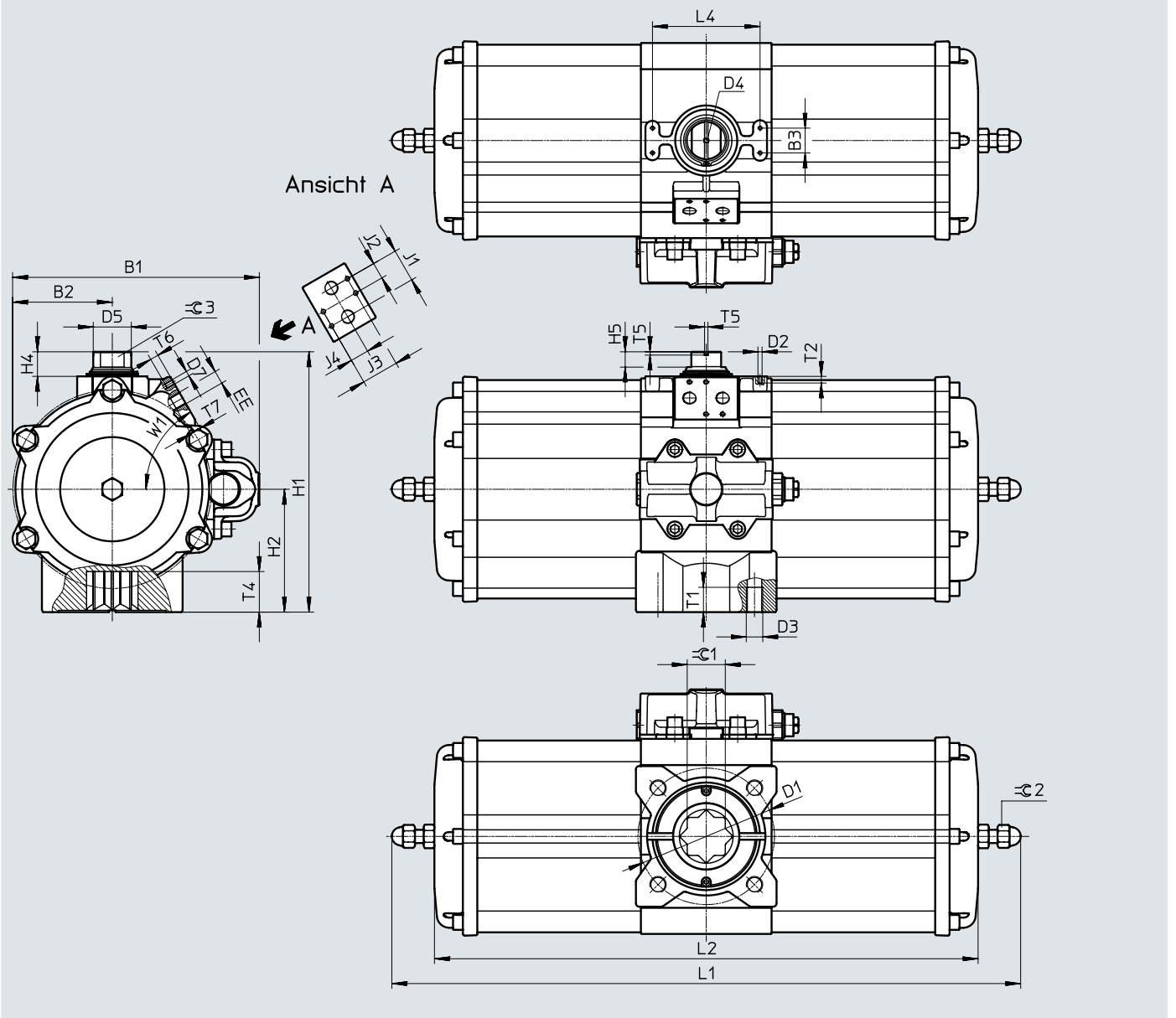
| Size          | J2 | J3 | J4   | L1<br>±3 | L2  | L3  | L4  | T1 | T2 | T4<br>±0.8 | T5 | T6 | W1  | ∅ 1 | ∅ 2 | ∅ 3 |
|---------------|----|----|------|----------|-----|-----|-----|----|----|------------|----|----|-----|-----|-----|-----|
| DAPS-1440-... | 20 | 45 | 22.5 | 834      | 498 | 188 | 130 | 30 | 8  | 49.5       | 4  | 10 | 45° | 46  | 30  | 36  |

Data sheet

Dimensions

Download CAD data → [www.festo.com](http://www.festo.com)

Size 1920



| Size          | B1  | B2  | B3 | D1<br>∅ | D2 | D3  | D4 | D5<br>∅ | D7 | EE   | H1  | H2    | H4 | H5   | J1 | J2 |
|---------------|-----|-----|----|---------|----|-----|----|---------|----|------|-----|-------|----|------|----|----|
| DAPS-1920-... | 298 | 120 | 30 | 165     | M5 | M20 | M6 | 46      | M6 | G3/8 | 314 | 148.5 | 30 | 18.5 | 40 | 20 |

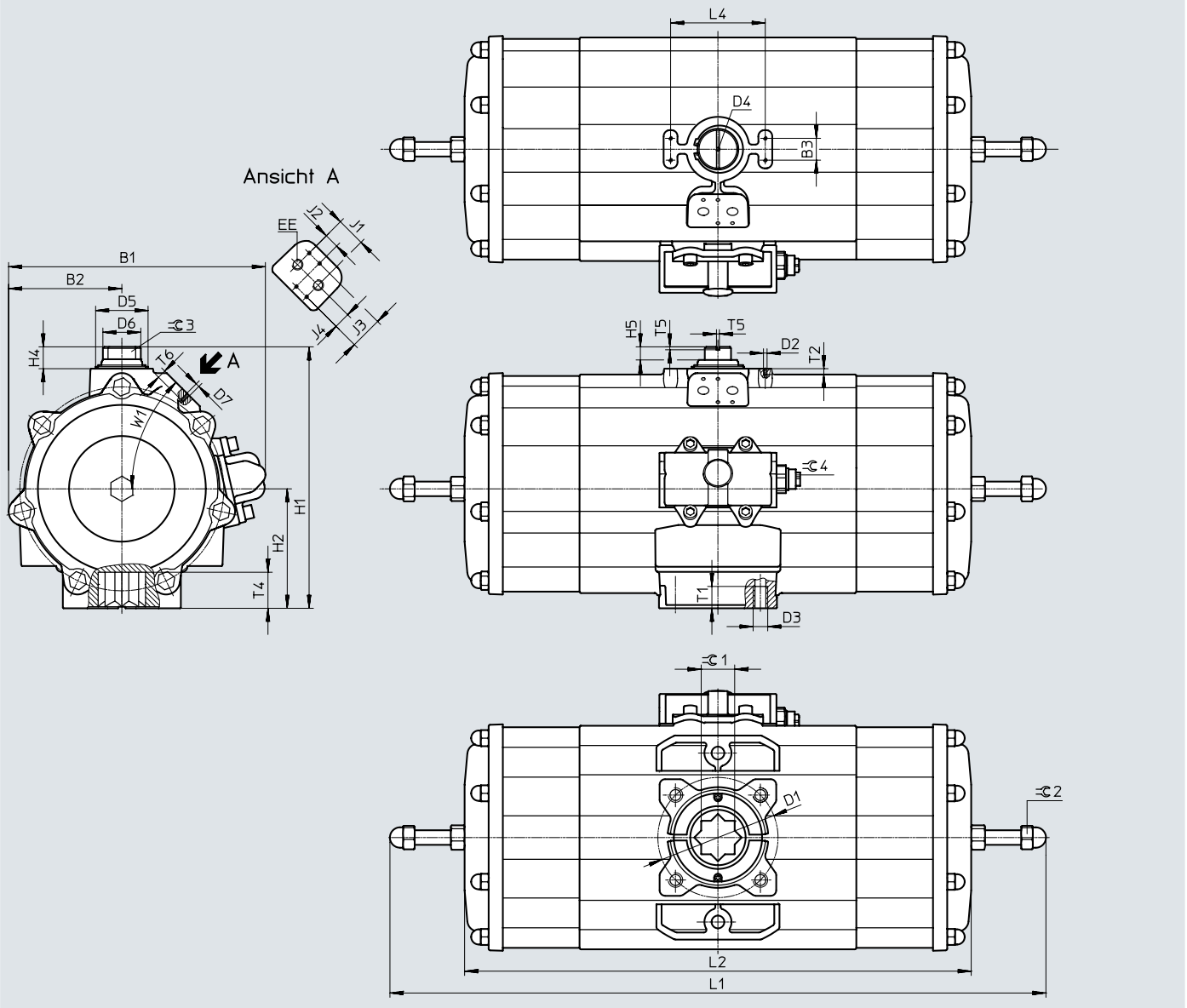
| Size          | J3 | J4   | L1<br>±3 | L2  | L4  | T1 | T2 | T4<br>±1 | T5 | T6 | T7 | W1  | ≈C1 | ≈C2 | ≈C3 |
|---------------|----|------|----------|-----|-----|----|----|----------|----|----|----|-----|-----|-----|-----|
| DAPS-1920-... | 45 | 22.5 | 1001     | 857 | 130 | 30 | 8  | 49       | 4  | 10 | 13 | 60° | 46  | 24  | 32  |

Data sheet

Dimensions

Download CAD data → [www.festo.com](http://www.festo.com)

Size 2880



| Size          | B1  | B2  | B3 | D1<br>∅ | D2 | D3  | D4 | D5<br>∅ | D6<br>∅ | D7 | EE   | H1  | H2  | H4 | H5 | J1 |
|---------------|-----|-----|----|---------|----|-----|----|---------|---------|----|------|-----|-----|----|----|----|
| DAPS-2880-... | 361 | 155 | 30 | 165     | M5 | M20 | M6 | 72      | 52      | M6 | G3/8 | 359 | 164 | 30 | 18 | 40 |

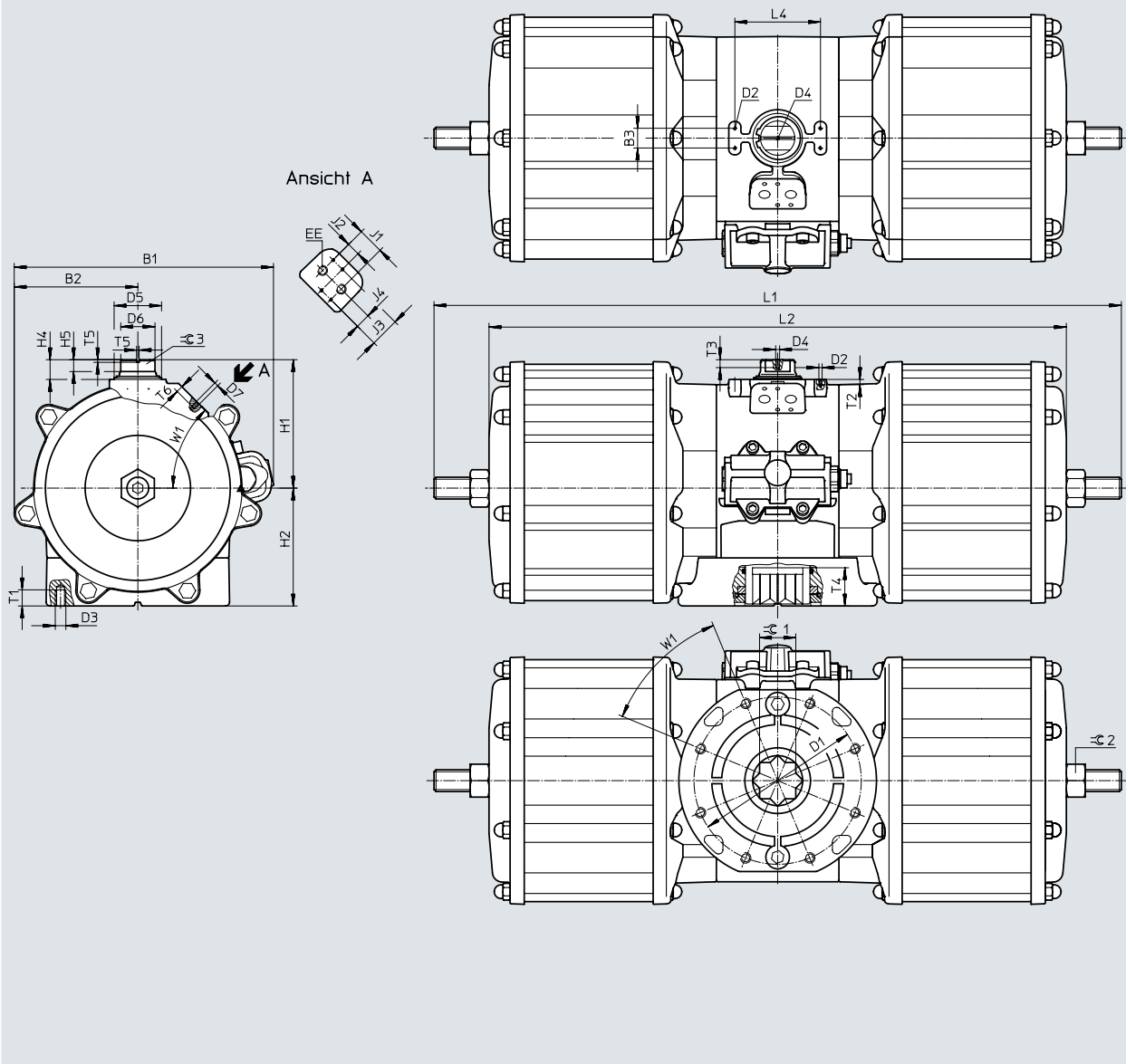
| Size          | J2 | J3 | J4   | L1<br>±3 | L2  | L4  | T1 | T2 | T4   | T5 | T6 | W1  | ∅ 1 | ∅ 2 | ∅ 3 | ∅ 4 |
|---------------|----|----|------|----------|-----|-----|----|----|------|----|----|-----|-----|-----|-----|-----|
| DAPS-2880-... | 20 | 45 | 22.5 | 1201     | 996 | 130 | 30 | 8  | 49.5 | 4  | 10 | 45° | 46  | 30  | 36  | 15  |

Data sheet

Dimensions

Download CAD data → [www.festo.com](http://www.festo.com)

Size 4000



| Size          | B1  | B2  | B3 | D1<br>∅ | D2 | D3  | D4 | D5<br>∅ | D6<br>∅ | D7 | EE   | H1  | H2  | H4 | H5 | J1 |
|---------------|-----|-----|----|---------|----|-----|----|---------|---------|----|------|-----|-----|----|----|----|
| DAPS-4000-... | 394 | 188 | 30 | 254     | M5 | M16 | M6 | 72      | 52      | M6 | G3/8 | 195 | 179 | 30 | 18 | 40 |

| Size          | J2 | J3 | J4   | L1   | L2   | L4  | T1 | T2 | T3 | T4 | T5 | T6 | W1  | ⌀ 1 | ⌀ 2 | ⌀ 3 |
|---------------|----|----|------|------|------|-----|----|----|----|----|----|----|-----|-----|-----|-----|
| DAPS-4000-... | 20 | 45 | 22.5 | 1370 | 1184 | 130 | 24 | 8  | 12 | 58 | 4  | 10 | 45° | 55  | 50  | 36  |

Data sheet

| Ordering data    |                         |                  |                         |
|------------------|-------------------------|------------------|-------------------------|
| Part no.         | Type                    | Part no.         | Type                    |
| <b>Size 0015</b> |                         | <b>Size 0480</b> |                         |
| 533427           | DAPS-0015-090-RS1-F0305 | 533455           | DAPS-0480-090-RS1-F1012 |
| 533480           | DAPS-0015-090-RS1-F04   | 533488           | DAPS-0480-090-RS1-F14   |
| 533428           | DAPS-0015-090-RS2-F0305 | 533456           | DAPS-0480-090-RS2-F1012 |
| 533481           | DAPS-0015-090-RS2-F04   | 533489           | DAPS-0480-090-RS2-F14   |
| 533429           | DAPS-0015-090-RS3-F0305 | 533457           | DAPS-0480-090-RS3-F1012 |
| 533482           | DAPS-0015-090-RS3-F04   | 533490           | DAPS-0480-090-RS3-F14   |
| 533430           | DAPS-0015-090-RS4-F0305 | 533458           | DAPS-0480-090-RS4-F1012 |
| 533483           | DAPS-0015-090-RS4-F04   | 533491           | DAPS-0480-090-RS4-F14   |
| <b>Size 0030</b> |                         | <b>Size 0720</b> |                         |
| 533431           | DAPS-0030-090-RS1-F04   | 549677           | DAPS-0720-090-RS1-F12   |
| 533484           | DAPS-0030-090-RS1-F0507 | 549681           | DAPS-0720-090-RS1-F14   |
| 533432           | DAPS-0030-090-RS2-F04   | 549678           | DAPS-0720-090-RS2-F12   |
| 533485           | DAPS-0030-090-RS2-F0507 | 549682           | DAPS-0720-090-RS2-F14   |
| 533433           | DAPS-0030-090-RS3-F04   | 549679           | DAPS-0720-090-RS3-F12   |
| 533486           | DAPS-0030-090-RS3-F0507 | 549683           | DAPS-0720-090-RS3-F14   |
| 533434           | DAPS-0030-090-RS4-F04   | 549680           | DAPS-0720-090-RS4-F12   |
| 533487           | DAPS-0030-090-RS4-F0507 | 549684           | DAPS-0720-090-RS4-F14   |
| <b>Size 0053</b> |                         | <b>Size 0960</b> |                         |
| 533435           | DAPS-0053-090-RS1-F0507 | 533459           | DAPS-0960-090-RS1-F14   |
| 533436           | DAPS-0053-090-RS2-F0507 | 533492           | DAPS-0960-090-RS1-F1216 |
| 533437           | DAPS-0053-090-RS3-F0507 | 533460           | DAPS-0960-090-RS2-F14   |
| 533438           | DAPS-0053-090-RS4-F0507 | 533493           | DAPS-0960-090-RS2-F1216 |
| <b>Size 0090</b> |                         | <b>Size 1440</b> |                         |
| 533439           | DAPS-0090-090-RS1-F0710 | 549685           | DAPS-1440-090-RS1-F16   |
| 533440           | DAPS-0090-090-RS2-F0710 | 549686           | DAPS-1440-090-RS2-F16   |
| 533441           | DAPS-0090-090-RS3-F0710 | 549687           | DAPS-1440-090-RS3-F16   |
| 533442           | DAPS-0090-090-RS4-F0710 | 549688           | DAPS-1440-090-RS4-F16   |
| <b>Size 0120</b> |                         | <b>Size 1920</b> |                         |
| 533443           | DAPS-0120-090-RS1-F0710 | 549689           | DAPS-1920-090-RS1-F16   |
| 533444           | DAPS-0120-090-RS2-F0710 | 549690           | DAPS-1920-090-RS2-F16   |
| 533445           | DAPS-0120-090-RS3-F0710 | 549691           | DAPS-1920-090-RS3-F16   |
| 533446           | DAPS-0120-090-RS4-F0710 | 549692           | DAPS-1920-090-RS4-F16   |
| <b>Size 0180</b> |                         | <b>Size 2880</b> |                         |
| 533447           | DAPS-0180-090-RS1-F0710 | 549693           | DAPS-2880-090-RS1-F16   |
| 533448           | DAPS-0180-090-RS2-F0710 | 549694           | DAPS-2880-090-RS2-F16   |
| 533449           | DAPS-0180-090-RS3-F0710 | 549695           | DAPS-2880-090-RS3-F16   |
| 533450           | DAPS-0180-090-RS4-F0710 | 549696           | DAPS-2880-090-RS4-F16   |
| <b>Size 0240</b> |                         | <b>Size 4000</b> |                         |
| 533451           | DAPS-0240-090-RS1-F1012 | 560856           | DAPS-4000-090-RS1-F25   |
| 533452           | DAPS-0240-090-RS2-F1012 | 561694           | DAPS-4000-090-RS2-F25   |
| 533453           | DAPS-0240-090-RS3-F1012 | 561695           | DAPS-4000-090-RS3-F25   |
| 533454           | DAPS-0240-090-RS4-F1012 | 561696           | DAPS-4000-090-RS4-F25   |
| <b>Size 0360</b> |                         |                  |                         |
| 549673           | DAPS-0360-090-RS1-F1012 |                  |                         |
| 549674           | DAPS-0360-090-RS2-F1012 |                  |                         |
| 549675           | DAPS-0360-090-RS3-F1012 |                  |                         |
| 549676           | DAPS-0360-090-RS4-F1012 |                  |                         |

## Data sheet

| Ordering data – Sets of wearing parts |                 |                  |                 |
|---------------------------------------|-----------------|------------------|-----------------|
| Part no.                              | Type            | Part no.         | Type            |
| <b>Size 0015</b>                      |                 | <b>Size 0180</b> |                 |
| 397471                                | DAPS-0030/S0015 | 397476           | DAPS-0360/S0180 |
|                                       |                 |                  |                 |
| <b>Size 0030</b>                      |                 | <b>Size 0240</b> |                 |
| 397472                                | DAPS-0060/S0030 | 397477           | DAPS-0480/S0240 |
|                                       |                 |                  |                 |
| <b>Size 0053</b>                      |                 | <b>Size 0480</b> |                 |
| 397473                                | DAPS-0106/S0053 | 397478           | DAPS-0960/S0480 |
|                                       |                 |                  |                 |
| <b>Size 0090</b>                      |                 | <b>Size 0960</b> |                 |
| 397474                                | DAPS-0180/S0090 | 397479           | DAPS-1920/S0960 |
|                                       |                 |                  |                 |
| <b>Size 0120</b>                      |                 |                  |                 |
| 397475                                | DAPS-0240/S0120 |                  |                 |

| Ordering data – Actuators for variant T4 |                            |                  |                            |
|--|----------------------------|------------------|----------------------------|
| Part no.                                 | Type                       | Part no.         | Type                       |
| <b>Size 0015</b>                         |                            | <b>Size 0180</b> |                            |
| 8030613                                  | DAPS-0015-090-RS4-F0305-T4 | 8030620          | DAPS-0180-090-RS4-F0710-T4 |
| 8030614                                  | DAPS-0015-090-RS4-F04-T4   |                  |                            |
|  |                            |                  |                            |
| <b>Size 0030</b>                         |                            | <b>Size 0240</b> |                            |
| 8030615                                  | DAPS-0030-090-RS4-F04-T4   | 8030621          | DAPS-0240-090-RS4-F1012-T4 |
| 8030616                                  | DAPS-0030-090-RS4-F0507-T4 |                  |                            |
|  |                            |                  |                            |
| <b>Size 0053</b>                         |                            | <b>Size 0360</b> |                            |
| 8030617                                  | DAPS-0053-090-RS4-F0507-T4 | 8030622          | DAPS-0360-090-RS4-F1012-T4 |
|  |                            |                  |                            |
| <b>Size 0090</b>                         |                            | <b>Size 0480</b> |                            |
| 8030618                                  | DAPS-0090-090-RS4-F0710-T4 | 8030623          | DAPS-0480-090-RS4-F1012-T4 |
|  |                            | 8030624          | DAPS-0480-090-RS4-F14-T4   |
|  |                            |                  |                            |
| <b>Size 0120</b>                         |                            |                  |                            |
| 8030619                                  | DAPS-0120-090-RS4-F0710-T4 |                  |                            |

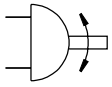
Data sheet


| Ordering data – Actuators for variant T6 |                            |                  |                            |
|--|----------------------------|------------------|----------------------------|
| Part no.                                 | Type                       | Part no.         | Type                       |
| <b>Size 0015</b>                         |                            | <b>Size 0480</b> |                            |
| 553191                                   | DAPS-0015-090-RS2-F0305-T6 | 553201           | DAPS-0480-090-RS2-F1012-T6 |
| 553192                                   | DAPS-0015-090-RS2-F04-T6   | 553202           | DAPS-0480-090-RS2-F14-T6   |
| 553210                                   | DAPS-0015-090-RS3-F0305-T6 | 553220           | DAPS-0480-090-RS3-F1012-T6 |
| 553211                                   | DAPS-0015-090-RS3-F04-T6   | 553221           | DAPS-0480-090-RS3-F14-T6   |
| 553229                                   | DAPS-0015-090-RS4-F0305-T6 | 553239           | DAPS-0480-090-RS4-F1012-T6 |
| 553230                                   | DAPS-0015-090-RS4-F04-T6   | 553240           | DAPS-0480-090-RS4-F14-T6   |
| <b>Size 0030</b>                         |                            | <b>Size 0720</b> |                            |
| 553193                                   | DAPS-0030-090-RS2-F04-T6   | 553203           | DAPS-0720-090-RS2-F12-T6   |
| 553194                                   | DAPS-0030-090-RS2-F0507-T6 | 553204           | DAPS-0720-090-RS2-F14-T6   |
| 553212                                   | DAPS-0030-090-RS3-F04-T6   | 553222           | DAPS-0720-090-RS3-F12-T6   |
| 553213                                   | DAPS-0030-090-RS3-F0507-T6 | 553223           | DAPS-0720-090-RS3-F14-T6   |
| 553231                                   | DAPS-0030-090-RS4-F04-T6   | 553241           | DAPS-0720-090-RS4-F12-T6   |
| 553232                                   | DAPS-0030-090-RS4-F0507-T6 | 553242           | DAPS-0720-090-RS4-F14-T6   |
| <b>Size 0053</b>                         |                            | <b>Size 0960</b> |                            |
| 553195                                   | DAPS-0053-090-RS2-F0507-T6 | 553205           | DAPS-0960-090-RS2-F14-T6   |
| 553214                                   | DAPS-0053-090-RS3-F0507-T6 | 553206           | DAPS-0960-090-RS2-F1216-T6 |
| 553233                                   | DAPS-0053-090-RS4-F0507-T6 | 553224           | DAPS-0960-090-RS3-F14-T6   |
| <b>Size 0090</b>                         |                            | 553225           | DAPS-0960-090-RS3-F1216-T6 |
| 553196                                   | DAPS-0090-090-RS2-F0710-T6 | 553243           | DAPS-0960-090-RS4-F14-T6   |
| 553215                                   | DAPS-0090-090-RS3-F0710-T6 | 553244           | DAPS-0960-090-RS4-F1216-T6 |
| 553234                                   | DAPS-0090-090-RS4-F0710-T6 | <b>Size 1440</b> |                            |
| <b>Size 0120</b>                         |                            | 553207           | DAPS-1440-090-RS2-F16-T6   |
| 553197                                   | DAPS-0120-090-RS2-F0710-T6 | 553245           | DAPS-1440-090-RS4-F16-T6   |
| 553216                                   | DAPS-0120-090-RS3-F0710-T6 | <b>Size 1920</b> |                            |
| 553235                                   | DAPS-0120-090-RS4-F0710-T6 | 553208           | DAPS-1920-090-RS2-F16-T6   |
| <b>Size 0180</b>                         |                            | 553227           | DAPS-1920-090-RS3-F16-T6   |
| 553198                                   | DAPS-0180-090-RS2-F0710-T6 | 553246           | DAPS-1920-090-RS4-F16-T6   |
| 553217                                   | DAPS-0180-090-RS3-F0710-T6 | <b>Size 2880</b> |                            |
| 553236                                   | DAPS-0180-090-RS4-F0710-T6 | 553209           | DAPS-2880-090-RS2-F16-T6   |
| <b>Size 0240</b>                         |                            | 553228           | DAPS-2880-090-RS3-F16-T6   |
| 553199                                   | DAPS-0240-090-RS2-F1012-T6 | 553247           | DAPS-2880-090-RS4-F16-T6   |
| 553218                                   | DAPS-0240-090-RS3-F1012-T6 |                  |                            |
| 553237                                   | DAPS-0240-090-RS4-F1012-T6 |                  |                            |
| <b>Size 0360</b>                         |                            |                  |                            |
| 553200                                   | DAPS-0360-090-RS2-F1012-T6 |                  |                            |
| 553219                                   | DAPS-0360-090-RS3-F1012-T6 |                  |                            |
| 553238                                   | DAPS-0360-090-RS4-F1012-T6 |                  |                            |

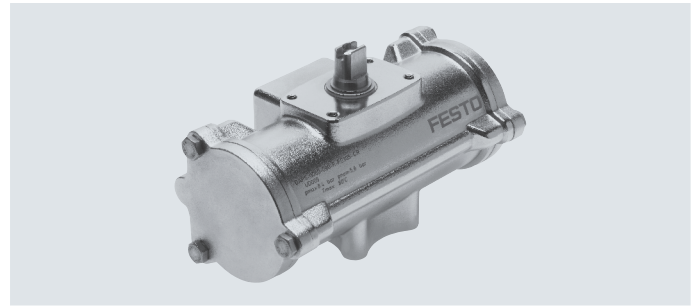



## Data sheet


## Function



-  - Swivel angle  
0 ... 90°



-  - Size  
0015 ... 0480

-  - Torque  
15 ... 480 Nm

## General technical data

| Size                 | 0015                | 0030 | 0060 | 0120 | 0240 | 0480 |
|----------------------|---------------------|------|------|------|------|------|
| Pneumatic connection | G1/8                |      |      |      |      |      |
| Design               | Scotch yoke system  |      |      |      |      |      |
| Mode of operation    | Double-acting       |      |      |      |      |      |
| Mounting position    | Any                 |      |      |      |      |      |
| Position sensing     | Without             |      |      |      |      |      |
| Cushioning           | No cushioning       |      |      |      |      |      |
| Swivel angle         | [°]                 | 90   |      |      |      |      |
| Closing direction    | Closes to the right |      |      |      |      |      |

## Operating and environmental conditions

| Size   | 0015   | 0030        | 0060                 | 0120 | 0240 | 0480 |
|--|--|-------------|----------------------|------|------|------|
| Operating pressure                           | [bar]  | 2.5 ... 8.4 |                      |      |      |      |
| Nominal operating pressure                   | [bar]  | 5.6         |                      |      |      |      |
| Operating medium                             | Compressed air to ISO 8573-1:2010 [7:4:4]  |             |                      |      |      |      |
| Note on operating/pilot medium               | Lubricated operation possible (in which case lubricated operation will always be required) |             |                      |      |      |      |
| Ambient temperature                          | [°C]   | -20 ... +80 |                      |      |      |      |
| Corrosion resistance class CRC <sup>1)</sup> | 3  |             |                      |      |      |      |
| Process valve connection to standard         | -  |             | ISO 5211             |      |      |      |
| Valve connection conforms to standard        | -  |             | VDI/VDE 3845 (NAMUR) |      |      |      |
| Safety integrity level (SIL)                 | Up to SIL 2 high demand mode   |             |                      |      |      |      |
|  | Up to SIL 2 low demand mode  |             |                      |      |      |      |

1) Corrosion resistance class CRC 3 to Festo standard FN 940070

High corrosion stress. Outdoor exposure under moderate corrosive conditions. Externally visible parts with primarily functional surface requirements which are in direct contact with a normal industrial environment.

## ATEX

|  |   |
|--|---|
| ATEX category for gas                      | II 2G                                       |
| Type of ignition protection for gas        | Ex h IIC T6 ... T3 Gb X                     |
| ATEX category for dust                     | II 2D                                       |
| Type of ignition protection for dust       | Ex h IIIC T85°C ... T200°C Db X             |
| Explosion-proof ambient temperature        | -20°C ≤ Ta ≤ +60°C                          |
| CE marking (see declaration of conformity) | To EU Explosion Protection Directive (ATEX) |

## Data sheet

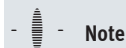
| Air consumption [l/cycle 0°-nominal swivel angle-0°] at 6 bar |      |           |       |
|---|------|-----------|-------|
| Size  |      | Size      |       |
| DAPS-0015   | 0.55 | DAPS-0120 | 4.06  |
| DAPS-0030   | 1.04 | DAPS-0240 | 8.26  |
| DAPS-0060   | 1.96 | DAPS-0480 | 16.66 |

| Weight [g] |      |           |      |
|------------|------|-----------|------|
| Size       |      | Size      |      |
| DAPS-0015  | 800  | DAPS-0120 | 3300 |
| DAPS-0030  | 1200 | DAPS-0240 | 5600 |
| DAPS-0060  | 1800 | DAPS-0480 | 9500 |

| Materials              |                            |                 |
|------------------------|----------------------------|-----------------|
| Quarter turn actuators |                            | Material number |
| Housing                | High-alloy stainless steel | 1.4408          |
| Cover                  | High-alloy stainless steel | 1.4408          |
| Shaft                  | High-alloy stainless steel | 1.4301          |
| External screws        | High-alloy stainless steel | -               |
| Seals                  | FPM, NBR, PUR              | -               |
| Note on materials      | RoHS-compliant             | -               |

| Actual torque [Nm] as a function of operating pressure [bar] and swivel angle [°] |                  |                          |       |       |       |      |       |       |       |
|---|------------------|--------------------------|-------|-------|-------|------|-------|-------|-------|
| Size  | Swivel angle [°] | Operating pressure [bar] |       |       |       |      |       |       |       |
|   |                  | 2.5                      | 3     | 4     | 5     | 5.6  | 6     | 7     | 8     |
| DAPS-0015   | 0                | 6.7                      | 8     | 10.7  | 13.4  | 15   | 16.1  | 18.8  | 21.4  |
|   | 50               | 3.3                      | 4     | 5.4   | 6.7   | 7.5  | 8     | 9.4   | 10.7  |
|   | 90               | 5                        | 6.1   | 8.1   | 10.1  | 11.3 | 12.1  | 14.1  | 16.1  |
| DAPS-0030   | 0                | 13.4                     | 16.1  | 21.4  | 26.8  | 30   | 32.1  | 37.5  | 42.9  |
|   | 50               | 6.7                      | 8     | 10.7  | 13.4  | 15   | 16.1  | 18.8  | 21.4  |
|   | 90               | 10                       | 12.1  | 16.1  | 20.1  | 22.5 | 24.1  | 28.1  | 32.1  |
| DAPS-0060   | 0                | 26.8                     | 32.1  | 42.9  | 53.6  | 60   | 64.3  | 75    | 85.7  |
|   | 50               | 13.4                     | 16.1  | 21.4  | 26.8  | 30   | 32.1  | 37.5  | 42.9  |
|   | 90               | 20.1                     | 24.1  | 32.1  | 40.2  | 45   | 48.2  | 56.3  | 64.3  |
| DAPS-0120   | 0                | 53.6                     | 64.3  | 85.7  | 107.1 | 120  | 128.6 | 150   | 171.4 |
|   | 50               | 26.8                     | 32.1  | 42.9  | 53.6  | 60   | 64.3  | 75    | 85.7  |
|   | 90               | 40.2                     | 48.2  | 64.3  | 80.4  | 90   | 96.4  | 112.5 | 128.6 |
| DAPS-0240   | 0                | 107.1                    | 128.6 | 171.4 | 214.3 | 240  | 257.1 | 300   | 342.9 |
|   | 50               | 53.6                     | 64.3  | 85.7  | 107.1 | 120  | 128.6 | 150   | 171.4 |
|   | 90               | 80.4                     | 96.4  | 128.6 | 160.7 | 180  | 192.9 | 225   | 257.1 |
| DAPS-0480   | 0                | 214.3                    | 257.1 | 342.9 | 428.6 | 480  | 514.3 | 600   | 685.7 |
|   | 50               | 107.1                    | 128.6 | 171.4 | 214.3 | 240  | 257.1 | 300   | 342.9 |
|   | 90               | 160.7                    | 192.9 | 257.1 | 321.4 | 360  | 385.7 | 450   | 514.3 |

Torque for size at 5.6 bar and swivel angle 0°



**Note**

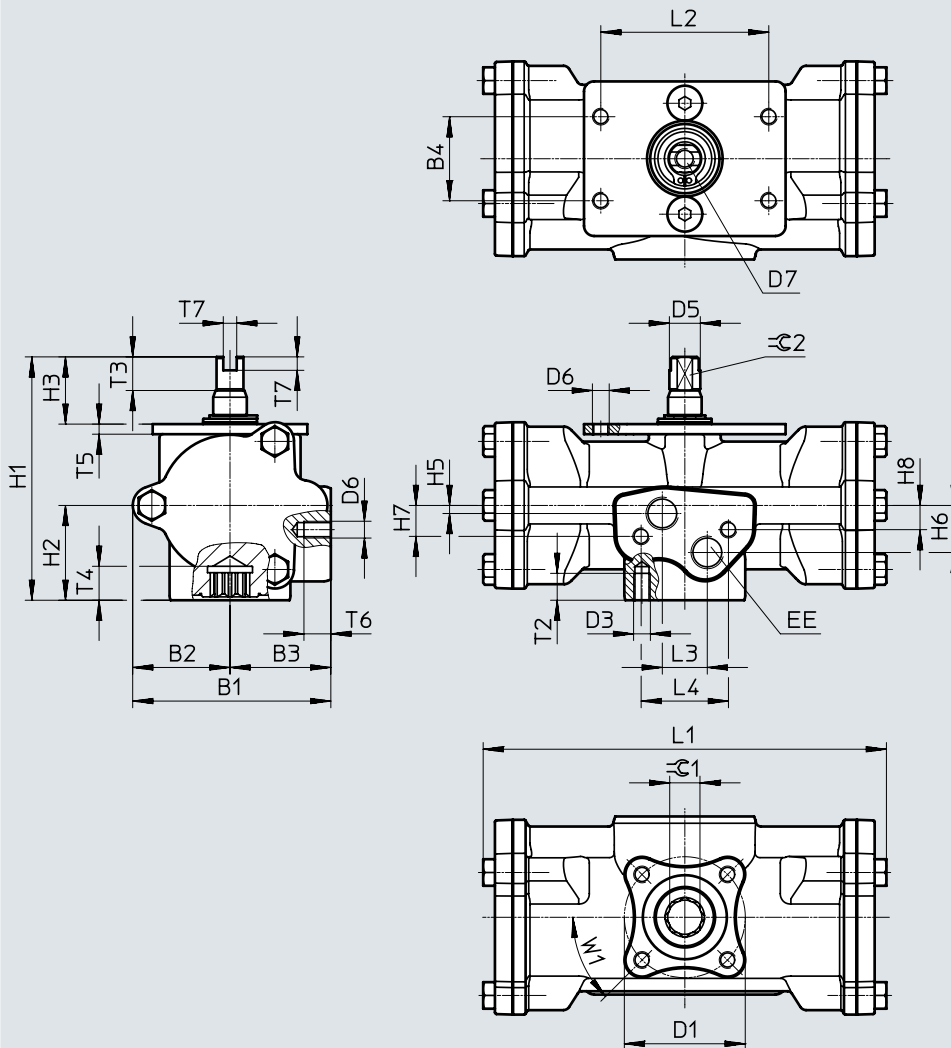
The operating torque of the actuator must not be greater than the maximum permissible torque listed in ISO 5211 in relation to the size of the mounting flange and of the coupling.

Data sheet

Dimensions

Download CAD data → [www.festo.com](http://www.festo.com)

DAPS-...-090-R-F03-CR



| Size                   | B1   | B2   | B3 | B4 | D1<br>∅ | D3 | D5<br>∅ | D6 | D7 | EE   | H1   | H2   | H3 | H5  | H6 |
|------------------------|------|------|----|----|---------|----|---------|----|----|------|------|------|----|-----|----|
| DAPS-0015-090-R-F03-CR | 59   | 29   | 30 | 25 | 36      | M5 | 9.2     | M5 | M6 | G1/8 | 72.4 | 28.2 | 20 | 2.4 | 14 |
| DAPS-0030-090-R-F03-CR | 68.1 | 34.1 | 34 | 25 | 36      | M5 | 10.9    | M5 | M6 | G1/8 | 80.4 | 32.7 | 20 | 3   | 16 |

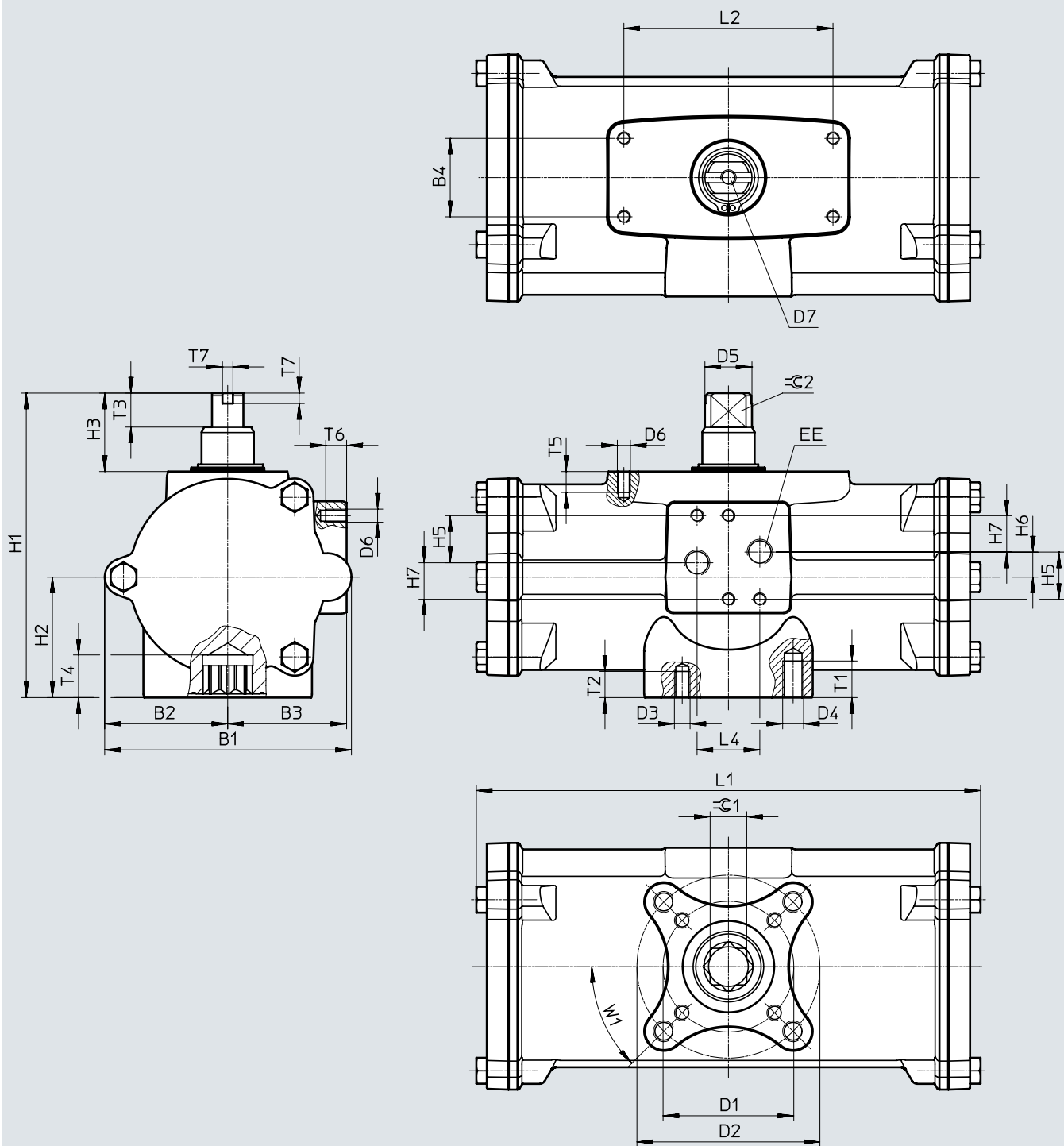
| Size                   | H7   | H8  | L1<br>±2 | L2 | L3   | L4 | T2 | T3 | T4<br>±0.4 | T5 | T6 | T7 | ⌀ 1<br>H11 | ⌀ 2<br>h11 | W1  |
|------------------------|------|-----|----------|----|------|----|----|----|------------|----|----|----|------------|------------|-----|
| DAPS-0015-090-R-F03-CR | 9.2  | 7.2 | 120      | 50 | 13.4 | 26 | 8  | 10 | 10.1       | 3  | 8  | 4  | 9          | 8          | 45° |
| DAPS-0030-090-R-F03-CR | 10.5 | 8.5 | 134.6    | 50 | 12   | 26 | 8  | 10 | 10.2       | 3  | 8  | 4  | 9          | 9          | 45° |

Data sheet

Dimensions

Download CAD data → [www.festo.com](http://www.festo.com)

DAPS-...-090-R-...-CR



## Data sheet

| Size                     | B1    | B2   | B3   | B4 | D1<br>∅<br>±0.1 | D2<br>∅<br>±0.1 | D3 | D4  | D5<br>∅ | D6 | D7 | EE   | H1    | H2   | H3 | H5 |
|--------------------------|-------|------|------|----|-----------------|-----------------|----|-----|---------|----|----|------|-------|------|----|----|
| DAPS-0060-...-R-F0305-CR | 80.3  | 41.1 | 39.2 | 25 | 36              | 50              | M5 | M6  | 14.5    | M5 | M6 | G1/8 | 92.4  | 37.6 | 20 | 18 |
| DAPS-0120-...-R-F0507-CR | 94.4  | 47   | 45.5 | 30 | 50              | 70              | M6 | M8  | 18      | M5 | M6 | G1/8 | 116.5 | 46.1 | 30 | 18 |
| DAPS-240-...-R-F0507-CR  | 117   | 60.2 | 54.5 | 30 | 50              | 70              | M6 | M8  | 22.5    | M5 | M6 | G1/8 | 136.4 | 56.1 | 30 | 18 |
| DAPS-480-...-R-F0710-CR  | 139.7 | 71   | 67   | 30 | 70              | 102             | M8 | M10 | 29      | M5 | M6 | G1/8 | 160   | 68   | 30 | 18 |

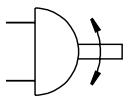
| Size                     | H6  | H7 | L1<br>±2 | L2 | L4 | T1 | T2 | T3 | T4<br>±0.4 | T5 | T6 | T7 | ≈ $\ominus$ 1<br>H11 | ≈ $\ominus$ 2<br>h11 | W1  |
|--------------------------|-----|----|----------|----|----|----|----|----|------------|----|----|----|----------------------|----------------------|-----|
| DAPS-0060-...-R-F0305-CR | 9.6 | 14 | 158.4    | 50 | 24 | 10 | 8  | 13 | 12.1       | 8  | 8  | 4  | 11                   | 10                   | 45° |
| DAPS-0120-...-R-F0507-CR | 9.6 | 14 | 192.9    | 80 | 24 | 14 | 10 | 13 | 16.3       | 8  | 8  | 4  | 14                   | 12                   | 45° |
| DAPS-240-...-R-F0507-CR  | 10  | 14 | 246.7    | 80 | 24 | 14 | 10 | 17 | 19.3       | 8  | 8  | 4  | 17                   | 15                   | 45° |
| DAPS-480-...-R-F0710-CR  | 10  | 14 | 298.4    | 80 | 24 | 16 | 14 | 19 | 24.3       | 8  | 8  | 4  | 22                   | 19                   | 45° |


## Ordering data

| Part no.         | Type                     | Part no.         | Type                     |
|------------------|--------------------------|------------------|--------------------------|
| <b>Size 0015</b> |                          | <b>Size 0120</b> |                          |
| 552869           | DAPS-0015-090-R-F03-CR   | 552872           | DAPS-0120-090-R-F0507-CR |
| <b>Size 0030</b> |                          | <b>Size 0240</b> |                          |
| 552870           | DAPS-0030-090-R-F03-CR   | 552873           | DAPS-0240-090-R-F0507-CR |
| <b>Size 0060</b> |                          | <b>Size 0480</b> |                          |
| 552871           | DAPS-0060-090-R-F0305-CR | 552874           | DAPS-0480-090-R-F0710-CR |

## Data sheet


Function



 Swivel angle  
0 ... 90°



 Size  
0015 ... 0240

 Torque  
15 ... 240 Nm

### General technical data

| Size                 | 0015                | 0030 | 0060 | 0120 | 0240 |
|----------------------|---------------------|------|------|------|------|
| Pneumatic connection | G1/8                |      |      |      |      |
| Design               | Scotch yoke system  |      |      |      |      |
| Mode of operation    | Single-acting       |      |      |      |      |
| Mounting position    | Any                 |      |      |      |      |
| Position sensing     | Without             |      |      |      |      |
| Cushioning           | No cushioning       |      |      |      |      |
| Swivel angle [°]     | 90                  |      |      |      |      |
| Closing direction    | Closes to the right |      |      |      |      |

### Operating and environmental conditions

| Size   | 0015   | 0030                 | 0060 | 0120 | 0240 |
|--|--|----------------------|------|------|------|
| Nominal operating pressure [bar]             | 5.6  |                      |      |      |      |
| Operating medium                             | Compressed air to ISO 8573-1:2010 [7:4:4]  |                      |      |      |      |
| Note on operating/pilot medium               | Lubricated operation possible (in which case lubricated operation will always be required) |                      |      |      |      |
| Ambient temperature [°C]                     | -20 ... +80  |                      |      |      |      |
| Corrosion resistance class CRC <sup>1)</sup> | 3  |                      |      |      |      |
| Process valve connection to standard         | -  | ISO 5211             |      |      |      |
| Valve connection conforms to standard        | -  | VDI/VDE 3845 (NAMUR) |      |      |      |
| Safety integrity level (SIL)                 | Up to SIL 2 high demand mode   |                      |      |      |      |
|  | Up to SIL 2 low demand mode  |                      |      |      |      |

1) Corrosion resistance class CRC 3 to Festo standard FN 940070

High corrosion stress. Outdoor exposure under moderate corrosive conditions. Externally visible parts with primarily functional surface requirements which are in direct contact with a normal industrial environment.

### ATEX

|  |   |
|--|---|
| ATEX category for gas                      | II 2G                                       |
| Type of ignition protection for gas        | Ex h IIC T6 ... T3 Gb X                     |
| ATEX category for dust                     | II 2D                                       |
| Type of ignition protection for dust       | Ex h IIIC T85°C ... T200°C Db X             |
| Explosion-proof ambient temperature        | -20°C ≤ Ta ≤ +60°C                          |
| CE marking (see declaration of conformity) | To EU Explosion Protection Directive (ATEX) |

## Data sheet

| Pressure ranges [bar]      |                     |                    |                            |                     |                    |
|----------------------------|---------------------|--------------------|----------------------------|---------------------|--------------------|
| Type                       | Connection pressure | Operating pressure | Type                       | Connection pressure | Operating pressure |
| <b>Size 0015</b>           |                     |                    | <b>Size 0120</b>           |                     |                    |
| DAPS-0015-090-RS1-F03-CR   | 2.8                 | 2.8 ... 8.4        | DAPS-0120-090-RS1-F0507-CR | 2.8                 | 2.8 ... 8.4        |
| DAPS-0015-090-RS2-F03-CR   | 3.5                 | 3.5 ... 8.4        | DAPS-0120-090-RS2-F0507-CR | 3.5                 | 3.5 ... 8.4        |
| DAPS-0015-090-RS3-F03-CR   | 4.2                 | 4.2 ... 8.4        | DAPS-0120-090-RS3-F0507-CR | 4.2                 | 4.2 ... 8.4        |
| DAPS-0015-090-RS4-F03-CR   | 5.6                 | 5.6 ... 8.4        | DAPS-0120-090-RS4-F0507-CR | 5.6                 | 5.6 ... 8.4        |
| <b>Size 0030</b>           |                     |                    | <b>Size 0240</b>           |                     |                    |
| DAPS-0030-090-RS1-F0305-CR | 2.8                 | 2.8 ... 8.4        | DAPS-0240-090-RS1-F0710-CR | 2.8                 | 2.8 ... 8.4        |
| DAPS-0030-090-RS2-F0305-CR | 3.5                 | 3.5 ... 8.4        | DAPS-0240-090-RS2-F0710-CR | 3.5                 | 3.5 ... 8.4        |
| DAPS-0030-090-RS3-F0305-CR | 4.2                 | 4.2 ... 8.4        | DAPS-0240-090-RS3-F0710-CR | 4.2                 | 4.2 ... 8.4        |
| DAPS-0030-090-RS4-F0305-CR | 5.6                 | 5.6 ... 8.4        | DAPS-0240-090-RS4-F0710-CR | 5.6                 | 5.6 ... 8.4        |
| <b>Size 0060</b>           |                     |                    |                            |                     |                    |
| DAPS-0060-090-RS1-F0507-CR | 2.8                 | 2.8 ... 8.4        |                            |                     |                    |
| DAPS-0060-090-RS2-F0507-CR | 3.5                 | 3.5 ... 8.4        |                            |                     |                    |
| DAPS-0060-090-RS3-F0507-CR | 4.2                 | 4.2 ... 8.4        |                            |                     |                    |
| DAPS-0060-090-RS4-F0507-CR | 5.6                 | 5.6 ... 8.4        |                            |                     |                    |


| Air consumption [l/cycle 0°-nominal swivel angle-0°] at 6 bar |      |           |      |
|---|------|-----------|------|
| Size  |      | Size      |      |
| DAPS-0015   | 0.6  | DAPS-0120 | 4.9  |
| DAPS-0030   | 1.12 | DAPS-0240 | 9.66 |
| DAPS-0060   | 2.31 |           |      |

| Weight [g] |      |           |       |
|------------|------|-----------|-------|
| Size       |      | Size      |       |
| DAPS-0015  | 1600 | DAPS-0120 | 7600  |
| DAPS-0030  | 2400 | DAPS-0240 | 12900 |
| DAPS-0060  | 4500 |           |       |

| Materials              |                            |                 |
|------------------------|----------------------------|-----------------|
| Quarter turn actuators |                            | Material number |
| Housing                | High-alloy stainless steel | 1.4408          |
| Cover                  | High-alloy stainless steel | 1.4408          |
| Shaft                  | High-alloy stainless steel | 1.4301          |
| External screws        | High-alloy stainless steel | -               |
| Seals                  | FPM, NBR, PUR              | -               |
| Note on materials      | RoHS-compliant             | -               |

Data sheet

| Actual torque [Nm] as a function of operating pressure [bar], spring force and swivel angle [°] |                    |      |      |                          |      |      |     |     |     |       |      |      |      |      |      |      |      |      |
|---|--------------------|------|------|--------------------------|------|------|-----|-----|-----|-------|------|------|------|------|------|------|------|------|
| Spring force  | Spring torque [Nm] |      |      | Operating pressure [bar] |      |      |     |     |     |       |      |      |      |      |      |      |      |      |
|   |                    |      |      | 2.5                      |      |      | 2.8 |     |     | 3     |      |      | 3.5  |      |      | 4.2  |      |      |
|   | 0°                 | 50°  | 90°  | 0°                       | 50°  | 90°  | 0°  | 50° | 90° | 0°    | 50°  | 90°  | 0°   | 50°  | 90°  | 0°   | 50°  | 90°  |
| <b>DAPS-0015</b>  |                    |      |      |                          |      |      |     |     |     |       |      |      |      |      |      |      |      |      |
| 1   | 5.0                | 3.7  | 7.5  | 6.2                      | 2.9  | 3.7  | 7.5 | 3.7 | 5   | 8.4   | 4.2  | 5.9  | 10.6 | 5.6  | 8.1  | 13.8 | 7.4  | 11.3 |
| 2   | 6.3                | 4.7  | 9.4  | -                        | -    | -    | -   | -   | -   | 7.2   | 3.3  | 4    | 9.4  | 4.7  | 6.3  | 12.6 | 6.5  | 9.4  |
| 3   | 7.5                | 5.6  | 11.3 | -                        | -    | -    | -   | -   | -   | -     | -    | -    | 8.2  | 3.7  | 4.4  | 11.3 | 5.6  | 7.5  |
| 4   | 10.0               | 7.5  | 15   | -                        | -    | -    | -   | -   | -   | -     | -    | -    | -    | -    | -    | -    | -    | -    |
| <b>DAPS-0030</b>  |                    |      |      |                          |      |      |     |     |     |       |      |      |      |      |      |      |      |      |
| 1   | 10.0               | 7.5  | 15   | 12.3                     | 5.9  | 7.3  | 15  | 7.5 | 10  | 16.8  | 8.6  | 11.8 | 21.3 | 11.3 | 16.3 | 27.5 | 15   | 22.5 |
| 2   | 12.5               | 9.4  | 18.8 | -                        | -    | -    | -   | -   | -   | 14.3  | 6.7  | 8    | 18.8 | 9.4  | 12.5 | 25.1 | 13.2 | 18.8 |
| 3   | 15.0               | 11.3 | 22.5 | -                        | -    | -    | -   | -   | -   | -     | -    | -    | 16.3 | 7.5  | 8.8  | 22.5 | 11.3 | 15   |
| 4   | 20.0               | 15   | 30   | -                        | -    | -    | -   | -   | -   | -     | -    | -    | -    | -    | -    | -    | -    | -    |
| <b>DAPS-0060</b>  |                    |      |      |                          |      |      |     |     |     |       |      |      |      |      |      |      |      |      |
| 1   | 20                 | 15   | 30   | 24.6                     | 11.8 | 14.6 | 30  | 15  | 20  | 33.6  | 17.1 | 23.6 | 42.5 | 22.5 | 32.5 | 55   | 30   | 45   |
| 2   | 25                 | 18.8 | 37.5 | -                        | -    | -    | -   | -   | -   | 28.6  | 13.4 | 16.1 | 37.5 | 18.8 | 25   | 50   | 26.3 | 37.5 |
| 3   | 30                 | 22.5 | 45   | -                        | -    | -    | -   | -   | -   | -     | -    | -    | 32.5 | 15   | 17.5 | 45   | 22.5 | 30   |
| 4   | 40                 | 30   | 60   | -                        | -    | -    | -   | -   | -   | -     | -    | -    | -    | -    | -    | -    | -    | -    |
| <b>DAPS-0120</b>  |                    |      |      |                          |      |      |     |     |     |       |      |      |      |      |      |      |      |      |
| 1   | 40                 | 30   | 60   | 49.3                     | 23.6 | 29.3 | 60  | 30  | 40  | 67.1  | 34.3 | 47.1 | 85   | 45   | 65   | 110  | 60   | 90   |
| 2   | 50                 | 37.5 | 75   | -                        | -    | -    | -   | -   | -   | 57.1  | 26.8 | 32.1 | 75   | 37.5 | 50   | 100  | 52.5 | 75   |
| 3   | 60                 | 45   | 90   | -                        | -    | -    | -   | -   | -   | -     | -    | -    | 65   | 30   | 35   | 90   | 45   | 60   |
| 4   | 80                 | 60   | 120  | -                        | -    | -    | -   | -   | -   | -     | -    | -    | -    | -    | -    | -    | -    | -    |
| <b>DAPS-0240</b>  |                    |      |      |                          |      |      |     |     |     |       |      |      |      |      |      |      |      |      |
| 1   | 80                 | 60   | 120  | 98.6                     | 47.1 | 58.6 | 120 | 60  | 80  | 134.3 | 68.6 | 94.3 | 170  | 90   | 130  | 220  | 120  | 180  |
| 2   | 100                | 75   | 150  | -                        | -    | -    | -   | -   | -   | 114.3 | 53.6 | 64.3 | 150  | 75   | 100  | 200  | 105  | 150  |
| 3   | 120                | 90   | 180  | -                        | -    | -    | -   | -   | -   | -     | -    | -    | 130  | 60   | 70   | 180  | 90   | 120  |
| 4   | 160                | 120  | 240  | -                        | -    | -    | -   | -   | -   | -     | -    | -    | -    | -    | -    | -    | -    | -    |


 **Note**  
 The operating torque of the actuator must not be greater than the maximum permissible torque listed in ISO 5211 in relation to the size of the mounting flange and of the coupling.



## Data sheet

| Actual torque [Nm] as a function of operating pressure [bar], spring force and swivel angle [°] |                    |      |      |                          |       |       |      |      |      |       |       |       |      |      |      |       |       |       |
|---|--------------------|------|------|--------------------------|-------|-------|------|------|------|-------|-------|-------|------|------|------|-------|-------|-------|
| Spring force  | Spring torque [Nm] |      |      | Operating pressure [bar] |       |       |      |      |      |       |       |       |      |      |      |       |       |       |
|   |                    |      |      | 5                        |       |       | 5.6  |      |      | 6     |       |       | 7    |      |      | 8     |       |       |
|   | 0°                 | 50°  | 90°  | 0°                       | 50°   | 90°   | 0°   | 50°  | 90°  | 0°    | 50°   | 90°   | 0°   | 50°  | 90°  | 0°    | 50°   | 90°   |
| <b>DAPS-0015</b>  |                    |      |      |                          |       |       |      |      |      |       |       |       |      |      |      |       |       |       |
| 1   | 5.0                | 3.7  | 7.5  | –                        |       |       | –    |      |      | –     |       |       | –    |      |      | –     |       |       |
| 2   | 6.3                | 4.7  | 9.4  | 16.1                     | 8.7   | 13    | 18.8 | 10.3 | 15.7 | –     |       |       | –    |      |      | –     |       |       |
| 3   | 7.5                | 5.6  | 11.3 | 14.9                     | 7.7   | 11.1  | 17.6 | 9.3  | 13.8 | 19.4  | 10.4  | 15.6  | 23.8 | 13.1 | 20   | 28.3  | 15.7  | 24.5  |
| 4   | 10.0               | 7.5  | 15   | 12.3                     | 5.9   | 7.3   | 15   | 7.5  | 10   | 16.8  | 8.6   | 11.8  | 21.3 | 11.3 | 16.3 | 25.7  | 13.9  | 20.7  |
| <b>DAPS-0030</b>  |                    |      |      |                          |       |       |      |      |      |       |       |       |      |      |      |       |       |       |
| 1   | 10.0               | 7.5  | 15   | –                        |       |       | –    |      |      | –     |       |       | –    |      |      | –     |       |       |
| 2   | 12.5               | 9.4  | 18.8 | 32.2                     | 17.5  | 25.9  | 37.6 | 20.7 | 31.3 | –     |       |       | –    |      |      | –     |       |       |
| 3   | 15.0               | 11.3 | 22.5 | 29.6                     | 15.6  | 22.1  | 35   | 18.8 | 27.5 | 38.6  | 21    | 31.1  | 47.5 | 26.4 | 40   | 56.4  | 31.7  | 48.9  |
| 4   | 20.0               | 15   | 30   | 24.6                     | 11.8  | 14.6  | 30   | 15   | 20   | 33.6  | 17.1  | 23.6  | 42.5 | 22.5 | 32.5 | 51.4  | 27.9  | 41.4  |
| <b>DAPS-0060</b>  |                    |      |      |                          |       |       |      |      |      |       |       |       |      |      |      |       |       |       |
| 1   | 20                 | 15   | 30   | –                        |       |       | –    |      |      | –     |       |       | –    |      |      | –     |       |       |
| 2   | 25                 | 18.8 | 37.5 | 64.3                     | 34.9  | 51.8  | 75   | 41.4 | 62.5 | –     |       |       | –    |      |      | –     |       |       |
| 3   | 30                 | 22.5 | 45   | 59.3                     | 31.1  | 44.3  | 70   | 37.5 | 55   | 77.1  | 41.8  | 62.1  | 95   | 52.5 | 80   | 112.9 | 63.2  | 97.9  |
| 4   | 40                 | 30   | 60   | 49.3                     | 23.6  | 29.3  | 60   | 30   | 40   | 67.1  | 34.3  | 47.1  | 85   | 45   | 65   | 102.9 | 55.7  | 82.9  |
| <b>DAPS-0120</b>  |                    |      |      |                          |       |       |      |      |      |       |       |       |      |      |      |       |       |       |
| 1   | 40                 | 30   | 60   | –                        |       |       | –    |      |      | –     |       |       | –    |      |      | –     |       |       |
| 2   | 50                 | 37.5 | 75   | 128.6                    | 69.6  | 103.6 | 150  | 82.5 | 125  | –     |       |       | –    |      |      | –     |       |       |
| 3   | 60                 | 45   | 90   | 118.6                    | 62.1  | 88.6  | 140  | 75   | 110  | 154.3 | 83.6  | 124.3 | 190  | 105  | 160  | 225.7 | 126.4 | 195.7 |
| 4   | 80                 | 60   | 120  | 98.6                     | 47.1  | 58.6  | 120  | 60   | 80   | 134.3 | 68.6  | 94.3  | 170  | 90   | 130  | 205.7 | 111.4 | 165.7 |
| <b>DAPS-0240</b>  |                    |      |      |                          |       |       |      |      |      |       |       |       |      |      |      |       |       |       |
| 1   | 80                 | 60   | 120  | –                        |       |       | –    |      |      | –     |       |       | –    |      |      | –     |       |       |
| 2   | 100                | 75   | 150  | 257.1                    | 139.3 | 207.1 | 300  | 165  | 250  | –     |       |       | –    |      |      | –     |       |       |
| 3   | 120                | 90   | 180  | 237.1                    | 124.3 | 177.1 | 280  | 150  | 220  | 308.6 | 167.1 | 248.6 | 380  | 210  | 320  | 451.4 | 252.9 | 391.4 |
| 4   | 160                | 120  | 240  | 197.1                    | 94.3  | 117.1 | 240  | 120  | 160  | 268.6 | 137.1 | 188.6 | 340  | 180  | 260  | 411.4 | 222.9 | 331.4 |

Torque for size at 5.6 bar  
and swivel angle 0°

 **Note**

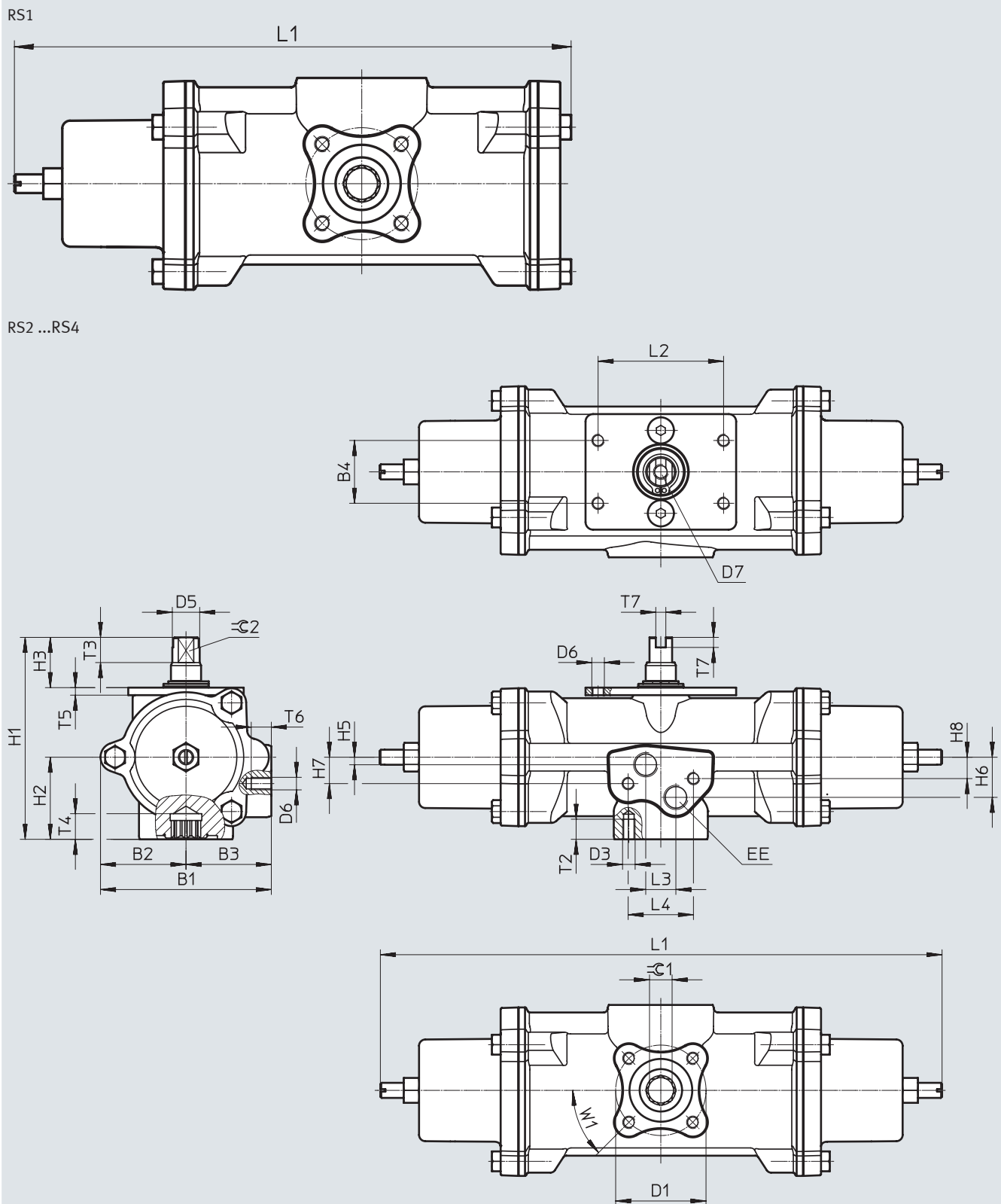
The operating torque of the actuator must not be greater than the maximum permissible torque listed in ISO 5211 in relation to the size of the mounting flange and of the coupling.

Data sheet

Dimensions

Download CAD data → [www.festo.com](http://www.festo.com)

DAPS-0015-090-...-F03-CR



Data sheet

| Size                    | B1   | B2   | B3 | B4 | D1<br>∅ | D3 | D5<br>∅ | D6 | D7 | EE   | H1   | H2   | H3 | H5 | H6 | H7   |
|-------------------------|------|------|----|----|---------|----|---------|----|----|------|------|------|----|----|----|------|
| DAPS-0015-090-RS-F03-CR | 68.1 | 34.1 | 34 | 25 | 36      | M5 | 10.9    | M5 | M6 | G1/8 | 80.4 | 32.7 | 20 | 3  | 16 | 10.5 |

| Size                    | H8  | L1<br>±2 |           | L2 | L3 | L4 | T2 | T3 | T4<br>±0.4 | T5 | T6 | T7 | ≙ 1 | ≙ 2 | W1  |
|-------------------------|-----|----------|-----------|----|----|----|----|----|------------|----|----|----|-----|-----|-----|
|                         |     | RS1      | RS2...RS4 |    |    |    |    |    |            |    |    |    | H11 | h11 |     |
| DAPS-0015-090-RS-F03-CR | 8.5 | 179      | 224       | 50 | 12 | 26 | 8  | 10 | 10.2       | 3  | 8  | 4  | 9   | 9   | 45° |

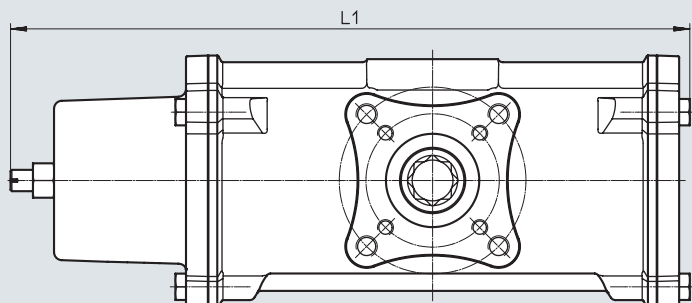
Data sheet

Dimensions

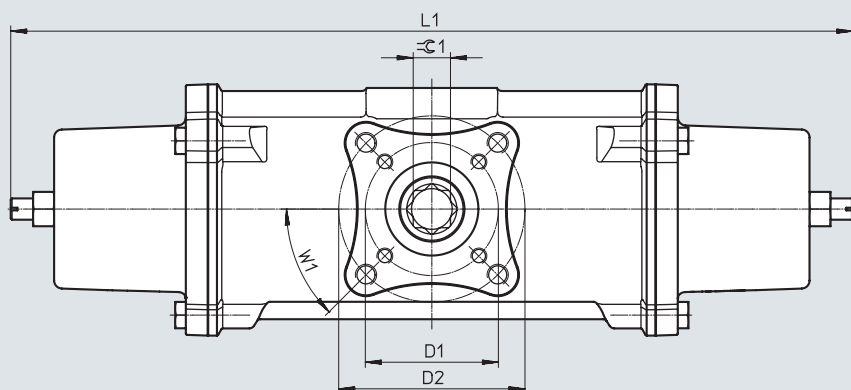
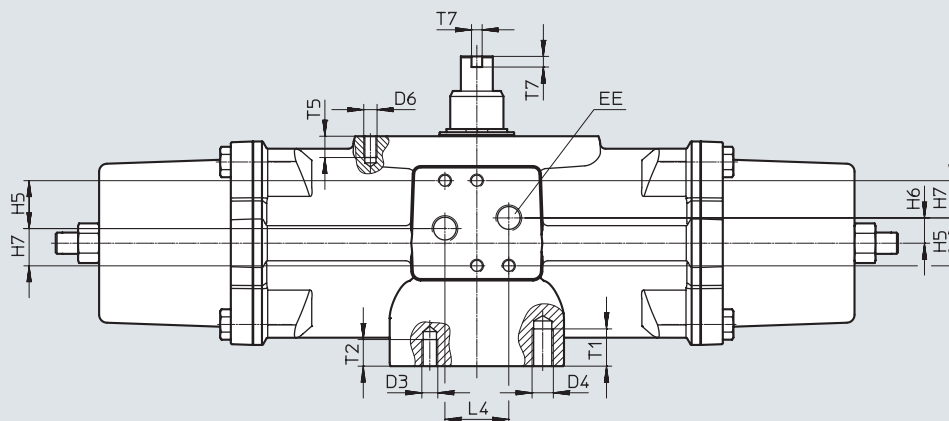
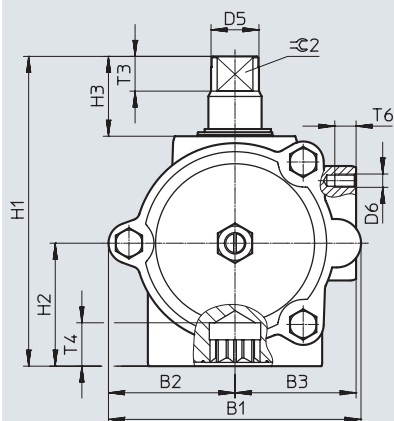
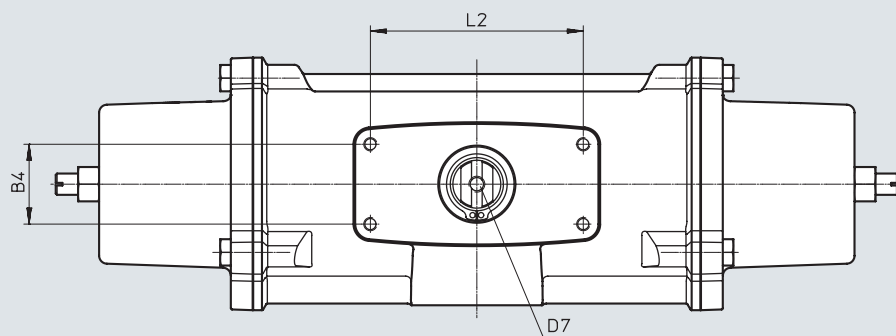
Download CAD data → [www.festo.com](http://www.festo.com)

DAPS-...-090-...-CR

RS1



RS2 ...RS4



## Data sheet

| Size                     | B1    | B2   | B3   | B4 | D1<br>∅ | D2<br>∅ | D3 | D4  | D5<br>∅ | D6 | D7 | EE   | H1    | H2   | H3 | H5 |
|--------------------------|-------|------|------|----|---------|---------|----|-----|---------|----|----|------|-------|------|----|----|
| DAPS-0030- ... -F0305-CR | 80.3  | 41.1 | 39.2 | 25 | 36      | 50      | M5 | M6  | 14.5    | M5 | M6 | G1/8 | 92.4  | 37.6 | 20 | 18 |
| DAPS-0060- ... -F0507-CR | 94.4  | 47   | 45.5 | 30 | 50      | 70      | M6 | M8  | 18      | M5 | M6 | G1/8 | 116.4 | 46.2 | 30 | 18 |
| DAPS-0120- ... -F0507-CR | 117   | 60.2 | 54.5 | 30 | 50      | 70      | M6 | M8  | 22.5    | M5 | M6 | G1/8 | 136.4 | 56.1 | 30 | 18 |
| DAPS-0240- ... -F0710-CR | 139.7 | 70.9 | 67   | 30 | 70      | 102     | M8 | M10 | 29      | M5 | M6 | G1/8 | 160   | 67.9 | 30 | 18 |

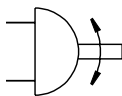
| Size                     | H6  | H7 | L1<br>±2 |           | L2 | L4 | T1 | T2 | T3 | T4<br>±0.4 | T5 | T6 | T7 | ⊕ 1 | ⊕ 2 | W1  |
|--------------------------|-----|----|----------|-----------|----|----|----|----|----|------------|----|----|----|-----|-----|-----|
|                          |     |    | RS1      | RS2...RS4 |    |    |    |    |    |            |    |    |    | H11 | h11 |     |
| DAPS-0030- ... -F0305-CR | 9.6 | 14 | 202.3    | 246.2     | 50 | 24 | 10 | 8  | 13 | 12.1       | 8  | 8  | 4  | 11  | 10  | 45° |
| DAPS-0060- ... -F0507-CR | 9.5 | 14 | 254.7    | 316.5     | 80 | 24 | 14 | 10 | 13 | 16.3       | 8  | 8  | 4  | 14  | 12  | 45° |
| DAPS-0120- ... -F0507-CR | 10  | 14 | 311.5    | 376.2     | 80 | 24 | 14 | 10 | 17 | 19.3       | 8  | 8  | 4  | 17  | 15  | 45° |
| DAPS-0240- ... -F0710-CR | 10  | 14 | 381      | 464       | 80 | 24 | 16 | 14 | 19 | 24.3       | 8  | 8  | 4  | 22  | 19  | 45° |

## Ordering data

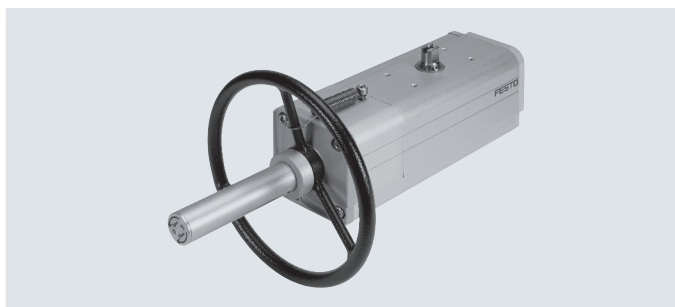
| Part no.         | Type                       | Part no.         | Type                       |
|------------------|----------------------------|------------------|----------------------------|
| <b>Size 0015</b> |                            | <b>Size 0120</b> |                            |
| 552875           | DAPS-0015-090-RS1-F03-CR   | 552887           | DAPS-0120-090-RS1-F0507-CR |
| 552876           | DAPS-0015-090-RS2-F03-CR   | 552888           | DAPS-0120-090-RS2-F0507-CR |
| 552877           | DAPS-0015-090-RS3-F03-CR   | 552889           | DAPS-0120-090-RS3-F0507-CR |
| 552878           | DAPS-0015-090-RS4-F03-CR   | 552890           | DAPS-0120-090-RS4-F0507-CR |
| <b>Size 0030</b> |                            | <b>Size 0240</b> |                            |
| 552879           | DAPS-0030-090-RS1-F0305-CR | 552891           | DAPS-0240-090-RS1-F0710-CR |
| 552880           | DAPS-0030-090-RS2-F0305-CR | 552892           | DAPS-0240-090-RS2-F0710-CR |
| 552881           | DAPS-0030-090-RS3-F0305-CR | 552893           | DAPS-0240-090-RS3-F0710-CR |
| 552882           | DAPS-0030-090-RS4-F0305-CR | 552894           | DAPS-0240-090-RS4-F0710-CR |
| <b>Size 0060</b> |                            |                  |                            |
| 552883           | DAPS-0060-090-RS1-F0507-CR |                  |                            |
| 552884           | DAPS-0060-090-RS2-F0507-CR |                  |                            |
| 552885           | DAPS-0060-090-RS3-F0507-CR |                  |                            |
| 552886           | DAPS-0060-090-RS4-F0507-CR |                  |                            |

## Data sheet


Function



 Swivel angle  
92°



 Size  
0106 ... 1920

 Torque  
0106 ... 1920 Nm

| General technical data |                     |      |      |      |      |
|------------------------|---------------------|------|------|------|------|
| Size                   | 0106                | 0180 | 0240 | 0360 | 0480 |
| Pneumatic connection   | G1/8                |      |      |      | G1/4 |
| Shaft connection depth | 19.3                | 24.8 | 24.8 | 24.3 | 29.5 |
| Design                 | Scotch yoke system  |      |      |      |      |
| Mode of operation      | Double-acting       |      |      |      |      |
| Mounting position      | Any                 |      |      |      |      |
| Position sensing       | Without             |      |      |      |      |
| Cushioning             | No cushioning       |      |      |      |      |
| Swivel angle           | [°]                 | 92   |      |      |      |
| Closing direction      | Closes to the right |      |      |      |      |

| Size                   | 0720                | 0960 | 1440 | 1920 |
|------------------------|---------------------|------|------|------|
| Pneumatic connection   | G1/4                |      |      |      |
| Shaft connection depth | 29.5                | 38.5 | 38.5 | 48.5 |
| Design                 | Scotch yoke system  |      |      |      |
| Mode of operation      | Double-acting       |      |      |      |
| Mounting position      | Any                 |      |      |      |
| Position sensing       | Without             |      |      |      |
| Cushioning             | No cushioning       |      |      |      |
| Swivel angle           | [°]                 | 92   |      |      |
| Closing direction      | Closes to the right |      |      |      |

## Data sheet

| Operating and environmental conditions       |       | 0106   | 0180 | 0240 | 0360 | 00480 |
|--|-------|--|------|------|------|-------|
| Size   |       |  |      |      |      |       |
| Operating pressure <sup>1)</sup>             | [bar] | 1 ... 8.4  |      |      |      |       |
| Nominal operating pressure                   | [bar] | 5.6  |      |      |      |       |
| Operating medium                             |       | Compressed air to ISO 8573-1:2010 [7:4:4]  |      |      |      |       |
| Note on operating/pilot medium               |       | Lubricated operation possible (in which case lubricated operation will always be required) |      |      |      |       |
| Ambient temperature                          | [°C]  | -20 ... 80   |      |      |      |       |
| Ambient temperature for variant T6           | [°C]  | -50 ... 60   |      |      |      |       |
| Corrosion resistance class CRC <sup>2)</sup> |       | 2  |      |      |      |       |
| Process valve connection to standard         |       | ISO 5211   |      |      |      |       |
| Valve connection conforms to standard        |       | VDI/VDE 3845 (NAMUR)   |      |      |      |       |
| Safety integrity level (SIL)                 |       | Up to SIL 2 high demand mode<br>Up to SIL 2 low demand mode                                |      |      |      |       |

|  |       | 0720   | 0960 | 1440 | 1920 |
|--|-------|--|------|------|------|
| Size   |       |  |      |      |      |
| Operating pressure <sup>1)</sup>             | [bar] | 1 ... 8.4  |      |      |      |
| Nominal operating pressure                   | [bar] | 5.6  |      |      |      |
| Operating medium                             |       | Compressed air to ISO 8573-1:2010 [7:4:4]  |      |      |      |
| Note on operating/pilot medium               |       | Lubricated operation possible (in which case lubricated operation will always be required) |      |      |      |
| Ambient temperature                          | [°C]  | -20 ... 80   |      |      |      |
| Ambient temperature for variant T6           | [°C]  | -50 ... 60   |      |      |      |
| Corrosion resistance class CRC <sup>2)</sup> |       | 2  |      |      |      |
| Process valve connection to standard         |       | ISO 5211   |      |      |      |
| Valve connection conforms to standard        |       | VDI/VDE 3845 (NAMUR)   |      |      |      |
| Safety integrity level (SIL)                 |       | Up to SIL 2 high demand mode<br>Up to SIL 2 low demand mode                                |      |      |      |

1) Operating pressure for variant T6 3...8.4 bar

2) Corrosion resistance class CRC 2 to Festo standard FN 940070

Moderate corrosion stress. Indoor applications in which condensation can occur. External visible parts with primarily decorative surface requirements which are in direct contact with a normal industrial environment.

| ATEX                                       |   |
|--|---|
| ATEX category for gas                      | II 2G                                       |
| Type of ignition protection for gas        | Ex h IIC T6 ... T3 Gb X                     |
| ATEX category for dust                     | II 2D                                       |
| Type of ignition protection for dust       | Ex h IIIC T85°C ... T200°C Db X             |
| Explosion-proof ambient temperature        | -20°C ≤ Ta ≤ +60°C                          |
| Explosion-proof ambient temperature [T6]   | -50°C ≤ Ta ≤ +60°C                          |
| CE marking (see declaration of conformity) | To EU Explosion Protection Directive (ATEX) |

## Data sheet

| Air consumption [l/cycle 0°-nominal swivel angle-0°] at 6 bar |       | Size |       |
|---|-------|------|-------|
| Size  |       | Size |       |
| 0106  | 3.85  | 0720 | 32.2  |
| 0180  | 8.4   | 0960 | 42.35 |
| 0240  | 11.55 | 1440 | 67.9  |
| 0360  | 16.1  | 1920 | 90.3  |
| 0480  | 22.4  |      |       |

| Weight [g] |       | Size |       |
|------------|-------|------|-------|
| Size       |       | Size |       |
| 0106       | 4000  | 0720 | 17800 |
| 0180       | 6000  | 0960 | 23800 |
| 0240       | 8000  | 1440 | 33600 |
| 0360       | 10200 | 1920 | 43000 |
| 0480       | 13200 |      |       |


| Materials              |  |                 |
|------------------------|--|-----------------|
| Quarter turn actuators |  | Material number |
| Housing                | Wrought aluminium alloy                                      | -               |
| Cover                  | Wrought aluminium alloy                                      | -               |
| [T6]                   | Wrought aluminium alloy                                      | -               |
| Shaft                  | High-alloy steel   | 1.4305          |
| Screws                 | High-alloy steel   | -               |
| Seals                  | NBR, PUR, FPM  | -               |
| [T6]                   | PTFE reinforced, FVMQ  | -               |
| Note on materials      | RoHS-compliant   | -               |
| [T6]                   | Contains paint-wetting impairment substances, RoHS-compliant | -               |



## Data sheet

| Actual torque [Nm] as a function of operating pressure [bar] and swivel angle [°] |                  |                          |        |        |        |      |        |       |        |
|---|------------------|--------------------------|--------|--------|--------|------|--------|-------|--------|
| Size  | Swivel angle [°] | Operating pressure [bar] |        |        |        |      |        |       |        |
|   |                  | 2.5                      | 3      | 4      | 5      | 5.6  | 6      | 7     | 8      |
| DAPS-0106   | 0°               | 47.3                     | 56.8   | 75.7   | 94.6   | 106  | 113.6  | 132.5 | 151.4  |
|   | 50°              | 23.7                     | 28.4   | 37.9   | 47.3   | 53   | 56.8   | 66.3  | 75.7   |
|   | 90°              | 35.7                     | 72.9   | 57.1   | 71.4   | 80   | 85.7   | 100   | 114.3  |
| DAPS-0180   | 0°               | 80.4                     | 96.4   | 128.6  | 160.7  | 180  | 192.9  | 225   | 257.1  |
|   | 50°              | 40.2                     | 48.2   | 64.3   | 80.4   | 90   | 96.4   | 112.5 | 128.6  |
|   | 90°              | 60.3                     | 72.3   | 96.4   | 120.5  | 135  | 144.6  | 168.8 | 192.9  |
| DAPS-0240   | 0°               | 107.1                    | 128.6  | 171.4  | 214.3  | 240  | 257.1  | 300   | 342.9  |
|   | 50°              | 53.6                     | 64.3   | 85.7   | 107.1  | 120  | 128.6  | 150   | 171.4  |
|   | 90°              | 80.4                     | 96.4   | 128.6  | 160.7  | 180  | 192.9  | 225   | 257.1  |
| DAPS-0360   | 0°               | 160.7                    | 192.9  | 257.1  | 321.4  | 360  | 385.7  | 450   | 514.3  |
|   | 50°              | 80.4                     | 96.4   | 128.6  | 160.7  | 180  | 192.9  | 225   | 257.1  |
|   | 90°              | 120.5                    | 144.6  | 192.9  | 241.1  | 270  | 289.3  | 337.5 | 385.7  |
| DAPS-0480   | 0°               | 214.3                    | 257.1  | 342.9  | 428.6  | 480  | 514.3  | 600   | 685.7  |
|   | 50°              | 107.1                    | 128.6  | 171.4  | 214.3  | 240  | 257.1  | 300   | 342.9  |
|   | 90°              | 160.7                    | 192.9  | 257.1  | 321.4  | 360  | 385.7  | 450   | 514.3  |
| DAPS-0720   | 0°               | 321.4                    | 385.7  | 514.3  | 642.9  | 720  | 771.4  | 900   | 1028.6 |
|   | 50°              | 160.7                    | 192.9  | 257.1  | 321.4  | 360  | 385.7  | 450   | 514.3  |
|   | 90°              | 241.1                    | 289.3  | 385.7  | 482.1  | 540  | 578.6  | 675   | 771.4  |
| DAPS-0960   | 0°               | 428.6                    | 514.3  | 685.7  | 857.1  | 960  | 1028.6 | 1200  | 1371.4 |
|   | 50°              | 214.3                    | 257.1  | 342.9  | 428.6  | 480  | 514.3  | 600   | 685.7  |
|   | 90°              | 321.4                    | 385.7  | 514.3  | 642.9  | 720  | 771.4  | 900   | 1028.6 |
| DAPS-1440   | 0°               | 642.9                    | 771.4  | 1028.6 | 1285.7 | 1440 | 1542.9 | 1800  | 2057.1 |
|   | 50°              | 321.4                    | 385.7  | 514.3  | 642.9  | 720  | 771.4  | 900   | 1028.6 |
|   | 90°              | 482.1                    | 578.6  | 771.4  | 964.3  | 1080 | 1157.1 | 1350  | 1542.9 |
| DAPS-1920   | 0°               | 857.1                    | 1028.6 | 1371.4 | 1714.3 | 1920 | 2057.1 | 2400  | 2742.9 |
|   | 50°              | 428.6                    | 514.3  | 685.7  | 857.1  | 960  | 1028.6 | 1200  | 1371.4 |
|   | 90°              | 642.9                    | 771.4  | 1028.6 | 1285.7 | 1440 | 1542.9 | 1800  | 2057.1 |

Torque for size at 5.6 bar  
and swivel angle 0°

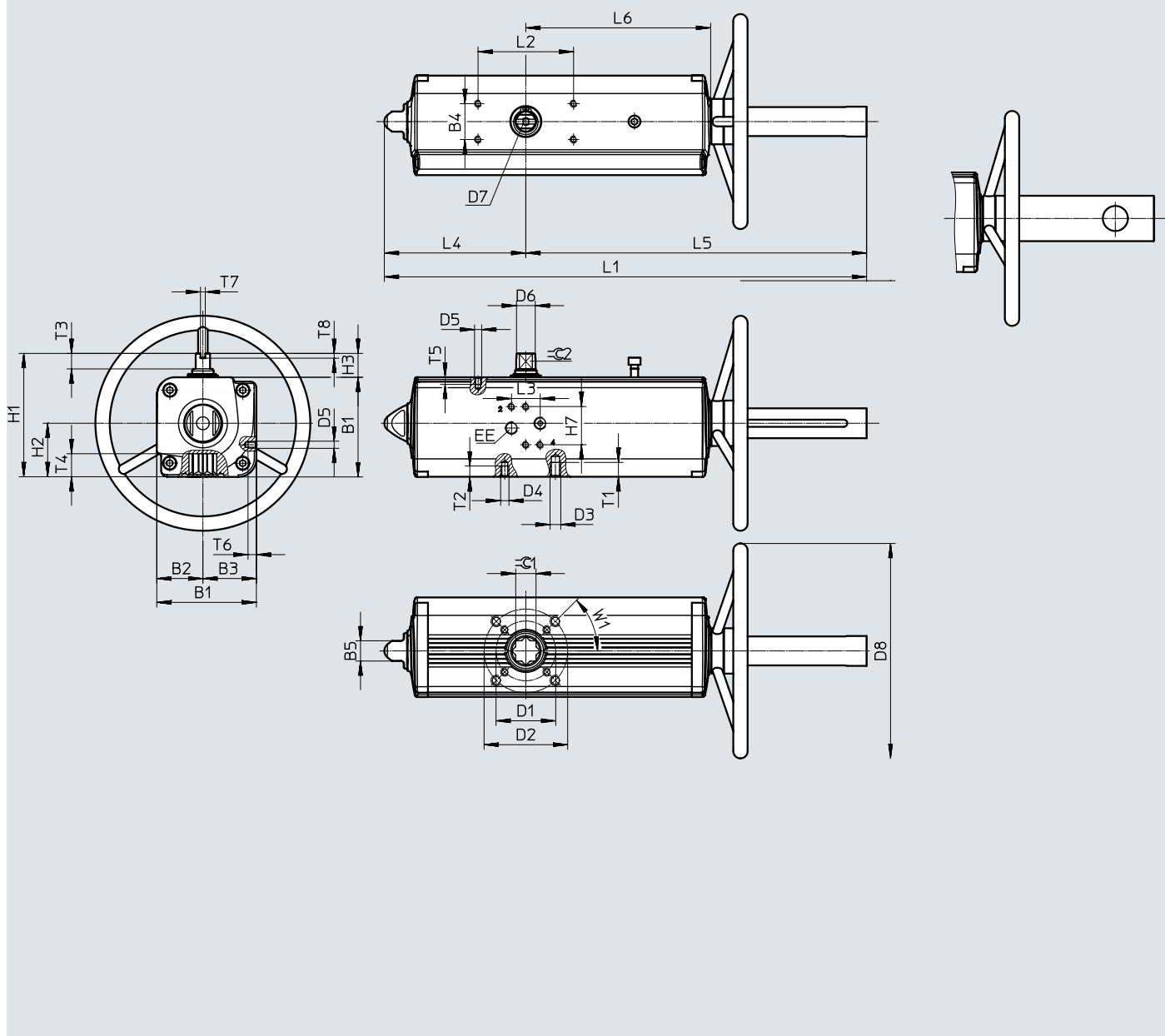
 - **Note**

The operating torque of the actuator must not be greater than the maximum permissible torque listed in ISO 5211 in relation to the size of the mounting flange and of the coupling.

Data sheet

Dimensions

Download CAD data → [www.festo.com](http://www.festo.com)



## Data sheet

| Size                    | B1<br>±0.4 | B2   | B3    | B4 | B5 | D1<br>∅ | D2<br>∅ | D3  | D4  | D5 | D6<br>∅ | D7    |
|-------------------------|------------|------|-------|----|----|---------|---------|-----|-----|----|---------|-------|
| DAPS-0106-...-F0507-... | 83.3       | 38.5 | 44.8  | 30 | 17 | 50      | 70      | M8  | M6  | M5 | 16.2    | M6x12 |
| DAPS-0180-...-F0710-... | 107.5      | 51   | 56.5  | 30 | 22 | 70      | 102     | M10 | M8  | M5 | 20.2    | M6x12 |
| DAPS-0240-...-F0710-... | 111.1      | 51   | 60.1  | 30 | 22 | 70      | 102     | M10 | M8  | M5 | 22.5    | M6x12 |
| DAPS-0360-...-F0710-... | 118        | 56   | 62    | 30 | 22 | 70      | 102     | M10 | M8  | M5 | 25.5    | M6x12 |
| DAPS-0480-...-F1012-... | 134.9      | 62   | 72.9  | 30 | 27 | 102     | 125     | M12 | M10 | M5 | 29      | M6x12 |
| DAPS-0720-...-F1012-... | 148        | 69.5 | 78.5  | 30 | 27 | 102     | 125     | M12 | M10 | M5 | 31.8    | M6x12 |
| DAPS-0960-...-F1012-... | 168        | 74.5 | 93.5  | 30 | 27 | 102     | 125     | M12 | M10 | M5 | 36.5    | M6x12 |
| DAPS-0960-...-F14-...   | 168        | 74.5 | 93.5  | 30 | 27 | -       | 140     | M16 | -   | M5 | 36.5    | M6x12 |
| DAPS-1440-...-F12-...   | 186        | 84.5 | 101.5 | 30 | 36 | -       | 125     | M12 | -   | M5 | 41      | M6x12 |
| DAPS-1440-...-F14-...   | 186        | 84.5 | 101.5 | 30 | 36 | -       | 140     | M16 | -   | M5 | 41      | M6x12 |
| DAPS-1920-...-F14-...   | 207.7      | 93   | 114.7 | 30 | 36 | -       | 140     | M16 | -   | M5 | 46      | M6x12 |
| DAPS-1920-...-F1216-... | 207.7      | 93   | 114.7 | 30 | 36 | 125     | 165     | M20 | M12 | M5 | 46      | M6x12 |

| Size                    | D8<br>∅ | EE   | H1    | H2    | H3     | H7 | L1<br>±2 | L2 | L3 | L4    | L5    | L6    |
|-------------------------|---------|------|-------|-------|--------|----|----------|----|----|-------|-------|-------|
| DAPS-0106-...-F0507-... | 180     | G1/8 | 103.3 | 44.8  | 20±0.4 | 32 | 403.9    | 80 | 24 | 118.5 | 279.3 | 154.8 |
| DAPS-0180-...-F0710-... | 220     | G1/8 | 137.5 | 56.5  | 30±0.4 | 32 | 493.2    | 80 | 24 | 144.9 | 338.1 | 183.5 |
| DAPS-0240-...-F0710-... | 220     | G1/8 | 141.1 | 60.1  | 30±0.4 | 32 | 520.6    | 80 | 24 | 156.8 | 353.7 | 199.1 |
| DAPS-0360-...-F0710-... | 300     | G1/8 | 148   | 62    | 30±0.4 | 32 | 578.8    | 80 | 24 | 169.6 | 398   | 220.8 |
| DAPS-0480-...-F1012-... | 300     | G1/4 | 164.9 | 72.9  | 30±0.4 | 32 | 618.8    | 80 | 24 | 193.8 | 440.6 | 236.4 |
| DAPS-0720-...-F1012-... | 350     | G1/4 | 178   | 78.5  | 30±0.4 | 32 | 732.8    | 80 | 24 | 216.6 | 503.5 | 282.3 |
| DAPS-0960-...-F1012-... | 350     | G1/4 | 198   | 93.5  | 30±0.5 | 32 | 770.2    | 80 | 24 | 239.7 | 518.3 | 297.1 |
| DAPS-0960-...-F14-...   | 350     | G1/4 | 198   | 93.5  | 30±0.5 | 32 | 770.2    | 80 | 24 | 239.7 | 518.3 | 297.1 |
| DAPS-1440-...-F12-...   | 400     | G1/4 | 216   | 101.5 | 30±0.5 | 32 | 936.9    | 80 | 24 | 283.5 | 636.4 | 365.6 |
| DAPS-1440-...-F14-...   | 400     | G1/4 | 216   | 101.5 | 30±0.5 | 32 | 936.9    | 80 | 24 | 283.5 | 636.4 | 365.6 |
| DAPS-1920-...-F14-...   | 400     | G1/4 | 237.7 | 114.7 | 30±0.8 | 32 | 970.3    | 80 | 24 | 300.4 | 653.7 | 382.9 |
| DAPS-1920-...-F1216-... | 400     | G1/4 | 237.7 | 114.7 | 30±0.8 | 32 | 970.3    | 80 | 24 | 300.4 | 653.7 | 382.9 |

| Size                    | T1 | T2 | T3   | T4       | T5 | T6 | T7<br>+0.1 | T8<br>+0.3 | ≈C 1<br>H11 | ≈C 2<br>h11 | W1  |
|-------------------------|----|----|------|----------|----|----|------------|------------|-------------|-------------|-----|
| DAPS-0106-...-F0507-... | 12 | 9  | 13   | 19.3±0.4 | 6  | 7  | 4          | 4          | 17          | 12          | 45° |
| DAPS-0180-...-F0710-... | 15 | 12 | 16   | 24.8±0.4 | 6  | 7  | 4          | 4          | 22          | 15          | 45° |
| DAPS-0240-...-F0710-... | 15 | 12 | 17   | 24.8±0.4 | 6  | 7  | 4          | 4          | 22          | 15          | 45° |
| DAPS-0360-...-F0710-... | 15 | 12 | 19   | 24.3±0.4 | 6  | 7  | 4          | 4          | 22          | 19          | 45° |
| DAPS-0480-...-F1012-... | 18 | 15 | 19   | 29.5±0.4 | 6  | 7  | 4          | 4          | 27          | 19          | 45° |
| DAPS-0720-...-F1012-... | 18 | 15 | 19.5 | 29.5±0.4 | 6  | 7  | 4          | 4          | 27          | 22          | 45° |
| DAPS-0960-...-F1012-... | 18 | 15 | 19.5 | 38.5±0.5 | 6  | 7  | 4          | 4          | 36          | 24          | 45° |
| DAPS-0960-...-F14-...   | 24 | -  | 19.5 | 38.5±0.5 | 6  | 7  | 4          | 4          | 36          | 24          | 45° |
| DAPS-1440-...-F12-...   | 18 | -  | 19.5 | 38.5±0.5 | 6  | 7  | 4          | 4          | 36          | 27          | 45° |
| DAPS-1440-...-F14-...   | 24 | -  | 19.5 | 38.5±0.5 | 6  | 7  | 4          | 4          | 36          | 27          | 45° |
| DAPS-1920-...-F14-...   | 24 | -  | 18.5 | 48.5±0.8 | 6  | 7  | 4          | 4          | 46          | 32          | 45° |
| DAPS-1920-...-F1216-... | 30 | 18 | 18.5 | 48.5±0.8 | 6  | 7  | 4          | 4          | 46          | 32          | 45° |

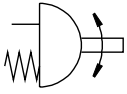
## Data sheet


| Ordering data – Double-acting |  | Part no.       | Type                            | Part no.         | Type                            |
|-------------------------------|--|----------------|---------------------------------|------------------|---------------------------------|
| <b>Size 0106</b>              |  | <b>8005002</b> | <b>DAPS-0106-090-R-F0507-MW</b> | <b>Size 0960</b> |                                 |
|                               |  |                |                                 | <b>8005008</b>   | <b>DAPS-0960-090-R-F1012-MW</b> |
|                               |  |                |                                 | <b>8005009</b>   | <b>DAPS-0960-090-R-F14-MW</b>   |
| <b>Size 0180</b>              |  | <b>8005003</b> | <b>DAPS-0180-090-R-F0710-MW</b> | <b>Size 1440</b> |                                 |
|                               |  |                |                                 | <b>8005010</b>   | <b>DAPS-1440-090-R-F12-MW</b>   |
|                               |  |                |                                 | <b>8005011</b>   | <b>DAPS-1440-090-R-F14-MW</b>   |
| <b>Size 0240</b>              |  | <b>8005004</b> | <b>DAPS-0240-090-R-F0710-MW</b> | <b>Size 1920</b> |                                 |
|                               |  |                |                                 | <b>8005013</b>   | <b>DAPS-1920-090-R-F1216-MW</b> |
|                               |  |                |                                 | <b>8005012</b>   | <b>DAPS-1920-090-R-F14-MW</b>   |
| <b>Size 0360</b>              |  | <b>8005005</b> | <b>DAPS-0360-090-R-F0710-MW</b> |                  |                                 |
| <b>Size 0480</b>              |  | <b>8005006</b> | <b>DAPS-0480-090-R-F1012-MW</b> |                  |                                 |
| <b>Size 0720</b>              |  | <b>8005007</b> | <b>DAPS-0720-090-R-F1012-MW</b> |                  |                                 |

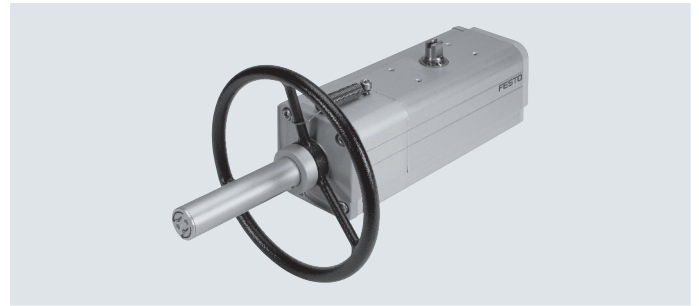
| Ordering data – Double-acting T6 |  | Part no.       | Type                               | Part no.         | Type                               |
|----------------------------------|--|----------------|------------------------------------|------------------|------------------------------------|
| <b>Size 0106</b>                 |  | <b>8005014</b> | <b>DAPS-0106-090-R-F0507-MW-T6</b> | <b>Size 0960</b> |                                    |
|                                  |  |                |                                    | <b>8005020</b>   | <b>DAPS-0960-090-R-F1012-MW-T6</b> |
|                                  |  |                |                                    | <b>8005021</b>   | <b>DAPS-0960-090-R-F14-MW-T6</b>   |
| <b>Size 0180</b>                 |  | <b>8005015</b> | <b>DAPS-0180-090-R-F0710-MW-T6</b> | <b>Size 1440</b> |                                    |
|                                  |  |                |                                    | <b>8005022</b>   | <b>DAPS-1440-090-R-F12-MW-T6</b>   |
|                                  |  |                |                                    | <b>8005023</b>   | <b>DAPS-1440-090-R-F14-MW-T6</b>   |
| <b>Size 0240</b>                 |  | <b>8005016</b> | <b>DAPS-0240-090-R-F0710-MW-T6</b> | <b>Size 1920</b> |                                    |
|                                  |  |                |                                    | <b>8005024</b>   | <b>DAPS-1920-090-R-F14-MW-T6</b>   |
|                                  |  |                |                                    | <b>8005025</b>   | <b>DAPS-1920-090-R-F1216-MW-T6</b> |
| <b>Size 0360</b>                 |  | <b>8005017</b> | <b>DAPS-0360-090-R-F0710-MW-T6</b> |                  |                                    |
| <b>Size 0480</b>                 |  | <b>8005018</b> | <b>DAPS-0480-090-R-F1012-MW-T6</b> |                  |                                    |
| <b>Size 0720</b>                 |  | <b>8005019</b> | <b>DAPS-0720-090-R-F1012-MW-T6</b> |                  |                                    |



## Data sheet

## Function



 Swivel angle  
 0 ... 92°



-  - Size  
 0053 ... 0960  
 -  - Torque  
 0053 ... 0960 Nm

**General technical data**

| Size                                     | 0053                                   | 0090 | 0120 | 0180 | 0240 |
|--|--|------|------|------|------|
| Pneumatic connection                     | G1/8                                   |      |      |      | G1/4 |
| Shaft connection depth [mm]              | 19.3                                   | 24.8 | 24.8 | 24.3 | 29.5 |
| Note on the end-position adjusting range | One end position optionally adjustable |      |      |      |      |
| Design                                   | Scotch yoke system                     |      |      |      |      |
| Mode of operation                        | Single-acting                          |      |      |      |      |
| Mounting position                        | Any                                    |      |      |      |      |
| Position sensing                         | Without                                |      |      |      |      |
| Cushioning                               | No cushioning                          |      |      |      |      |
| Swivel angle [°]                         | 92                                     |      |      |      |      |
| Closing direction                        | Closes to the right                    |      |      |      |      |

| Size                                     | 0360                                   | 0480 | 0720 | 0960 |
|--|--|------|------|------|
| Pneumatic connection                     | G1/4                                   |      |      |      |
| Shaft connection depth [mm]              | 29.5                                   | 38.5 | 38.5 | 48.5 |
| Note on the end-position adjusting range | One end position optionally adjustable |      |      |      |
| Design                                   | Scotch yoke system                     |      |      |      |
| Mode of operation                        | Single-acting                          |      |      |      |
| Mounting position                        | Any                                    |      |      |      |
| Position sensing                         | Without                                |      |      |      |
| Cushioning                               | No cushioning                          |      |      |      |
| Swivel angle [°]                         | 92                                     |      |      |      |
| Closing direction                        | Closes to the right                    |      |      |      |

## Data sheet

| Operating and environmental conditions       |       | 0053   | 0090 | 0120 | 0180 | 0240 |
|--|-------|--|------|------|------|------|
| Size   |       |  |      |      |      |      |
| Nominal operating pressure                   | [bar] | 5.6  |      |      |      |      |
| Operating medium                             |       | Compressed air to ISO 8573-1:2010 [7:4:4]  |      |      |      |      |
| Note on operating/pilot medium               |       | Lubricated operation possible (in which case lubricated operation will always be required) |      |      |      |      |
| Ambient temperature                          | [°C]  | -20 ... 80   |      |      |      |      |
| Corrosion resistance class CRC <sup>1)</sup> |       | 2  |      |      |      |      |
| Process valve connection to standard         |       | ISO 5211   |      |      |      |      |
| Valve connection conforms to standard        |       | VDI/VDE 3845 (NAMUR)   |      |      |      |      |
| Safety integrity level (SIL)                 |       | Up to SIL 2 high demand mode   |      |      |      |      |
|  |       | Up to SIL 2 low demand mode  |      |      |      |      |

|  |       | 0360   | 0480 | 0720 | 0960 |
|--|-------|--|------|------|------|
| Size   |       |  |      |      |      |
| Nominal operating pressure                   | [bar] | 5.6  |      |      |      |
| Operating medium                             |       | Compressed air to ISO 8573-1:2010 [7:4:4]  |      |      |      |
| Note on operating/pilot medium               |       | Lubricated operation possible (in which case lubricated operation will always be required) |      |      |      |
| Ambient temperature                          | [°C]  | -20 ... 80   |      |      |      |
| Corrosion resistance class CRC <sup>1)</sup> |       | 2  |      |      |      |
| Process valve connection to standard         |       | ISO 5211   |      |      |      |
| Valve connection conforms to standard        |       | VDI/VDE 3845 (NAMUR)   |      |      |      |
| Safety integrity level (SIL)                 |       | Up to SIL 2 high demand mode   |      |      |      |
|  |       | Up to SIL 2 low demand mode  |      |      |      |

1) Corrosion resistance class CRC 2 to Festo standard FN 940070

Moderate corrosion stress. Indoor applications in which condensation can occur. External visible parts with primarily decorative surface requirements which are in direct contact with a normal industrial environment.

| ATEX                                       |   |
|--|---|
| ATEX category for gas                      | II 2G                                       |
| Type of ignition protection for gas        | Ex h IICT6 ... T3 Gb X                      |
| ATEX category for dust                     | II 2D                                       |
| Type of ignition protection for dust       | Ex h IIICT85°C ... T200°C Db X              |
| Explosion-proof ambient temperature        | -50°C ≤ Ta ≤ +60°C                          |
| CE marking (see declaration of conformity) | To EU Explosion Protection Directive (ATEX) |

| Materials              |                         | Material number |
|------------------------|-------------------------|-----------------|
| Quarter turn actuators |                         |                 |
| Housing                | Wrought aluminium alloy | -               |
| Cover                  | Wrought aluminium alloy | -               |
| Shaft                  | High-alloy steel        | 1.4305          |
| External screws        | High-alloy steel        | -               |
| Seals                  | FPM, NBR, PUR           | -               |
| Note on materials      | RoHS-compliant          | -               |

## Data sheet


| Pressure ranges [bar]      |                     |                    |                            |                     |                    |
|----------------------------|---------------------|--------------------|----------------------------|---------------------|--------------------|
| Type                       | Connection pressure | Operating pressure | Type                       | Connection pressure | Operating pressure |
| <b>Size 0053</b>           |                     |                    | <b>Size 0480</b>           |                     |                    |
| DAPS-0053-090-RS1-F0507-MW | 2.8                 | 2.8 ... 8.4        | DAPS-0480-090-RS1-F1012-MW | 2.8                 | 2.8 ... 8.4        |
| DAPS-0053-090-RS2-F0507-MW | 3.5                 | 3.5 ... 8.4        | DAPS-0480-090-RS1-F14-MW   | 2.8                 | 2.8 ... 8.4        |
| DAPS-0053-090-RS3-F0507-MW | 4.2                 | 4.2 ... 8.4        | DAPS-0480-090-RS2-F1012-MW | 3.5                 | 3.5 ... 8.4        |
| DAPS-0053-090-RS4-F0507-MW | 5.6                 | 5.6 ... 8.4        | DAPS-0480-090-RS2-F14-MW   | 3.5                 | 3.5 ... 8.4        |
| <b>Size 0090</b>           |                     |                    | <b>Size 0720</b>           |                     |                    |
| DAPS-0090-090-RS1-F0710-MW | 2.8                 | 2.8 ... 8.4        | DAPS-0720-090-RS1-F12-MW   | 2.8                 | 2.8 ... 8.4        |
| DAPS-0090-090-RS2-F0710-MW | 3.5                 | 3.5 ... 8.4        | DAPS-0720-090-RS1-F14-MW   | 2.8                 | 2.8 ... 8.4        |
| DAPS-0090-090-RS3-F0710-MW | 4.2                 | 4.2 ... 8.4        | DAPS-0720-090-RS2-F12-MW   | 3.5                 | 3.5 ... 8.4        |
| DAPS-0090-090-RS4-F0710-MW | 5.6                 | 5.6 ... 8.4        | DAPS-0720-090-RS2-F14-MW   | 3.5                 | 3.5 ... 8.4        |
| <b>Size 0120</b>           |                     |                    | <b>Size 0960</b>           |                     |                    |
| DAPS-0120-090-RS1-F0710-MW | 2.8                 | 2.8 ... 8.4        | DAPS-0960-090-RS1-F1216-MW | 2.8                 | 2.8 ... 8.4        |
| DAPS-0120-090-RS2-F0710-MW | 3.5                 | 3.5 ... 8.4        | DAPS-0960-090-RS1-F14-MW   | 2.8                 | 2.8 ... 8.4        |
| DAPS-0120-090-RS3-F0710-MW | 4.2                 | 4.2 ... 8.4        | DAPS-0960-090-RS2-F1216-MW | 3.5                 | 3.5 ... 8.4        |
| DAPS-0120-090-RS4-F0710-MW | 5.6                 | 5.6 ... 8.4        | DAPS-0960-090-RS2-F14-MW   | 3.5                 | 3.5 ... 8.4        |
| <b>Size 0180</b>           |                     |                    | <b>Size 0960</b>           |                     |                    |
| DAPS-0180-090-RS1-F0710-MW | 2.8                 | 2.8 ... 8.4        | DAPS-0960-090-RS3-F1216-MW | 4.2                 | 4.2 ... 8.4        |
| DAPS-0180-090-RS2-F0710-MW | 3.5                 | 3.5 ... 8.4        | DAPS-0960-090-RS3-F14-MW   | 4.2                 | 4.2 ... 8.4        |
| DAPS-0180-090-RS3-F0710-MW | 4.2                 | 4.2 ... 8.4        | DAPS-0960-090-RS4-F1216-MW | 5.6                 | 5.6 ... 8.4        |
| DAPS-0180-090-RS4-F0710-MW | 5.6                 | 5.6 ... 8.4        | DAPS-0960-090-RS4-F14-MW   | 5.6                 | 5.6 ... 8.4        |
| <b>Size 0240</b>           |                     |                    |                            |                     |                    |
| DAPS-0240-090-RS1-F1012-MW | 2.8                 | 2.8 ... 8.4        |                            |                     |                    |
| DAPS-0240-090-RS2-F1012-MW | 3.5                 | 3.5 ... 8.4        |                            |                     |                    |
| DAPS-0240-090-RS3-F1012-MW | 4.2                 | 4.2 ... 8.4        |                            |                     |                    |
| DAPS-0240-090-RS4-F1012-MW | 5.6                 | 5.6 ... 8.4        |                            |                     |                    |
| <b>Size 0360</b>           |                     |                    |                            |                     |                    |
| DAPS-0360-090-RS1-F1012-MW | 2.8                 | 2.8 ... 8.4        |                            |                     |                    |
| DAPS-0360-090-RS2-F1012-MW | 3.5                 | 3.5 ... 8.4        |                            |                     |                    |
| DAPS-0360-090-RS3-F1012-MW | 4.2                 | 4.2 ... 8.4        |                            |                     |                    |
| DAPS-0360-090-RS4-F1012-MW | 5.6                 | 5.6 ... 8.4        |                            |                     |                    |

| Air consumption [l/cycle 0°-nominal swivel angle-0°] at 6 bar |      |      |      |
|---|------|------|------|
| Size  |      | Size |      |
| 0053  | 2.1  | 0360 | 14   |
| 0090  | 3.9  | 0480 | 19.6 |
| 0120  | 5.6  | 0720 | 29.4 |
| 0180  | 7    | 0960 | 41.3 |
| 0240  | 10.5 |      |      |

| Weight [g] |       |      |       |
|------------|-------|------|-------|
| Size       |       | Size |       |
| 0053       | 4500  | 0360 | 19500 |
| 0090       | 6800  | 0480 | 28100 |
| 0120       | 9000  | 0720 | 38800 |
| 0180       | 11700 | 0960 | 50600 |
| 0240       | 15200 |      |       |

Data sheet

| Actual torque [Nm] as a function of operating pressure [bar], spring force and swivel angle [°] |                    |      |       |                          |      |      |      |      |      |       |      |      |       |      |      |      |      |       |
|---|--------------------|------|-------|--------------------------|------|------|------|------|------|-------|------|------|-------|------|------|------|------|-------|
| Spring force  | Spring torque [Nm] |      |       | Operating pressure [bar] |      |      |      |      |      |       |      |      |       |      |      |      |      |       |
|   |                    |      |       | 2.5                      |      |      | 2.8  |      |      | 3     |      |      | 3.5   |      |      | 4.2  |      |       |
|   | 0°                 | 50°  | 90°   | 0°                       | 50°  | 90°  | 0°   | 50°  | 90°  | 0°    | 50°  | 90°  | 0°    | 50°  | 90°  | 0°   | 50°  | 90°   |
| <b>DAPS-0053</b>  |                    |      |       |                          |      |      |      |      |      |       |      |      |       |      |      |      |      |       |
| 1   | 17.5               | 13   | 26.5  | 20.2                     | 9.3  | 11.2 | 26.5 | 13   | 17.5 | 29.6  | 14.9 | 20.6 | 37.5  | 19.5 | 28.5 | 48.5 | 26   | 39.5  |
| 2   | 22                 | 16.5 | 33    | -                        | -    | -    | -    | -    | -    | 25.1  | 11.8 | 14.1 | 33    | 16.5 | 22   | 44   | 23.1 | 33    |
| 3   | 26                 | 19.5 | 40    | -                        | -    | -    | -    | -    | -    | -     | -    | -    | 29    | 13   | 15   | 40   | 19.5 | 26    |
| 4   | 35                 | 26   | 53    | -                        | -    | -    | -    | -    | -    | -     | -    | -    | -     | -    | -    | -    | -    | -     |
| <b>DAPS-0090</b>  |                    |      |       |                          |      |      |      |      |      |       |      |      |       |      |      |      |      |       |
| 1   | 30                 | 22.5 | 45    | 34.3                     | 16.1 | 19.3 | 45   | 22.5 | 30   | 50.4  | 25.7 | 35.4 | 63.8  | 33.8 | 48.8 | 82.5 | 45   | 67.5  |
| 2   | 37.5               | 28.1 | 56.3  | -                        | -    | -    | -    | -    | -    | 42.9  | 20.1 | 24.1 | 56.3  | 28.1 | 37.5 | 75.1 | 39.4 | 56.3  |
| 3   | 45                 | 33.9 | 67.5  | -                        | -    | -    | -    | -    | -    | -     | -    | -    | 48.8  | 22.6 | 26.3 | 67.5 | 33.9 | 45    |
| 4   | 60                 | 45   | 90    | -                        | -    | -    | -    | -    | -    | -     | -    | -    | -     | -    | -    | -    | -    | -     |
| <b>DAPS_0120</b>  |                    |      |       |                          |      |      |      |      |      |       |      |      |       |      |      |      |      |       |
| 1   | 40                 | 30   | 60    | 45.7                     | 21.4 | 25.7 | 60   | 30   | 40   | 67.1  | 34.3 | 47.1 | 85    | 45   | 65   | 110  | 60   | 90    |
| 2   | 50                 | 37.5 | 75    | -                        | -    | -    | -    | -    | -    | 57.1  | 26.8 | 32.1 | 75    | 37.5 | 50   | 100  | 52.5 | 75    |
| 3   | 60                 | 45   | 90    | -                        | -    | -    | -    | -    | -    | -     | -    | -    | 65    | 30   | 35   | 90   | 45   | 60    |
| 4   | 80                 | 60   | 120   | -                        | -    | -    | -    | -    | -    | -     | -    | -    | -     | -    | -    | -    | -    | -     |
| <b>DAPS_0180</b>  |                    |      |       |                          |      |      |      |      |      |       |      |      |       |      |      |      |      |       |
| 1   | 60                 | 45   | 90    | 68.6                     | 32.1 | 38.6 | 90   | 45   | 60   | 100.7 | 51.4 | 70.7 | 127.5 | 67.5 | 97.5 | 165  | 90   | 135   |
| 2   | 75                 | 56.3 | 112.5 | -                        | -    | -    | -    | -    | -    | 85.7  | 40.2 | 48.2 | 112.5 | 56.3 | 75   | 150  | 78.8 | 112.5 |
| 3   | 90                 | 67.5 | 135   | -                        | -    | -    | -    | -    | -    | -     | -    | -    | 97.5  | 45   | 52.5 | 135  | 67.5 | 90    |
| 4   | 120                | 90   | 180   | -                        | -    | -    | -    | -    | -    | -     | -    | -    | -     | -    | -    | -    | -    | -     |
| <b>DAPS_0240</b>  |                    |      |       |                          |      |      |      |      |      |       |      |      |       |      |      |      |      |       |
| 1   | 80                 | 60   | 120   | 91.4                     | 42.9 | 51.4 | 120  | 60   | 80   | 134.3 | 68.6 | 94.3 | 170   | 90   | 130  | 220  | 120  | 180   |
| 2   | 100                | 75   | 150   | -                        | -    | -    | -    | -    | -    | 114.3 | 53.6 | 64.3 | 150   | 75   | 100  | 200  | 105  | 150   |
| 3   | 120                | 90   | 180   | -                        | -    | -    | -    | -    | -    | -     | -    | -    | 130   | 60   | 70   | 180  | 90   | 120   |
| 4   | 160                | 120  | 240   | -                        | -    | -    | -    | -    | -    | -     | -    | -    | -     | -    | -    | -    | -    | -     |


 **Note**  
 The operating torque of the actuator must not be greater than the maximum permissible torque listed in ISO 5211 in relation to the size of the mounting flange and of the coupling.



## Data sheet

| Actual torque [Nm] as a function of operating pressure [bar], spring force and swivel angle [°] |                    |      |       |                          |       |       |       |       |       |       |       |       |       |       |      |       |       |       |
|---|--------------------|------|-------|--------------------------|-------|-------|-------|-------|-------|-------|-------|-------|-------|-------|------|-------|-------|-------|
| Spring force  | Spring torque [Nm] |      |       | Operating pressure [bar] |       |       |       |       |       |       |       |       |       |       |      |       |       |       |
|   |                    |      |       | 5                        |       |       | 5.6   |       |       | 6     |       |       | 7     |       |      | 8     |       |       |
|   | 0°                 | 50°  | 90°   | 0°                       | 50°   | 90°   | 0°    | 50°   | 90°   | 0°    | 50°   | 90°   | 0°    | 50°   | 90°  | 0°    | 50°   | 90°   |
| <b>DAPS-0053</b>  |                    |      |       |                          |       |       |       |       |       |       |       |       |       |       |      |       |       |       |
| 1   | 17.5               | 13   | 26.5  | –                        | –     | –     | –     | –     | –     | –     | –     | –     | –     | –     | –    | –     | –     | –     |
| 2   | 22                 | 16.5 | 33    | 56.6                     | 30.6  | 45.6  | 66    | 36.3  | 55    | –     | –     | –     | –     | –     | –    | –     | –     | –     |
| 3   | 26                 | 19.5 | 40    | 52.6                     | 26.9  | 38.6  | 62    | 32.5  | 48    | 68.3  | 36.2  | 54.3  | 84    | 45.5  | 70   | 99.7  | 54.8  | 85.7  |
| 4   | 35                 | 26   | 53    | 43.6                     | 20.4  | 25.6  | 53    | 26    | 35    | 59.3  | 29.7  | 41.3  | 75    | 39    | 57   | 90.7  | 48.3  | 72.7  |
| <b>DAPS-0090</b>  |                    |      |       |                          |       |       |       |       |       |       |       |       |       |       |      |       |       |       |
| 1   | 30                 | 22.5 | 45    | –                        | –     | –     | –     | –     | –     | –     | –     | –     | –     | –     | –    | –     | –     | –     |
| 2   | 37.5               | 28.1 | 56.3  | 96.5                     | 52.2  | 77.7  | 112.6 | 61.9  | 93.8  | –     | –     | –     | –     | –     | –    | –     | –     | –     |
| 3   | 45                 | 33.9 | 67.5  | 88.9                     | 46.8  | 66.4  | 105   | 56.5  | 82.5  | 115.7 | 63    | 93.2  | 142.5 | 79.1  | 120  | 169.3 | 95.2  | 146.8 |
| 4   | 60                 | 45   | 90    | 73.9                     | 35.4  | 43.9  | 90    | 45    | 60    | 100.7 | 51.4  | 70.7  | 127.5 | 67.5  | 97.5 | 154.3 | 83.6  | 124.3 |
| <b>DAPS-0120</b>  |                    |      |       |                          |       |       |       |       |       |       |       |       |       |       |      |       |       |       |
| 1   | 40                 | 30   | 60    | –                        | –     | –     | –     | –     | –     | –     | –     | –     | –     | –     | –    | –     | –     | –     |
| 2   | 50                 | 37.5 | 75    | 128.6                    | 69.6  | 103.6 | 150   | 82.5  | 125   | –     | –     | –     | –     | –     | –    | –     | –     | –     |
| 3   | 60                 | 45   | 90    | 118.6                    | 62.1  | 88.6  | 140   | 75    | 110   | 154.3 | 83.6  | 124.3 | 190   | 105   | 160  | 225.7 | 126.4 | 195.7 |
| 4   | 80                 | 60   | 120   | 98.6                     | 47.1  | 58.6  | 120   | 60    | 80    | 134.3 | 68.6  | 94.3  | 170   | 90    | 130  | 205.7 | 111.4 | 165.7 |
| <b>DAPS_0180</b>  |                    |      |       |                          |       |       |       |       |       |       |       |       |       |       |      |       |       |       |
| 1   | 60                 | 45   | 90    | –                        | –     | –     | –     | –     | –     | –     | –     | –     | –     | –     | –    | –     | –     | –     |
| 2   | 75                 | 56.3 | 112.5 | 192.9                    | 104.5 | 155.4 | 225   | 123.8 | 187.5 | –     | –     | –     | –     | –     | –    | –     | –     | –     |
| 3   | 90                 | 67.5 | 135   | 177.9                    | 93.2  | 132.9 | 210   | 112.5 | 165   | 231.4 | 125.4 | 186.4 | 285   | 157.5 | 240  | 338.6 | 189.6 | 293.6 |
| 4   | 120                | 90   | 180   | 147.9                    | 70.7  | 87.9  | 180   | 90    | 120   | 201.4 | 102.9 | 141.4 | 255   | 135   | 195  | 308.6 | 167.1 | 248.6 |
| <b>DAPS_0240</b>  |                    |      |       |                          |       |       |       |       |       |       |       |       |       |       |      |       |       |       |
| 1   | 80                 | 60   | 120   | –                        | –     | –     | –     | –     | –     | –     | –     | –     | –     | –     | –    | –     | –     | –     |
| 2   | 100                | 75   | 150   | 257.1                    | 139.3 | 207.1 | 300   | 165   | 250   | –     | –     | –     | –     | –     | –    | –     | –     | –     |
| 3   | 120                | 90   | 180   | 237.1                    | 124.3 | 177.1 | 280   | 150   | 220   | 308.6 | 167.1 | 248.6 | 380   | 210   | 320  | 451.4 | 252.9 | 391.4 |
| 4   | 160                | 120  | 240   | 197.1                    | 94.3  | 117.1 | 240   | 120   | 160   | 268.6 | 137.1 | 188.6 | 340   | 180   | 260  | 411.4 | 222.9 | 331.4 |


Torque for size at 5.6 bar  
and swivel angle 0°

 **Note**

The operating torque of the actuator must not be greater than the maximum permissible torque listed in ISO 5211 in relation to the size of the mounting flange and of the coupling.

Data sheet

| Actual torque [Nm] as a function of operating pressure [bar], spring force and swivel angle [°] |                    |       |     |                          |       |       |     |     |     |       |       |       |     |       |     |     |       |     |
|---|--------------------|-------|-----|--------------------------|-------|-------|-----|-----|-----|-------|-------|-------|-----|-------|-----|-----|-------|-----|
| Spring force  | Spring torque [Nm] |       |     | Operating pressure [bar] |       |       |     |     |     |       |       |       |     |       |     |     |       |     |
|   |                    |       |     | 2.5                      |       |       | 2.8 |     |     | 3     |       |       | 3.5 |       |     | 4.2 |       |     |
|   | 0°                 | 50°   | 90° | 0°                       | 50°   | 90°   | 0°  | 50° | 90° | 0°    | 50°   | 90°   | 0°  | 50°   | 90° | 0°  | 50°   | 90° |
| <b>DAPS-0360</b>  |                    |       |     |                          |       |       |     |     |     |       |       |       |     |       |     |     |       |     |
| 1   | 120                | 90    | 180 | 137.1                    | 64.3  | 77.1  | 180 | 90  | 120 | 201.4 | 102.9 | 141.4 | 255 | 135   | 195 | 330 | 180   | 270 |
| 2   | 150                | 112.5 | 225 | -                        | -     | -     | -   | -   | -   | 171.4 | 80.4  | 96.4  | 225 | 112.5 | 150 | 300 | 157.5 | 225 |
| 3   | 180                | 135   | 270 | -                        | -     | -     | -   | -   | -   | -     | -     | -     | 195 | 90    | 105 | 270 | 135   | 180 |
| 4   | 240                | 180   | 360 | -                        | -     | -     | -   | -   | -   | -     | -     | -     | -   | -     | -   | -   | -     | -   |
| <b>DAPS-0480</b>  |                    |       |     |                          |       |       |     |     |     |       |       |       |     |       |     |     |       |     |
| 1   | 160                | 120   | 240 | 182.9                    | 85.7  | 102.9 | 240 | 120 | 160 | 268.6 | 137.1 | 188.6 | 340 | 180   | 260 | 440 | 240   | 360 |
| 2   | 200                | 150   | 300 | -                        | -     | -     | -   | -   | -   | 228.6 | 107.1 | 128.6 | 300 | 150   | 200 | 400 | 210   | 300 |
| 3   | 240                | 180   | 360 | -                        | -     | -     | -   | -   | -   | -     | -     | -     | 260 | 120   | 140 | 360 | 180   | 240 |
| 4   | 320                | 240   | 480 | -                        | -     | -     | -   | -   | -   | -     | -     | -     | -   | -     | -   | -   | -     | -   |
| <b>DAPS_0720</b>  |                    |       |     |                          |       |       |     |     |     |       |       |       |     |       |     |     |       |     |
| 1   | 240                | 180   | 360 | 274.3                    | 128.6 | 154.3 | 360 | 180 | 240 | 402.9 | 205.7 | 282.9 | 510 | 270   | 390 | 660 | 360   | 540 |
| 2   | 300                | 225   | 450 | -                        | -     | -     | -   | -   | -   | 342.9 | 160.7 | 192.9 | 450 | 225   | 300 | 600 | 315   | 450 |
| 3   | 360                | 270   | 540 | -                        | -     | -     | -   | -   | -   | -     | -     | -     | 390 | 180   | 210 | 540 | 270   | 360 |
| 4   | 480                | 360   | 720 | -                        | -     | -     | -   | -   | -   | -     | -     | -     | -   | -     | -   | -   | -     | -   |
| <b>DAPS_0960</b>  |                    |       |     |                          |       |       |     |     |     |       |       |       |     |       |     |     |       |     |
| 1   | 320                | 240   | 480 | 366                      | 171   | 206   | 480 | 240 | 320 | 537   | 274   | 377   | 680 | 360   | 520 | 880 | 480   | 720 |
| 2   | 400                | 300   | 600 | -                        | -     | -     | -   | -   | -   | 457   | 214   | 257   | 600 | 300   | 400 | 800 | 420   | 600 |
| 3   | 480                | 360   | 720 | -                        | -     | -     | -   | -   | -   | -     | -     | -     | 520 | 240   | 280 | 720 | 360   | 480 |
| 4   | 640                | 480   | 960 | -                        | -     | -     | -   | -   | -   | -     | -     | -     | -   | -     | -   | -   | -     | -   |

 **Note**  
 The operating torque of the actuator must not be greater than the maximum permissible torque listed in ISO 5211 in relation to the size of the mounting flange and of the coupling.

## Data sheet

| Actual torque [Nm] as a function of operating pressure [bar], spring force and swivel angle [°] |                    |       |     |                          |       |       |      |       |      |       |       |       |      |     |      |       |       |       |
|---|--------------------|-------|-----|--------------------------|-------|-------|------|-------|------|-------|-------|-------|------|-----|------|-------|-------|-------|
| Spring force  | Spring torque [Nm] |       |     | Operating pressure [bar] |       |       |      |       |      |       |       |       |      |     |      |       |       |       |
|   |                    |       |     | 5                        |       |       | 5.6  |       |      | 6     |       |       | 7    |     |      | 8     |       |       |
|   | 0°                 | 50°   | 90° | 0°                       | 50°   | 90°   | 0°   | 50°   | 90°  | 0°    | 50°   | 90°   | 0°   | 50° | 90°  | 0°    | 50°   | 90°   |
| <b>DAPS-0360</b>  |                    |       |     |                          |       |       |      |       |      |       |       |       |      |     |      |       |       |       |
| 1   | 120                | 90    | 180 | –                        |       |       | –    |       |      | –     |       |       | –    |     |      | –     |       |       |
| 2   | 150                | 112.5 | 225 | 385.7                    | 208.9 | 310.7 | 450  | 247.5 | 375  | –     |       |       | –    |     |      | –     |       |       |
| 3   | 180                | 135   | 270 | 355.7                    | 186.4 | 265.7 | 420  | 225   | 330  | 462.9 | 250.7 | 372.9 | 570  | 315 | 480  | 677.1 | 379.3 | 587.1 |
| 4   | 240                | 180   | 360 | 295.7                    | 141.4 | 175.7 | 360  | 180   | 240  | 402.9 | 205.7 | 282.9 | 510  | 270 | 390  | 617.1 | 334.3 | 497.1 |
| <b>DAPS-0480</b>  |                    |       |     |                          |       |       |      |       |      |       |       |       |      |     |      |       |       |       |
| 1   | 160                | 120   | 240 | –                        |       |       | –    |       |      | –     |       |       | –    |     |      | –     |       |       |
| 2   | 200                | 150   | 300 | 514.3                    | 278.6 | 414.3 | 600  | 330   | 500  | –     |       |       | –    |     |      | –     |       |       |
| 3   | 240                | 180   | 360 | 474.3                    | 248.6 | 354.3 | 560  | 300   | 440  | 617.1 | 334.3 | 497.1 | 760  | 420 | 640  | 902.9 | 505.7 | 782.9 |
| 4   | 320                | 240   | 480 | 394.3                    | 188.6 | 234.3 | 480  | 240   | 320  | 537.1 | 274.3 | 377.1 | 680  | 360 | 520  | 822.9 | 445.7 | 662.9 |
| <b>DAPS-0720</b>  |                    |       |     |                          |       |       |      |       |      |       |       |       |      |     |      |       |       |       |
| 1   | 240                | 180   | 360 | –                        |       |       | –    |       |      | –     |       |       | –    |     |      | –     |       |       |
| 2   | 300                | 225   | 450 | 771.4                    | 417.9 | 621.4 | 900  | 495   | 750  | –     |       |       | –    |     |      | –     |       |       |
| 3   | 360                | 270   | 540 | 711.4                    | 372.9 | 531.4 | 840  | 450   | 660  | 925.7 | 501.4 | 745.7 | 1140 | 630 | 960  | 1354  | 758.6 | 1174  |
| 4   | 480                | 360   | 720 | 591.4                    | 282.9 | 351.4 | 720  | 360   | 480  | 805.7 | 411.4 | 565.7 | 1020 | 540 | 780  | 1234  | 668.6 | 994.3 |
| <b>DAPS_0960</b>  |                    |       |     |                          |       |       |      |       |      |       |       |       |      |     |      |       |       |       |
| 1   | 320                | 240   | 480 | –                        |       |       | –    |       |      | –     |       |       | –    |     |      | –     |       |       |
| 2   | 400                | 300   | 600 | 1029                     | 557   | 829   | 1200 | 660   | 1000 | –     |       |       | –    |     |      | –     |       |       |
| 3   | 480                | 360   | 720 | 949                      | 497   | 709   | 1120 | 600   | 880  | 1234  | 669   | 994   | 1520 | 840 | 1280 | 1806  | 1011  | 1566  |
| 4   | 640                | 480   | 960 | 789                      | 377   | 469   | 960  | 480   | 640  | 1074  | 549   | 754   | 1360 | 720 | 1040 | 1646  | 891   | 1326  |

■ Torque for size at 5.6 bar and swivel angle 0°

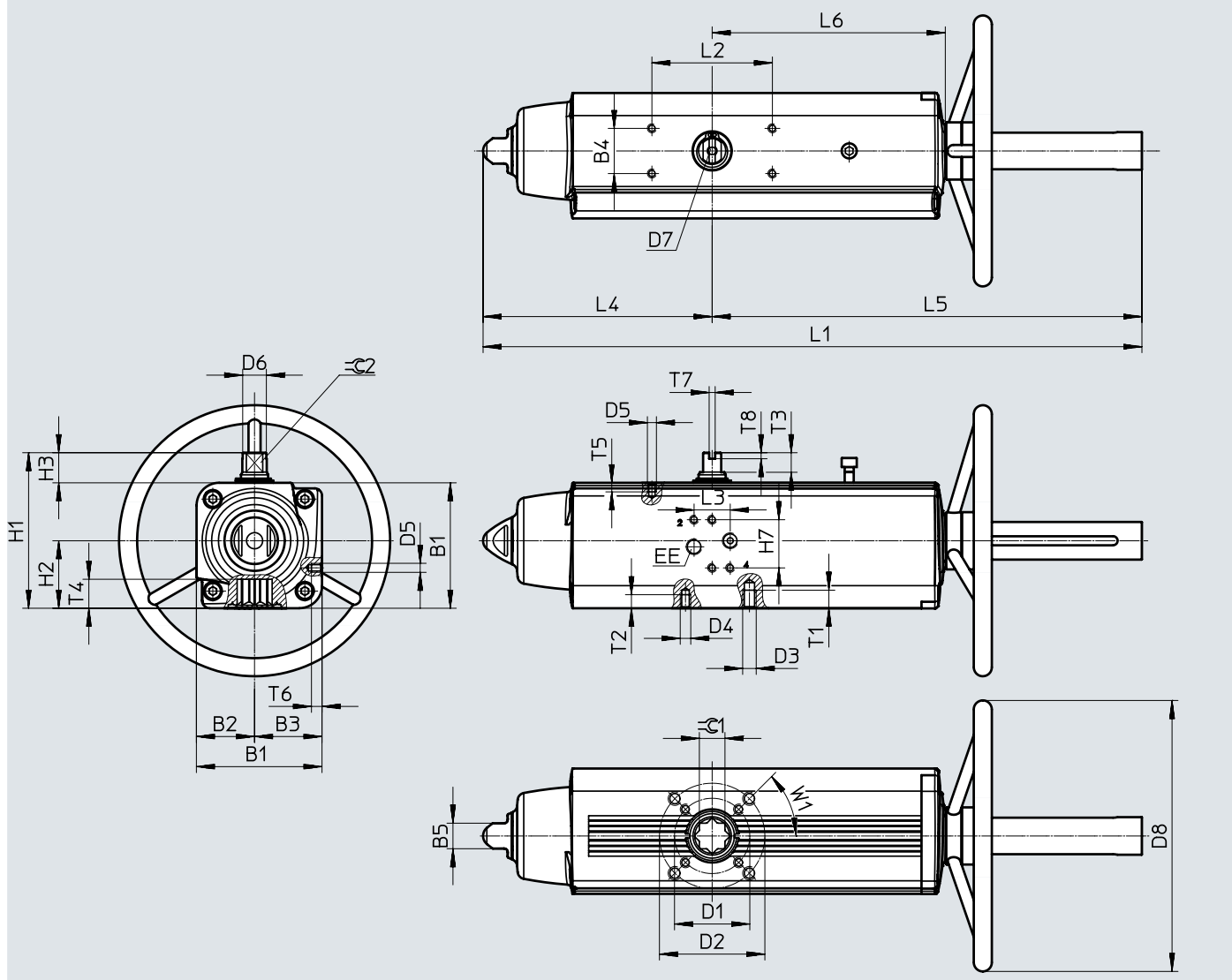
⚠ **Note**

The operating torque of the actuator must not be greater than the maximum permissible torque listed in ISO 5211 in relation to the size of the mounting flange and of the coupling.

Data sheet

Dimensions

Download CAD data → [www.festo.com](http://www.festo.com)



## Data sheet

| Size                    | B1<br>±0.4 | B2   | B3    | B4 | B5 | D1<br>∅ | D2<br>∅ | D3  | D4  | D5 | D6<br>∅ | D7    |
|-------------------------|------------|------|-------|----|----|---------|---------|-----|-----|----|---------|-------|
| DAPS-0053-...-F0507-... | 83.3       | 38.5 | 44.8  | 30 | 17 | 50      | 70      | M8  | M6  | M5 | 16.2    | M6x12 |
| DAPS-0090-...-F0710-... | 107.5      | 51   | 56.5  | 30 | 22 | 70      | 102     | M10 | M8  | M5 | 20.2    | M6x12 |
| DAPS-0120-...-F0710-... | 111.1      | 51   | 60.1  | 30 | 22 | 70      | 102     | M10 | M8  | M5 | 22.5    | M6x12 |
| DAPS-0180-...-F0710-... | 118        | 56   | 62    | 30 | 22 | 70      | 102     | M10 | M8  | M5 | 25.5    | M6x12 |
| DAPS-0240-...-F1012-... | 134.9      | 62   | 72.9  | 30 | 27 | 102     | 125     | M12 | M10 | M5 | 29      | M6x12 |
| DAPS-0360-...-F1012-... | 148        | 69.5 | 78.5  | 30 | 27 | 102     | 125     | M12 | M10 | M5 | 31.8    | M6x12 |
| DAPS-0480-...-F1012-... | 168        | 74.5 | 93.5  | 30 | 27 | 102     | 125     | M12 | M10 | M5 | 36.5    | M6x12 |
| DAPS-0480-...-F14-...   | 168        | 74.5 | 93.5  | 30 | 27 | -       | 140     | M16 | -   | M5 | 36.5    | M6x12 |
| DAPS-0720-...-F12-...   | 186        | 84.5 | 101.5 | 30 | 36 | -       | 125     | M12 | -   | M5 | 41      | M6x12 |
| DAPS-0720-...-F14-...   | 186        | 84.5 | 101.5 | 30 | 36 | -       | 140     | M16 | -   | M5 | 41      | M6x12 |
| DAPS-0960-...-F14-...   | 207.7      | 93   | 114.7 | 30 | 36 | -       | 140     | M16 | -   | M5 | 46      | M6x12 |
| DAPS-0960-...-F1216-... | 207.7      | 93   | 114.7 | 30 | 36 | 125     | 165     | M20 | M12 | M5 | 46      | M6x12 |

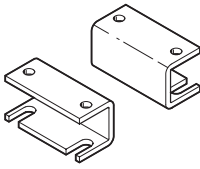
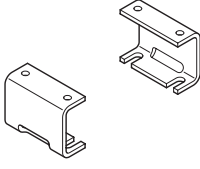
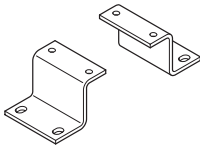
| Size                    | D8<br>∅ | EE   | H1    | H2    | H3     | H7 | L1<br>±2 | L2 | L3 | L4    | L5    | L6    |
|-------------------------|---------|------|-------|-------|--------|----|----------|----|----|-------|-------|-------|
| DAPS-0053-...-F0507-... | 180     | G1/8 | 103.3 | 44.8  | 20±0.4 | 32 | 437.5    | 80 | 24 | 152.1 | 279.3 | 154.8 |
| DAPS-0090-...-F0710-... | 220     | G1/8 | 137.5 | 56.5  | 30±0.4 | 32 | 545.1    | 80 | 24 | 196.8 | 338.1 | 183.5 |
| DAPS-0120-...-F0710-... | 220     | G1/8 | 141.1 | 60.1  | 30±0.4 | 32 | 568.6    | 80 | 24 | 204.8 | 353.7 | 199.1 |
| DAPS-0180-...-F0710-... | 300     | G1/8 | 148   | 62    | 30±0.4 | 32 | 646.1    | 80 | 24 | 237   | 398   | 220.8 |
| DAPS-0240-...-F1012-... | 300     | G1/4 | 164.9 | 72.9  | 30±0.4 | 32 | 685.2    | 80 | 24 | 260.2 | 440.6 | 236.4 |
| DAPS-0360-...-F1012-... | 350     | G1/4 | 178   | 78.5  | 30±0.4 | 32 | 822.8    | 80 | 24 | 306.6 | 503.5 | 282.3 |
| DAPS-0480-...-F1012-... | 350     | G1/4 | 198   | 93.5  | 30±0.5 | 32 | 854.6    | 80 | 24 | 324.1 | 518.3 | 297.1 |
| DAPS-0480-...-F14-...   | 350     | G1/4 | 198   | 93.5  | 30±0.5 | 32 | 854.6    | 80 | 24 | 324.1 | 518.3 | 297.1 |
| DAPS-0720-...-F12-...   | 400     | G1/4 | 216   | 101.5 | 30±0.5 | 32 | 1052.4   | 80 | 24 | 399   | 636.4 | 365.6 |
| DAPS-0720-...-F14-...   | 400     | G1/4 | 216   | 101.5 | 30±0.5 | 32 | 1052.4   | 80 | 24 | 399   | 636.4 | 365.6 |
| DAPS-0960-...-F14-...   | 400     | G1/4 | 237.7 | 114.7 | 30±0.8 | 32 | 1084     | 80 | 24 | 414   | 653.7 | 382.9 |
| DAPS-0960-...-F1216-... | 400     | G1/4 | 237.7 | 114.7 | 30±0.8 | 32 | 1084     | 80 | 24 | 414   | 653.7 | 382.9 |

| Size                    | T1 | T2 | T3   | T4       | T5 | T6 | T7<br>+0.1 | T8<br>+0.3 | ≈C 1<br>H11 | ≈C 2<br>h11 | W1  |
|-------------------------|----|----|------|----------|----|----|------------|------------|-------------|-------------|-----|
| DAPS-0053-...-F0507-... | 12 | 9  | 13   | 19.3±0.4 | 6  | 7  | 4          | 4          | 17          | 12          | 45° |
| DAPS-0090-...-F0710-... | 15 | 12 | 16   | 24.8±0.4 | 6  | 7  | 4          | 4          | 22          | 15          | 45° |
| DAPS-0120-...-F0710-... | 15 | 12 | 17   | 24.8±0.4 | 6  | 7  | 4          | 4          | 22          | 15          | 45° |
| DAPS-0180-...-F0710-... | 15 | 12 | 19   | 24.3±0.4 | 6  | 7  | 4          | 4          | 22          | 19          | 45° |
| DAPS-0240-...-F1012-... | 18 | 15 | 19   | 29.5±0.4 | 6  | 7  | 4          | 4          | 27          | 19          | 45° |
| DAPS-0360-...-F1012-... | 18 | 15 | 19.5 | 29.5±0.4 | 6  | 7  | 4          | 4          | 27          | 22          | 45° |
| DAPS-0480-...-F1012-... | 18 | 15 | 19.5 | 38.5±0.5 | 6  | 7  | 4          | 4          | 36          | 24          | 45° |
| DAPS-0480-...-F14-...   | 24 | -  | 19.5 | 38.5±0.5 | 6  | 7  | 4          | 4          | 36          | 24          | 45° |
| DAPS-0720-...-F12-...   | 18 | -  | 19.5 | 38.5±0.5 | 6  | 7  | 4          | 4          | 36          | 27          | 45° |
| DAPS-0720-...-F14-...   | 24 | -  | 19.5 | 38.5±0.5 | 6  | 7  | 4          | 4          | 36          | 27          | 45° |
| DAPS-0960-...-F14-...   | 24 | -  | 18.5 | 48.5±0.8 | 6  | 7  | 4          | 4          | 46          | 32          | 45° |
| DAPS-0960-...-F1216-... | 30 | 18 | 18.5 | 48.5±0.8 | 6  | 7  | 4          | 4          | 46          | 32          | 45° |

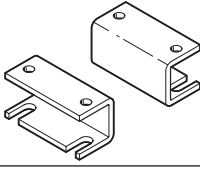
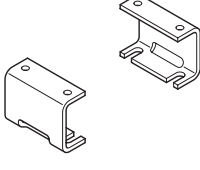
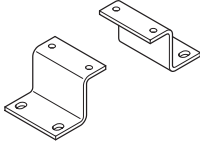
Data sheet

| Ordering data – Single-acting |                            |                  |                            |
|-------------------------------|----------------------------|------------------|----------------------------|
| Part no.                      | Type                       | Part no.         | Type                       |
| <b>Size 0053</b>              |                            | <b>Size 480</b>  |                            |
| 8005026                       | DAPS-0053-090-RS1-F0507-MW | 8005050          | DAPS-0480-090-RS1-F1012-MW |
| 8005027                       | DAPS-0053-090-RS2-F0507-MW | 8005051          | DAPS-0480-090-RS1-F14-MW   |
| 8005028                       | DAPS-0053-090-RS3-F0507-MW | 8005052          | DAPS-0480-090-RS2-F1012-MW |
| 8005029                       | DAPS-0053-090-RS4-F0507-MW | 8005053          | DAPS-0480-090-RS2-F14-MW   |
|                               |                            | 8005054          | DAPS-0480-090-RS3-F1012-MW |
| <b>Size 0090</b>              |                            | 8005055          | DAPS-0480-090-RS3-F14-MW   |
| 8005030                       | DAPS-0090-090-RS1-F0710-MW | 8005056          | DAPS-0480-090-RS4-F1012-MW |
| 8005031                       | DAPS-0090-090-RS2-F0710-MW | 8005057          | DAPS-0480-090-RS4-F14-MW   |
| 8005032                       | DAPS-0090-090-RS3-F0710-MW |                  |                            |
| 8005033                       | DAPS-0090-090-RS4-F0710-MW | <b>Size 0720</b> |                            |
|                               |                            | 8005058          | DAPS-0720-090-RS1-F12-MW   |
| <b>Size 0120</b>              |                            | 8005059          | DAPS-0720-090-RS1-F14-MW   |
| 8005034                       | DAPS-0120-090-RS1-F0710-MW | 8005060          | DAPS-0720-090-RS2-F12-MW   |
| 8005035                       | DAPS-0120-090-RS2-F0710-MW | 8005061          | DAPS-0720-090-RS2-F14-MW   |
| 8005036                       | DAPS-0120-090-RS3-F0710-MW | 8005062          | DAPS-0720-090-RS3-F12-MW   |
| 8005037                       | DAPS-0120-090-RS4-F0710-MW | 8005063          | DAPS-0720-090-RS3-F14-MW   |
|                               |                            | 8005064          | DAPS-0720-090-RS4-F12-MW   |
| <b>Size 0180</b>              |                            | 8005065          | DAPS-0720-090-RS4-F14-MW   |
| 8005038                       | DAPS-0180-090-RS1-F0710-MW |                  |                            |
| 8005039                       | DAPS-0180-090-RS2-F0710-MW | <b>Size 0960</b> |                            |
| 8005040                       | DAPS-0180-090-RS3-F0710-MW | 8005067          | DAPS-0960-090-RS1-F1216-MW |
| 8005041                       | DAPS-0180-090-RS4-F0710-MW | 8005066          | DAPS-0960-090-RS1-F14-MW   |
|                               |                            | 8005069          | DAPS-0960-090-RS2-F1216-MW |
| <b>Size 0240</b>              |                            | 8005068          | DAPS-0960-090-RS2-F14-MW   |
| 8005042                       | DAPS-0240-090-RS1-F1012-MW | 8005071          | DAPS-0960-090-RS3-F1216-MW |
| 8005043                       | DAPS-0240-090-RS2-F1012-MW | 8005070          | DAPS-0960-090-RS3-F14-MW   |
| 8005044                       | DAPS-0240-090-RS3-F1012-MW | 8005073          | DAPS-0960-090-RS4-F1216-MW |
| 8005045                       | DAPS-0240-090-RS4-F1012-MW | 8005072          | DAPS-0960-090-RS4-F14-MW   |
|                               |                            |                  |                            |
| <b>Size 0360</b>              |                            |                  |                            |
| 8005046                       | DAPS-0360-090-RS1-F1012-MW |                  |                            |
| 8005047                       | DAPS-0360-090-RS2-F1012-MW |                  |                            |
| 8005048                       | DAPS-0360-090-RS3-F1012-MW |                  |                            |
| 8005049                       | DAPS-0360-090-RS4-F1012-MW |                  |                            |

Accessories

| Ordering data – Adapter kits for mounting the sensor boxes SRAP                    |                       |                 |                   |          |               |
|--|-----------------------|-----------------|-------------------|----------|---------------|
|  | Size                  | Dimensions [mm] | CRC <sup>1)</sup> | Part no. | Type          |
| <b>DAPS – Double-acting</b>  |                       |                 |                   |          |               |
|   | DAPS-0015- ... -F03   | 20x30x80        | 3                 | 568275   | DASB-P1-HA-SB |
|  | DAPS-0015- ... -F04   |                 |                   |          |               |
|  | DAPS-0030- ... -F0305 |                 |                   |          |               |
|  | DAPS-0030- ... -F04   |                 |                   |          |               |
|  | DAPS-0060- ... -F04   |                 |                   |          |               |
|  | DAPS-0060- ... -F0507 |                 |                   |          |               |
|   | DAPS-0180- ... -F0710 | 30x30x80        |                   | 572418   | DASB-P1-HB-SB |
|  | DAPS-0240- ... -F0710 |                 |                   |          |               |
|  | DAPS-0360- ... -F0710 |                 |                   |          |               |
|  | DAPS-0480- ... -F1012 |                 |                   |          |               |
|  | DAPS-0720- ... -F1012 |                 |                   |          |               |
|  | DAPS-0960- ... -F12   |                 |                   |          |               |
|  | DAPS-0960- ... -F14   |                 |                   |          |               |
|  | DAPS-1440- ... -F12   |                 |                   |          |               |
|  | DAPS-1440- ... -F14   |                 |                   |          |               |
|  | DAPS-1920- ... -F14   |                 |                   |          |               |
|  | DAPS-1920- ... -F1216 |                 |                   |          |               |
|  | DAPS-2880- ... -F16   | 30x30x130       |                   | 572419   | DASB-P1-HC-SB |
|  | DAPS-3840- ... -F16   |                 |                   |          |               |
|  | DAPS-5760- ... -F25   |                 |                   |          |               |
|  | DAPS-8000- ... -F25   |                 |                   |          |               |

1) Corrosion resistance class CRC 3 to Festo standard FN 940070  
 High corrosion stress. Outdoor exposure under moderate corrosive conditions. Externally visible parts with primarily functional surface requirements which are in direct contact with a normal industrial environment.

| Ordering data – Adapter kits for mounting the sensor boxes SRAP                     |                       |                 |                   |          |               |
|---|-----------------------|-----------------|-------------------|----------|---------------|
|   | Size                  | Dimensions [mm] | CRC <sup>1)</sup> | Part no. | Type          |
| <b>DAPS – Single-acting</b>   |                       |                 |                   |          |               |
|  | DAPS-0015- ... -F0305 | 20x30x80        | 3                 | 568275   | DASB-P1-HA-SB |
|   | DAPS-0015- ... -F04   |                 |                   |          |               |
|   | DAPS-0030- ... -F04   |                 |                   |          |               |
|   | DAPS-0030- ... -F0507 |                 |                   |          |               |
|   | DAPS-0053- ... -F0507 |                 |                   |          |               |
|  | DAPS-0090- ... -F0710 | 30x30x80        |                   | 572418   | DASB-P1-HB-SB |
|   | DAPS-0120- ... -F0710 |                 |                   |          |               |
|   | DAPS-0180- ... -F0710 |                 |                   |          |               |
|   | DAPS-0240- ... -F1012 |                 |                   |          |               |
|   | DAPS-0360- ... -F1012 |                 |                   |          |               |
|   | DAPS-0480- ... -F12   |                 |                   |          |               |
|   | DAPS-0480- ... -F14   |                 |                   |          |               |
|   | DAPS-0720- ... -F12   |                 |                   |          |               |
|   | DAPS-0720- ... -F14   |                 |                   |          |               |
|   | DAPS-0960- ... -F14   |                 |                   |          |               |
| DAPS-0960- ... -F1216   |                       |                 |                   |          |               |
|  | DAPS-1440- ... -F16   | 30x30x130       |                   | 572419   | DASB-P1-HC-SB |
|   | DAPS-1920- ... -F16   |                 |                   |          |               |
|   | DAPS-2880- ... -F16   |                 |                   |          |               |
|   | DAPS-4000- ... -F25   |                 |                   |          |               |

1) Corrosion resistance class CRC 3 to Festo standard FN 940070  
 High corrosion stress. Outdoor exposure under moderate corrosive conditions. Externally visible parts with primarily functional surface requirements which are in direct contact with a normal industrial environment.

# Festo - Your Partner in Automation



**1 Festo Inc.**  
5300 Explorer Drive  
Mississauga, ON L4W 5G4  
Canada

**Festo Customer Interaction Center**  
Tel: 1 877 463 3786  
Fax: 1 877 393 3786  
Email: [customer.service.ca@festo.com](mailto:customer.service.ca@festo.com)

**2 Festo Pneumatic**  
Av. Ceylán 3,  
Col. Tequesquináhuac  
54020 Tlalnepantla,  
Estado de México

**Multinational Contact Center**  
01 800 337 8669  
[ventas.mexico@festo.com](mailto:ventas.mexico@festo.com)

**3 Festo Corporation**  
1377 Motor Parkway  
Suite 310  
Islandia, NY 11749

**Festo Customer Interaction Center**  
1 800 993 3786  
1 800 963 3786  
[customer.service.us@festo.com](mailto:customer.service.us@festo.com)

**4 Regional Service Center**  
7777 Columbia Road  
Mason, OH 45040

Connect with us



[www.festo.com/socialmedia](http://www.festo.com/socialmedia)



[www.festo.com](http://www.festo.com)

Subject to change